

 **KAVALIER**

500 : 5ml
± 2,5ml In 20°C
500

450

900

800

SIMAX

LABORATORY GLASSWARE
LABORGLAS

SIMAX[®]
Glass that Lasts



SIMAX GLASS THAT CONQUERS THE ELEMENTS

In the beginning there was the darkness. Then came the light. And it produced opposites:

FIRE – red and raw, whose power was the key to the emergence of one of the most significant discoveries of all times – glass... and its opposite, frosty, solid and clean **ICE**. These elements create a harmonious combination, the perfect opposites which are also enemies who fight for life and death... the winner of the collision between these elements is the durable SIMAX glass, which will endure the fiercest heat of fire and the ruthless cold and hardness of ice.

SIMAX – the glass that can tame the elements.

SIMAX - GLAS EROBERT DIE ELEMENTE

Am Anfang war die Dunkelheit. Dann kam das Licht. Es gestaltete Gegensätze:

FEUER – rot und glühend, dessen Kraft war der Schlüssel eines der bedeutendsten Entdeckungen aller Zeiten – Glas... und dessen Gegensatz frostig, stabil und klar – **EIS**. Diese Elemente bilden eine harmonische Kombination, die perfekten Gegensätze, welche gleichzeitig Feinde sind und um Leben und Tod kämpfen... der Gewinner dieses Zusammenpralls der Elemente ist das beständige SIMAX-Glas, welches die heftige Hitze des Feuers und die unbarmherzige Kälte und Härte des Eises aushält.

SIMAX – das Glas, welches die Elemente zähmen kann.





LAB BOTTLES AND ACCESSORIES **18**

LABORFLASCHEN UND ZUBEHÖR

COMMON LAB GLASS **38**

LABORGLAS ALLGEMEIN

DESICCATORS **70**

EXSIKKATOREN

GLASS FOR MICROBIOLOGY **78**

GLÄSER FÜR DIE MIKROBIOLOGIE

VOLUMETRIC GLASSWARE **94**

VOLUMENMESSGERÄTE

FUNNELS, FILTERING **126**

TRICHTER, FILTRATION

GLASSWARE WITH SJ **142**

GLASWARE MIT NS-SCHLIFF

LAB APPARATUS **170**

LABORGERÄTE

LABORATORY APPLIANCES **198**

LABORZUBEHÖR

SIMAX®

Dear business friends, now you are getting our new LAB GLASSWARE CATALOGUE, where you will find a lot of innovations – both announced and surprising ones!

The most expressive expansion concerns our series of reagent bottles – our offer now consists of brand new shapes and sizes, new functional accessories, and additionally also the new plastic coated safe variants. Another news you will also find e.g. in the chapters dedicated to the desiccators, graduated glassware, and lab equipment.

I am convinced, that you will appreciate new composition, labelling and lot of new information added – and in this way, our new LAB GLASSWARE CATALOGUE will become the maximum well-arranged source of all necessary information and product details.

It is already our company's tradition to offer the products of superior quality to you. Our company is in possession of the ISO 9001 Certificate – in this way we demonstrate the high level of the quality of produced and delivered lab glassware SIMAX.

Considering the characteristics of SIMAX products, these ones are used in fields, where the highest demands concerning thermal and chemical durability as well as neutrality against substances or preparations containing such substances are required – e.g. in the chemical and petrochemical industry, food processing, health services, microbiology, and so on.

Thanks to the achieved technological level and the complex know-how, we are belonging to the global leaders in production of lab and technical glassware (both pressed and blown) – namely since 1837.

Our company's goal is to offer such products and services, which will bring optimum solutions to you and which will completely satisfy all your demands.

Sincerely yours

Otakar Motka

Owner of the company



KAVALIER



Sie halten unseren neuen Katalog für Laborglaswaren in den Händen, in dem wir jede Menge angekündigter sowie überraschender Neuheiten vorstellen.

Unser Sortiment an Reagenzflaschen wurde wesentlich erweitert – wir bieten hier ganz neue Flaschenformen und -größen, neues funktionsfähiges Zubehör, und darüber hinaus auch Flaschen in einer sicheren kunststoffbeschichteten Qualität. Auf weitere Neuheiten können Sie sich z. B. im Bereich Exsikkatoren, Volumenmessgeräte oder Laborgeräte freuen.

Ich glaube fest, dass Sie die neue Struktur, Kennzeichnung und Ergänzung um zahlreiche Informationen sehr schätzen werden, und unser Katalog für Sie dadurch zu einer übersichtlichen Quelle aller erforderlicher Angaben und Produktdetails wird.

Traditionell bieten wir Produkte in höchster Qualität. Wir besitzen das ISO 9001 Zertifikat, wodurch unser hohes Niveau in der Qualitätssicherheit der Produktion und Lieferungen von Laborglas SIMAX nachgewiesen wird.

Aufgrund ihrer Eigenschaften werden SIMAX-Produkte in den Bereichen eingesetzt, wo die höchsten Anforderungen an die Produkte in Bezug auf die Wärme- und chemische Beständigkeit sowie Neutralität gegen Stoffe oder Präparate mit bestimmten Inhaltsstoffen gestellt werden, so z. B. in der chemischen Industrie, Petrochemie, Pharmazie, Lebensmittelindustrie, Gesundheitswesen, Mikrobiologie, usw.

Durch das erzielte technologische Niveau und das komplexe Know-How zählen wir zu den weltweit führenden Herstellern von Labor- und technischem Glas, Stanz- und Blasprodukten mit einer Tradition seit 1837.

Unser Ziel ist es, Ihnen auch weiterhin solche Produkte und Dienstleistungen anzubieten, die für Sie eine optimale Lösung darstellen und Ihren Anforderungen vollständig entsprechen.

Otakar Motka

Eigentümer



SIMAX GLASS

Products made of the SIMAX glass are smooth and imporous, perfectly transparent, catalytically indifferent, corrosion-resistant even in long-lasting operations, sufficiently homogeneous, and free of any heterogeneous particles. The SIMAX glass is very friendly to the environment and is absolutely unexceptionable from the ecological viewpoint.

The Glassworks KAVALIER have been counted among the most important world producers supplying products from the borosilicate glass, type 3.3.

CHEMICAL COMPOSITION

(main components in percentage by weight)

SiO ₂	B ₂ O ₃	Na ₂ O + K ₂ O	Al ₂ O ₃
80.6	13	4	2.4

RESISTANCE AGA/NST

water at 98 °C	(pursuant to ISO 719)	HGB 1
water at 121 °C	(pursuant to ISO 720)	HGA 1
acids	(pursuant to ISO 1776)	1
effect of water solution of alkali mixture	(pursuant to ISO 695)	A2 or better

The SIMAX borosilicate glass 3.3 is highly resistant to effects of water, neutral and acid solutions, strong acids and their mixtures, chlorine, bromine, iodine, and organic compounds. Even in long-term effects and at temperatures above 100 °C, this glass outstrips, with its chemical durability, most metals and other raw materials.

Due to effects of water and acids, the glass releases only small amounts of mostly univalent ions. At the same time, a very thin permeable siliceous gel layer is formed on the glass surface, which ensures resistance to further effects. Hydrogen fluoride, hot phosphoric acid, and alkaline solutions attack the glass surface, depending on concentration and temperature.

SIMAX: PHYSICAL PROPERTIES

PHYSICAL DATA

Mean linear and thermal coefficient of expansion α (20 °C; 300 °C) according to ISO 7991		3.3 x 10 ⁻⁶ K ⁻¹
Transformation temperature T _g .		525 °C
Glass temperature at viscosity η in dPa.s	1013 (upper cooling temperature)	560 °C
Glass temperature at viscosity η in dPa.s	107,6 (softening temperature)	825 °C
Glass temperature at viscosity η in dPa.s	104 (working range)	1260 °C
Highest short-term admissible working range		500 °C
Density ρ at 20 °C		2,23 g. cm ⁻³
Modulus of elasticity E (Young modulus)		64 x 10 ³ MPa
Poisson ratio μ		0.20
Thermal conductivity λ (20 to 100 °C)		1,2 W.m ⁻¹ . K ⁻¹

MECHANICAL STABILITY OF SIMAX GLASS

Mechanical properties and service life of products made of the SIMAX glass are largely done by the stage of their finish, especially in their entirety, i.e. depth failure on surface in manipulation and secondary thermal treatment.

Glass mass scratch hardness of 6° of Mohs scale	
Admissible tensile stress	3,5 MPa
Admissible bending stress	7,0 MPa
Admissible compressive stress	100,0 MPa

THERMAL PROPERTIES OF SIMAX GLASS

High resistance of product made of the SIMAX glass to sudden change in temperature – heat stability – is done by low coefficient of linear thermal expansion, relatively low modulus of tensile elasticity, as well as relatively high thermal conductivity resulting in a lower thermal gradient in the product wall.

On cooling and heating the glass product, an undesirable internal stress arises. Breakage of the glass product due to temperature change is caused by tensile stress on the product surface arising due to action of linear dilatability of the glass on quick cooling from the product surface.

With a mechanical failure in the product surface, the heat stability can be significantly reduced.

Wall thickness (in mm)	Resistance to heat shock (D °C)
1	303
3	175
6	124
10	96

The manufacturer may perform an exact calculation, where necessary.

COOLING OF SIMAX GLASS

Cooling represents a thermal process the purpose of which is keeping from formation of undesirable and inadmissibly high thermal stress in the glass which would reduce the product resistance, and/or removing of stress already arisen.

Cooling cycle comprises three stages:

- **Temperature increase** (product heating) with heating rate from the inlet temperature to the upper cooling value.
- **Dwell** (pause, tempering, stabilization) of products at upper cooling temperature for certain time when the temperature differences in the product must be equalized, including stress reduction to an admissible limit.
- **Temperature decrease** (cooling and additional cooling) of the product with cooling rate from the upper to the lower cooling value (this stage is important as the permanent stress can arise), and from the lower cooling temperature to the final value or ambient temperature (important for subsequent practical manipulation with the product).

Concrete cooling cycle is specified in the table..

TEMPERATURE RANGE

Maximum wall thickness	Rise	Dwell	Temperature Drop		
	20–550 °C	560 °C	560–490 °C	490–440 °C	440–40 °C
3mm	140 °C/min	5 °C/min	14 °C/min	28 °C/min	140 °C/min
6mm	30 °C/min	10 °C/min	3 °C/min	6 °C/min	30 °C/min
9mm	15 °C/min	18 °C/min	1,5 °C/min	3 °C/min	15 °C/min
12mm	8 °C/min	30 °C/min	0,6 °C/min	1,6 °C/min	8 °C/min

OPTICAL PROPERTIES OF SIMAX GLASS

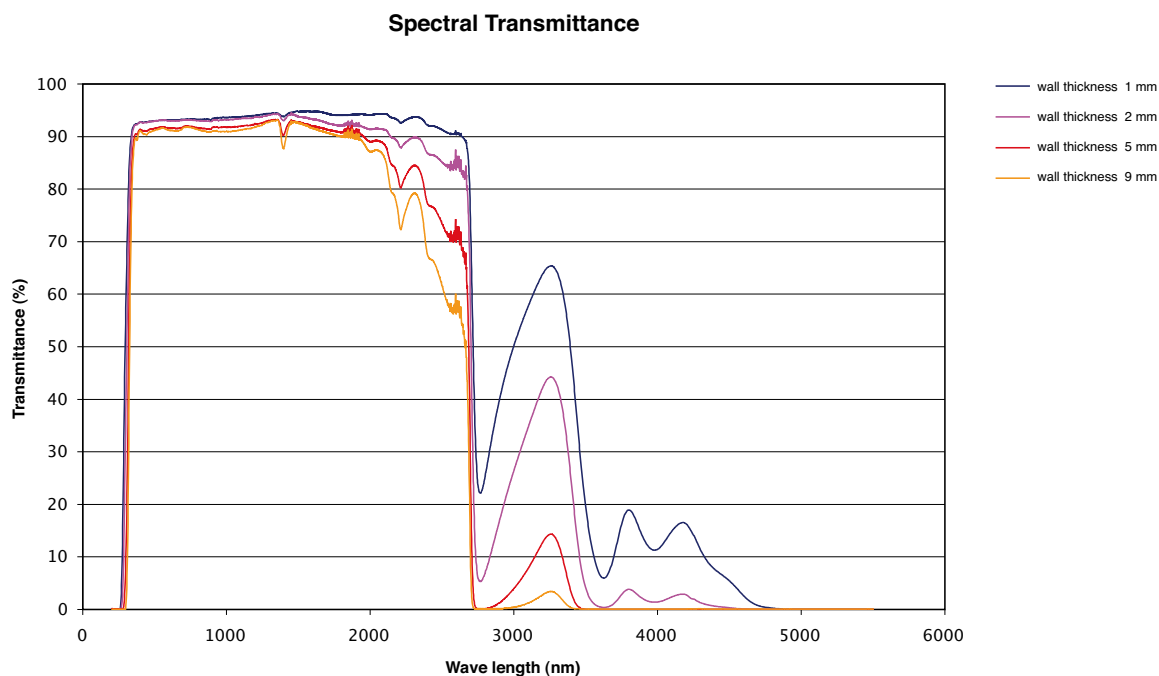
The Glass SIMAX is transparent and clear; it does not show substantial absorption in visible spectrum.

Permeability of ultra-violet rays enables the products made of the SIMAX glass to be used for photochemical reactions.

Refractive index ($\lambda = 587.6 \text{ nm}$) n_d
Photoelastic constant (DIN 52314) K

1.473
 $4,0 \cdot 10^{-6} \text{ mm}^2 \cdot \text{N}^{-1}$

LIGHT TRANSMITTANCE



ELECTRICAL PROPERTIES OF SIMAX GLASS

At usual temperatures, the SIMAX glass is a non-conducting material – it is an insulant.

- Specific resistance in damp-proof medium (20 °C) higher than
- Permittivity ϵ (20 °C, 1 MHz)
- Loss angle $\text{tg } \delta$ (20 °C, 1 MHz)

Dielectric losses increase sharply with rising temperature and they change with frequency.

10^{13} – $10^{15} \Omega \cdot \text{cm}$

4.6

4.9×10^{-3}

PLASTIC ACCESSORIES

The Simax laboratory glassware are complemented with various plastic accessories, the properties of which can be found in the tables below.

PLASTICS USED WITH LABORATORY GLASS

Materials for laboratory glass accessories		
Type	Designation	Thermal stability (° C)
PE	Polyethylene	- 40 to + 80
PP	Polypropylene	- 40 to + 140
PBT	Polybutylene terephthalate	- 45 to + 180
PTFE	Polytetrafluoroethylene	- 200 to + 260
ETFE	Ethylene tetrafluoroethylene	- 100 to + 180
VMQ	Silicone rubber	- 50 to + 230
NR	Rubber for food	- 40 to + 70
FKM	Fluorocarbon - Viton	- 20 to + 200
N.K.	Natural cork	- 20 to + 200

Chemical resistance of materials									
Substance groups + 20°C	PE	PP	PBT	PTFE	ETFE	VMQ	NR	FKM	N.K.
Alcohols	++	++	++	++	++	+	+	-	+
Aldehydes	+	+	++	++	++	+	+	-	+
Alkaline solutions	++	++	+/-	++	++	-	+	-	+
Esters	+	+	+	++	++	-	+	-	-
Ethers	-	-	+	++	++	-	-	-	+
Aliphatic hydrocarbons	-	++	++/+	++	++	-	-	++	-
Aromatic hydrocarbons	-	+	++/+	++	++	-	-	++	-
Halogenated hydrocarbons	-	+	+	++	++	-	-	++	-
Ketones	+	+	+/-	++	++	-	-	++	-
Diluted or weak acids	++	++	++	++	++	-	+	++	+
Strong acids	++	++	+	++	++	-	-	++	-
Oxidizing acids	-	+	-	++	++	-	-	+	-

++ = very good resistance

+ = good resistance

- = low resistance

PRINCIPLES OF USING LABORATORY GLASSWARE SIMAX

1. CLEANING

The laboratory glassware can be cleaned either manually or in a laboratory dish washer using usual cleaning and disinfecting agents. It is recommended to wash the glass before the first use.

Laboratory glassware which came into contact with infectious substances should be cleaned and sterilized with hot air or steam. In this way, burning-on of impurities and damaging of glass by possibly adhered chemicals is prevented.

A) Manual cleaning:

- Laboratory glassware should be wiped and washed with a cloth or a sponge using a cleaning solution.
- Do not use abrasive washing agents as they can scratch the glass.
- Avoid extended exposition to alkaline media at temperatures above 70 °C as printing can be destroyed.

B) Washing in dish washers:

Washing of laboratory glassware in dish washers is more considerate than manual cleaning. The glass gets into contact with a cleaning solution for a relatively short time only during the phase of rinsing when the solution is sprayed on the glass surface.

- When inserting the glassware into a dish washer care should be taken to prevent mutual impacts.

2. SAFETY INSTRUCTIONS FOR USER

- Never expose the laboratory glassware to sudden changes in temperature. Prevent taking hot glassware out of a drier and putting it on a cold or wet laboratory table. The warning is particularly applicable to a thick-walled glassware, such as suction flasks or desiccators.
- Before each evacuation or pressure stress of glass flasks, make visual inspection of a faultless state (for heavy scratches, impacts, etc.). Damaged glass flasks must not be used for works under pressure or vacuum.
- The laboratory glassware under pressure or vacuum should be handled with care (e.g. with suction flasks, desiccators).
- Do not expose the glassware to sudden changes in pressure.
- To prevent developing stress in the glass do not heat up glass flasks under vacuum or pressure from one side or with an open flame.
- The laboratory glassware with flat bottom (e.g. Erlenmeyer flasks, flasks with flat bottom) should not be exposed to pressure stress.

LABORATORY BOTTLES SIMAX

Laboratory bottles are made of the borosilicate glass 3.3, featuring excellent chemical properties and a high thermal resistance. They are chemically resistant and stable. After completion with a plastic pouring ring, they enable liquids to be easily poured out. All bottles of the volume 100ml and higher have the same thread size, the screw cups can be mutually interchanged.

The bottle, pouring ring, and screw cup can be sterilized.

Handling instructions:

a) Freezing of substances

- Freeze the bottle in a skew position (about 45°) and filled up to max. 3/4 (volume expansion).
- Temperature limit: -40 °C as plastic lids and pouring rings do not resist to lower temperatures.

b) Thawing of substances

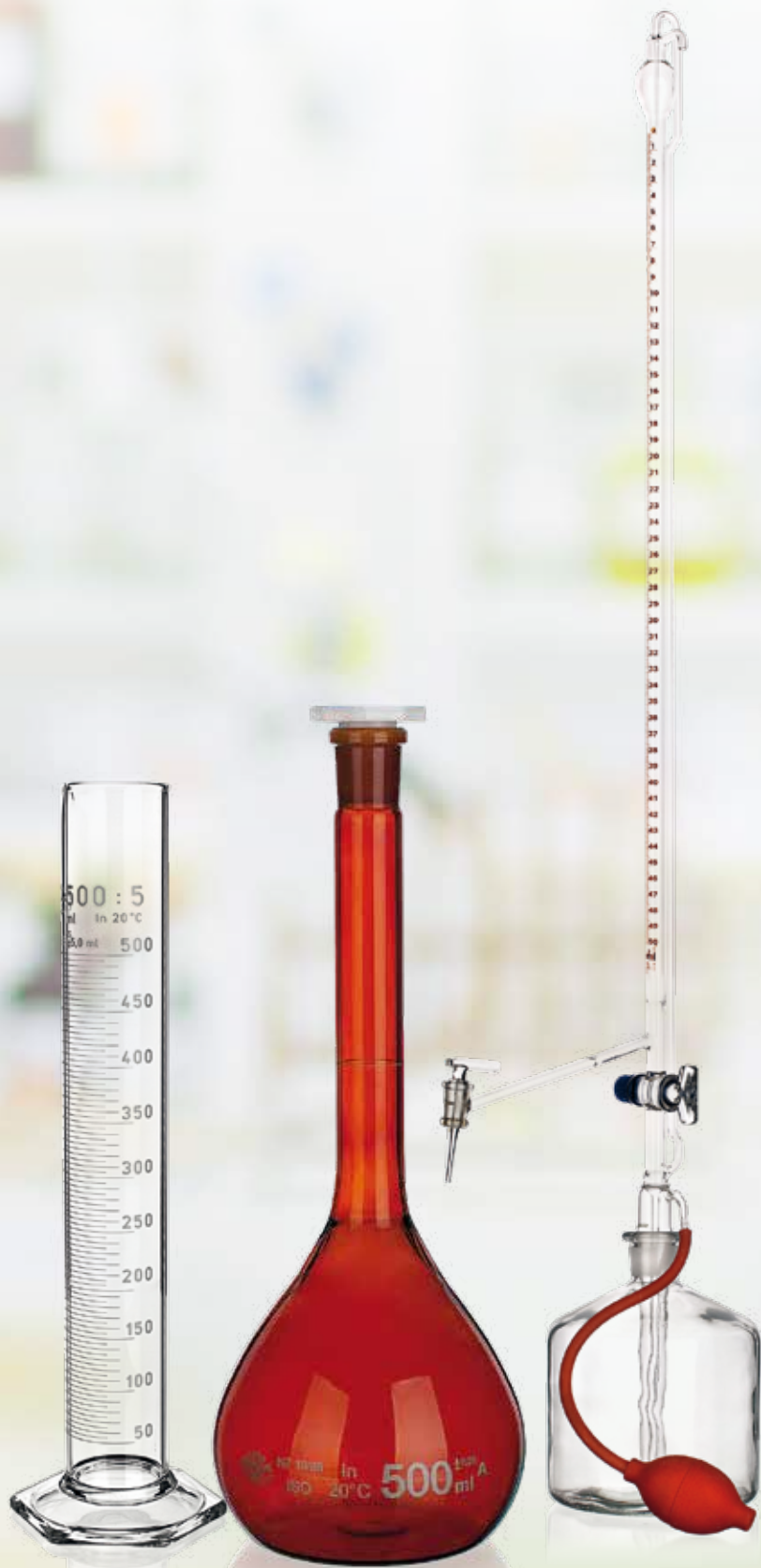
- Thawing of a frozen material can be carried out by submerging the bottle into a liquid bath (temperature difference should not exceed 100 °C). The frozen material will thus be heated up uniformly from all sides and the bottle will not be damaged. Thawing can also be accomplished slowly from the top so that the surface is first liquefied and the material can expand.

c) Sterilization

- During sterilization, the screw cup can only lightly be fitted on the bottle (screwed with max. one rotation). Pressures are not equalized when the bottle is closed. The pressure difference created in this way can result in the bottle breakage.

d) Pressure resistance

- The laboratory bottles are not suitable for works under pressure or vacuum.



SIMAX-GLAS

Erzeugnisse aus SIMAX-Glas sind glatt und nicht porös, absolut durchsichtig, katalytisch indifferent, korrosionsbeständig auch bei langzeitigen Operationen, ausreichend homogen und ohne Anwesenheit von heterogenen Partikeln.

Das SIMAX-Glas ist umweltfreundlich und ist aus ökologischer Sicht völlig unschädlich.

Die Glashütte KAVALIER reiht sich zu den renommiertesten Weltproduzenten, die Erzeugnisse aus Borosilicatglas des Typ 3,3 liefern.

CHEMICAL COMPOSITION

(Hauptkomponente in Gewichtsprozenten)

SiO ₂	B ₂ O ₃	Na ₂ O + K ₂ O	Al ₂ O ₃
80.6	13	4	2.4

DIE BESTÄNDIGKEIT

Wasser bei 98 °C	(nach ISO 719)	HGB 1
Wasser bei 121 °C	(nach ISO 720)	HGA 1
Säuren	(nach ISO 1776)	1
Einfluss der Alkaliengemisch- Wasserlösung	(nach ISO 695)	A2 oder besser

Borosilicatglas SIMAX 3.3 ist hochbeständig gegen Einwirkung von Wasser, neutrale und saure Lösungen, starke Säuren und ihre Mischungen, gegen Chlor, Brom, Jod und organische Substanzen. Auch bei langfristigem Einwirken und bei Temperaturen über 100 °C überragt dieses Glas mit seiner chemischen Beständigkeit die meisten Metalle und andere Rohstoffe.

Infolge des Einwirkens von Wasser und Säuren setzt das Glas nur eine kleine Menge von meistens einwertigen Ionen frei. Gleichzeitig bildet sich auf der Glasoberfläche eine schwache, durchlässige Silicatgelschicht, die die Beständigkeit gegen weitere Einwirken gewährleistet. Fluorwasserstoff, heiße Phosphorsäure und alkalische Lösungen wirken auf die Glasoberfläche in Abhängigkeit von Konzentration und Temperatur.

SIMAX: PHYSIKALISCHE EIGENSCHAFTEN

PHYSIKALISCHE DATEN

Mittlerer Koeffizient der linearen Wärmeausdehnung α (20 °C; 300 °C) laut ISO 7991		$3.3 \times 10^{-6} \text{ K}^{-1}$
Transformationstemperatur T_g		525 °C
Glastemperatur bei der Viskosität η in dPa . s	10^{13} (obere Kühlungstemperatur)	560 °C
Glastemperatur bei der Viskosität η in dPa . s	$10^{7.6}$ (Erweichungstemperatur)	825 °C
Glastemperatur bei der Viskosität η in dPa . s	10^4 (Arbeitsbereich)	1260 °C
Höchster kurzfristiger zulässiger Arbeitsbereich		500 °C
Dichte ρ bei 20 °C		$2.23 \text{ g} \cdot \text{cm}^{-3}$
Elastizitätsmodul E (Young's -modulus)		$64 \cdot 10^3 \text{ MPa}$
Poissonsche Konstante μ		0,20
Wärmeleitfähigkeit λ (20 bis 100 °C)		$1,2 \text{ W} \cdot \text{m}^{-1} \cdot \text{K}^{-1}$

MECHANICAL STABILITY OF SIMAX GLASS

Mechanical properties and service life of products made of the SIMAX glass are largely done by the stage of their finish, especially in their entirety, i.e. depth failure on surface in manipulation and secondary thermal treatment.

Ritzhärte der Glasmasse 6° Mohs-Skala	
Zulässige Zugbeanspruchung	3.5 MPa
Zulässige Biegebeanspruchung	7.0 MPa
Zulässige Druckbeanspruchung	100.0 MPa

THERMISCHE EIGENSCHAFTEN DES GLASES SIMAX

Die hohe Beständigkeit der Erzeugnisse aus SIMAX-Glas gegen plötzliche Temperaturwechsel – Wärmestabilität – ist durch den niedrigen Koeffizient der linearen Wärmeausdehnung, den relativ niedrigen Elastizitätsmodul im Zug und der relativ hohen Wärmeleitfähigkeit bestimmt, was einen niedrigeren Temperaturgradient in der Wand des Produktes zur Folge hat.

Bei Abkühlen und Erwärmen des Glasproduktes entsteht eine unerwünschte Innenspannung. Das Zerschneiden des Glasproduktes infolge der Temperaturveränderung wird durch die Zugbeanspruchung an der Produktoberfläche verursacht, die durch das Einwirken der linearen Ausdehnbarkeit des Glases bei schneller Abkühlung von der Produktoberfläche entsteht.

Infolge eines mechanischen Fehlers an der Produktoberfläche kann die thermische Beständigkeit wesentlich reduziert sein.

Wanddicke (in mm)	Beständigkeit gegen Wärmeschock (D °C)
1	303
3	175
6	124
10	96

Je nach Bedarf kann der Hersteller eine genaue Errechnung vornehmen.

KÜHLEN DES GLASES SIMAX

Das Kühlen stellt einen thermischen Prozess dar, durch den das Entstehen unerwünschter und unzulässig hoher thermischer Spannung im Glas, welche die Beständigkeit des Produktes reduzieren würde, verhindert oder die bereits entstandene Spannung beseitigt wird.

Der Kühlungszyklus verläuft in drei Stufen:

- **Temperaturerhöhung** (Erhitzen des Produktes) durch Erwärmungsgeschwindigkeit von der Eingangstemperatur bis zur oberen Kühltemperatur.
- **Haltdauer** (Verweilen, Temperieren, Stabilisieren) des Produktes an der oberen Kühltemperatur, wodurch der Ausgleich der Temperaturunterschiede im Produkt und die Reduzierung der Spannung auf ein akzeptables Niveau erzielt werden muss.
- **Temperaturermässigung** (Kühlen und Nachkühlen) des Produktes durch Abkühlungsgeschwindigkeit von der oberen auf die untere Kühlungstemperatur (diese Phase ist wichtig, da es zur Entwicklung von Dauerspannung kommen kann) und von der unteren Kühlungstemperatur auf die Endtemperatur oder auf die Umgebungstemperatur (wichtig für die nachfolgende Manipulation mit den Produkten).

TEMPERATURBEREICH

Maximale Wanddicke	Erhitzen	Halten	Abkühlen		
	20–550 °C	560 °C	560–490 °C	490–440 °C	440–40 °C
3mm	140 °C/min	5 °C/min	14 °C/min	28 °C/min	140 °C/min
6mm	30 °C/min	10 °C/min	3 °C/min	6 °C/min	30 °C/min
9mm	15 °C/min	18 °C/min	1,5 °C/min	3 °C/min	15 °C/min
12mm	8 °C/min	30 °C/min	0,6 °C/min	1,6 °C/min	8 °C/min

OPTISCHE EIGENSCHAFTEN DES GLASES SIMAX

SIMAX-Glas ist durchsichtig und klar und weist keine wesentliche Absorption im sichtbaren Spektrumteil auf.

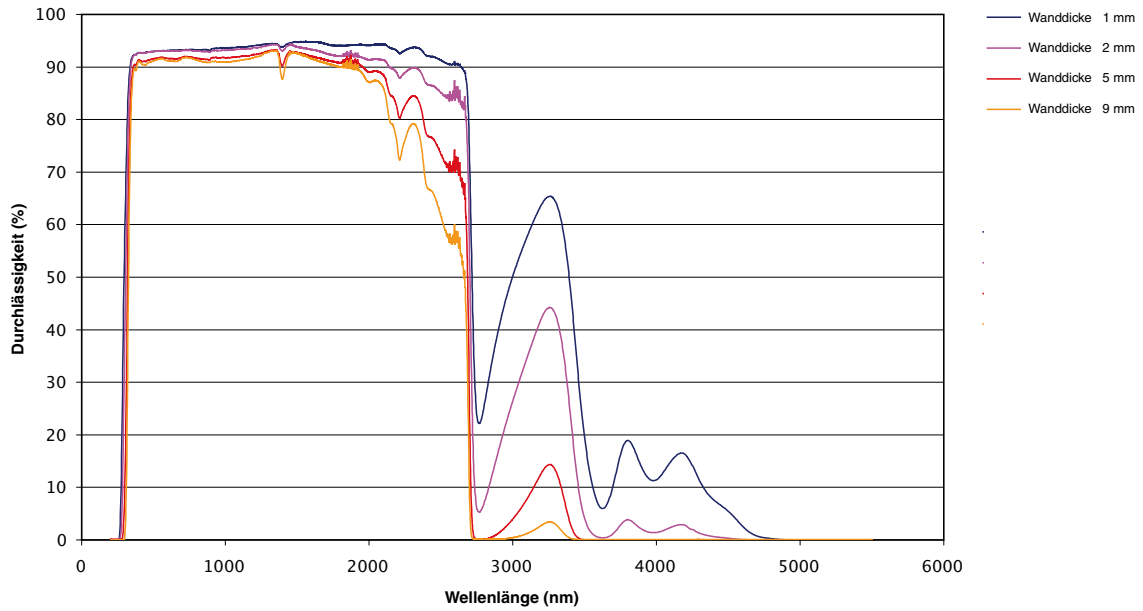
Die Durchlässigkeit der UV-Strahlung ermöglicht die Verwendung der Produkte aus Simax-Glas für fotochemische Reaktionen.

Brechungsindex ($\lambda = 587,6 \text{ nm}$) n_d
Fotoelastische Konstante (DIN 52314) K

1.473
 $4,0 \cdot 10^{-6} \text{ mm}^2 \cdot \text{N}^{-1}$

LICHTDURCHLÄSSIGKEIT

Spektrale Durchlässigkeit



ELEKTRISCHE EIGENSCHAFTEN DES GLASES SIMAX

Das Simax-Glas ist bei üblichen Temperaturen nichtleitendes Material – es ist Isolierstoff.

- Spezifischer Widerstand in feuchtigkeitsbeständig. Umgebung (20 °C) höher als
- Dielektrizitätskonstante ϵ (20 °C, 1 MHz)
- Verlustwinkel $\text{tg } \delta$ (20 °C, 1 MHz)

$10^{13} - 10^{15} \Omega \cdot \text{cm}$

4,6

$4,9 \cdot 10^{-3}$

Dielektrische Verluste steigen steil mit zunehmender Temperatur und ändern sich mit der Frequenz.

KUNSTSTOFF-ERGÄNZUNGSTEILE

Das Laborglas Simax wird mit verschiedenen Kunststoffelementen ergänzt, deren Eigenschaften in der folgenden Tabelle angeführt sind.

VERWENDETE KUNSTSTOFFE BEI LABORGLAS

Materialien für Kunststoff-Ergänzungsteile		
Typ	Bezeichnung	Temperaturbeständigkeit (°C)
PE	Polyäthylen	- 40 bis + 80
PP	Polypropylen	- 40 bis + 140
PBT	Polybutylenterephthalat	- 45 bis + 180
PTFE	Polytetrafluoräthylen	- 200 bis + 260
ETFE	Äthylen-Tetrafluoräthylen	- 100 bis + 180
VMQ	Silikon gummi	- 50 bis + 230
NR	Lebensmittel gummi	- 40 bis + 70
FKM	Fluorkautschuk – Viton	- 20 bis + 200
N.K.	Naturkork	- 20 bis + 200

Chemische Beständigkeit bei Kunststoffen									
Substanzgruppen + 20°C	PE	PP	PBT	PTFE	ETFE	VMQ	NR	FKM	N.K.
Alkohole	++	++	++	++	++	+	+	-	+
Aldehyde	+	+	++	++	++	+	+	-	+
Laugen	++	++	+/-	++	++	-	+	-	+
Ester	+	+	+	++	++	-	+	-	-
Äther	-	-	+	++	++	-	-	-	+
Kohlenwasserstoffe aliphatisch	-	++	++/+	++	++	-	-	++	-
Kohlenwasserstoffe aromatisch	-	+	++/+	++	++	-	-	++	-
Kohlenwasserstoffe halogeniert	-	+	+	++	++	-	-	++	-
Ketone	+	+	+/-	++	++	-	-	++	-
Säuren verdünnt oder schwach	++	++	++	++	++	-	+	++	+
Säuren stark	++	++	+	++	++	-	-	++	-
Säuren oxidierende	-	+	-	++	++	-	-	+	-

++ = sehr gute Beständigkeit
+ = gute Beständigkeit
- = geringe Beständigkeit

GRUNDSÄTZE FÜR DIE ANWENDUNG DES LABORGLASES SIMAX

1. REINIGUNG

Laborglas kann entweder manuell oder in Laborspülmaschine unter Verwendung der üblichen Spül- und Desinfektionsmittel gereinigt werden. Wir empfehlen, das Glas vor der ersten Benutzung abzuspülen.

Laborglas, das mit Infektionsstoffen in Kontakt kommen kann, muss mit Heißluft oder Dampf gesäubert und sterilisiert werden. Somit wird das Ankleben von Unreinheiten und die Beschädigung des Glases durch möglicherweise anklebende Chemikalien verhindert.

A) Manuelle Reinigung:

- Laborglas auswischen und abwaschen mit einem Lappen oder Schwamm und mit Spüllösung.
- Keine abrasive Spülmittel verwenden, denn sie können Kratzer am Glas verursachen.
- Verhindern Sie langzeitigen Kontakt mit alkalischer Umgebung bei Temperaturen über 70 °C, es könnte der Aufdruck vernichtet werden.

B) Maschinelle Reinigung in Laborspülmaschine:

Das Spülen des Laborglases die Spülmaschine ist schonender als die manuelle Reinigung. Das Glas kommt nur eine relativ kurze Zeit während der Abspülphase mit der Spüllösung in Kontakt, wo die Lösung auf die Glasoberfläche gesprüht wird.

- Beim Einlegen des Glases in die Spülmaschine ist gegenseitigen Anstoßen vorzubeugen.

2. SICHERHEITSHINWEISE FÜR DIE BENUTZER

- Setzen Sie das Laborglas niemals plötzlichen Temperaturänderungen aus. Das heiße Glas nicht aus dem Trockner nehmen und auf einen kalten oder nassen Labortisch legen. Diese Warnung gilt besonders für dickwandiges Glas, wie Saugkolben und Eksikkatoren.
- Vor jedem Evakuieren oder Druckbelastung der Glaskolben nehmen sie eine visuelle Kontrolle des einwandfreien Zustands vor (tiefe Ritze, Anschläge usw.). Beschädigte Glaskolben dürfen nicht benutzt werden für Arbeiten unter Druck oder Vakuum.
- Mit Laborglas unter Druck oder Vakuum muss vorsichtig umgegangen werden (z.B. mit Saugkolben, Eksikkatoren).
- Das Glas keinen plötzlichen Druckänderungen aussetzen.
- Um Spannungen im Glas zu vermeiden, dürfen die Glaskolben unter Vakuum oder Druck nicht von einer Seite oder mit offener Flamme erwärmt werden.
- Laborglas mit flachem Boden (z.B. Erlenmeyer-Kolben, Kolben mit flachem Boden) darf keiner Druckbeanspruchung ausgesetzt werden.

LABORFLASCHEN SIMAX

Die Laborflaschen sind aus Borosilicatglas 3.3. mit hervorragenden chemischen Eigenschaften und hoher Temperaturbeständigkeit hergestellt. Sie sind chemisch beständig und stabil. Die Flaschen mit einem Kunststoff-Ausgiessring vervollständigt ermöglichen ein leichtes Ausgiessen der Flüssigkeit. Alle Flaschen ab 100ml Inhalt und mehr haben übereinstimmende Gewindegrösse, die Schraubverschlusskappen kann man gegenseitig austauschen. Flasche, Ausgiessring und Schraubverschlusskappe können sterilisiert werden.

Behandlungshinweise:

a) Einfrieren der Substanzen:

- Lassen Sie die Flasche in Schräglage gefrieren (ca. 45°) und maximal zu $\frac{3}{4}$ gefüllt (Volumenausdehnung).
- Temperaturlimit: -40 °C , denn die Kunststoffkappen und Ausgiessringe halten keine niedrigeren Temperaturen aus.

b) Auftauen der Substanzen:

- Das Auftauen gefrorener Substanzen kann durch Tauchen der Flasche in ein Flüssigkeitsbad erfolgen (der Temperaturunterschied darf nicht 100 °C übersteigen). Das gefrorene Material erwärmt sich somit gleichmäßig von allen Seiten und die Flasche wird nicht beschädigt. Das Auftauen kann man ebenfalls von oben her durchführen, so dass sich die Oberfläche zuerst verflüssigt und das Material expandieren kann.

c) Sterilisieren:

- Beim Sterilisieren darf die Schraubverschlusskappe nur locker auf die Flasche gesetzt werden (höchstens eine Umdrehung schrauben). Beim Verschliessen der Flasche erfolgt kein Druckausgleich. Ein somit entstandener Druckunterschied kann den Bruch der Flasche zur Folge haben.

d) Druckbeständigkeit:

- Die Laborflaschen sind nicht für Arbeiten unter Druck oder Vakuum geeignet.



500 ml



14





LAB BOTTLES AND ACCESORIES

LABORFLASCHEN UND ZUBEHÖR

LAB BOTTLES AND ACCESORIES

Bottles for reagents are made of borosilicate glass 3.3 SIMAX. For the photosensitive reagents, the brown colored bottles are intended.

Plastic screw caps (blue) are intended for the operational temperature up to 140°C. In case of higher temperature (maximum 200°C), the red screw caps should be used.

In case of reagents, which could damage the plastic screw caps, the bottles with precise ground bottle neck and glass stopper are intended.

For storage of bigger amounts as well as for bleeding of liquids, the irrigators are delivered.

The bottles of thick-wall type are not intended for reduced or increased pressure.

LABORFLASCHEN UND ZUBEHÖR

Die Laborflaschen sind aus Borosilicatglas 3.3 SIMAX hergestellt. Für die Aufbewahrung von lichtempfindlichen Stoffen sind die Laborflaschen mit brauner Farbe bestimmt.

Die blauen Schraubverschlusskappen aus Kunststoff sind für den Einsatz bei einer max. Betriebstemperatur von bis +140°C bestimmt. Für eine höhere Betriebstemperatur - bis max. 200°C sind die Verschlusskappen und Ringe roter Farbe bestimmt.

Für die Aufbewahrung von aggressiven Stoffen, die Kunststoffverschlusskappen beschädigen könnten, sind die Flaschen mit genauem NS-Schliff und Glasstopfen bestimmt.

Für die Aufbewahrung von größeren Mengen und Entnahme von Flüssigkeiten werden Irrigatoren geliefert.

Die Flaschen sind dickwandig, sind jedoch nicht für den Einsatz mit einem reduzierten oder erhöhten Druck bestimmt.

REAGENT BOTTLE WITH GL80

with blue PP cap
with blue PP outlet ring

Provided with well-legible scale and large field for description (indication of the content). The outlet ring enables for clean work (no drops). The great diameter of bottle neck makes the handling with powders or viscous substances easy.

Typical use: storage and transfer of substances.

LABORFLASCHE MIT GL80

mit PP blauer Kappe
und PP Ring

Die Flaschen haben eine gut ablesbare Skala und ein großes Beschriftungsfeld für die Beschriftung des Inhalts. Ausgießring für eine saubere Arbeit ohne Abtropfen. Ein großer Halsdurchmesser ermöglicht den sauberen Umgang mit Pulvern oder viskösen Stoffen.

Typische Verwendung: Aufbewahrung, Transport von Stoffen.

Cat. No. 2080 M

Catalog No. Katalog-Nr.	Capacity (ml) Kapazität (ml)	GL	d (mm)	h (mm)	Packing (pcs) Packung (Stück)
1632414812500	500	80	94x94	139	10
1632414812940	1000	80	105x105	185	10
1632414812950	2000	80	115x115	258	10
1632414812956	5000	80	160x160	357	6

TP
1270

REAGENT BOTTLES WITH GL80

with blue PP cap
with blue PP pouring ring

Provided with well-legible scale and large field for description (indication of the content). The pouring ring enables for clean work (no drops). The great diameter of bottle neck makes the handling with powders or viscous substances easy. Brown colored glass provides for protection of photosensitive substances.

Typical use: storage and transfer of photosensitive substances.

LABORFLASCHE MIT GL80

mit PP blauer Kappe und PP Ring

Die Flaschen haben eine gut ablesbare Skala und ein großes Beschriftungsfeld für die Beschriftung des Inhalts.

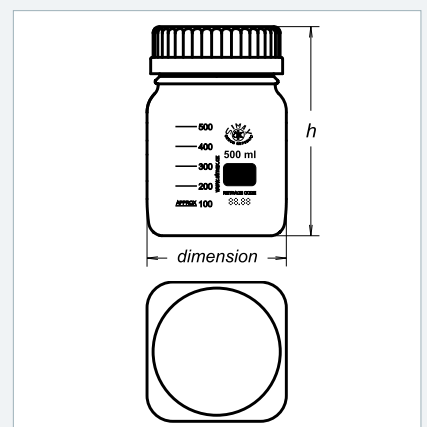
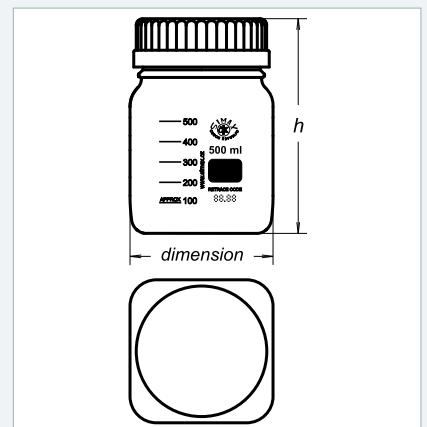
Ausgießring für eine saubere Arbeit ohne Abtropfen. Ein großer Halsdurchmesser ermöglicht einen sauberen Umgang mit Pulvern oder viskösen Stoffen. Die braune Farbe sorgt für den Schutz von lichtempfindlichen Stoffen.

Typische Verwendung: Aufbewahrung, Transport von lichtempfindlichen Stoffen.

Cat. No. 2080 M/H

Catalog No. Katalog-Nr.	Capacity (ml) Kapazität (ml)	GL	d (mm)	h (mm)	Packing (pcs) Packung (Stück)
1632414825500	500	80	94x94	139	10
1632414825940	1000	80	105x105	185	10
1632414825950	2000	80	115x115	258	10
1632414825956	5000	80	160x160	357	6

TP
1270





SCREW CAP GL 80

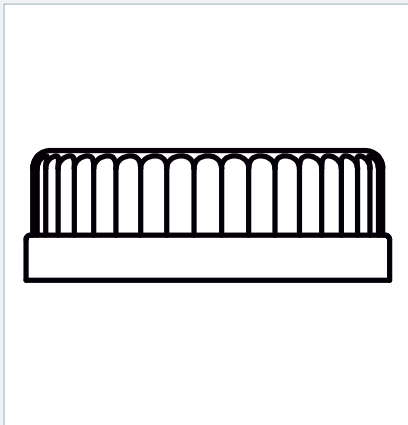
Plastic cap (blue) GL 80.
Maximum operational temperature
+140°C.

SCHRAUBVERSCHLUSS - KAPPE GL 80

Schraubverschluss - Kappe (blau) GL 80.
Maximale Betriebstemperatur +140°C

Cat. No. 2080 UPP

Catalog No. Katalog-Nr.	Color Farbe	GL	Packing (pcs) Packung (Stück)
9180002271	blue/blau	80	1

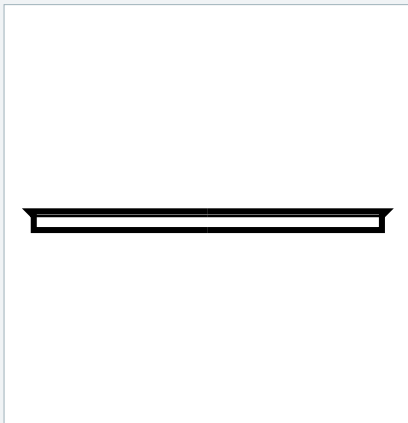


OUTLET RING GL 80

AUSGIESSRING GL 80

Cat. No. 2080 KPP

Catalog No. Katalog-Nr.	Color Farbe	GL	Packing (pcs) Packung (Stück)
9180002272	blue/blau	80	1



REAGENT BOTTLE

with blue PP cap
with blue PP outlet ring

Provided with well-legible scale and large field for description (indication of the content). The outlet ring enables for clean work (no drops). The great diameter of bottle neck makes the handling with powders or viscous substances easy.

Typically used for storage and transfer of substances.

LABORFLASCHE

mit PP blauer Kappe
und PP Ring

Die Flaschen haben eine gut ablesbare Skala und ein großes Beschriftungsfeld für die Beschriftung des Inhalts. Ausgießring für eine saubere Arbeit ohne Abtropfen.

Typische Verwendung: Aufbewahrung, Transport von Stoffen.

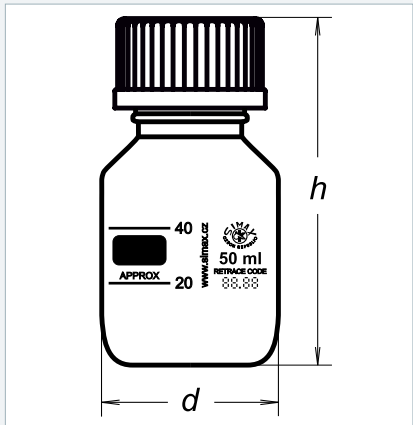
Cat. No. 2070 M

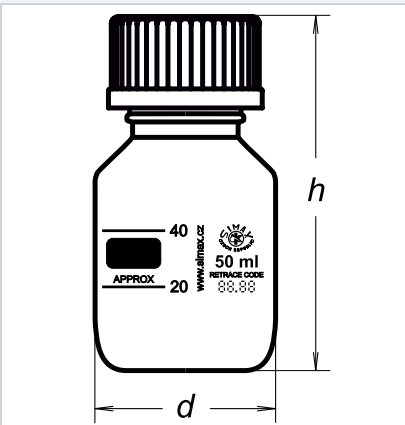
Catalog No. Katalog-Nr.	Capacity (ml) Kapazität	GL	d (mm)	h (mm)	Packing (pcs) Packung (Stück)
1632414501050	50	32	46	91	10
1632414321100	100	45	56	105	10
1632414321250	250	45	70	143	10
1632414321500	500	45	86	181	10
1632414321940	1000	45	101	230	10
1632414321950	2000	45	136	265	10
1632414321954	3800	45	160	320	4
1632414321958	5000	45	181	336	6
1632414321966	10000	45	227	416	1
1632414321968	20000	45	288	512	1

TP
1270

ISO
4796-1

NOTES / AUFZEICHNUNGEN





REAGENT BOTTLE

brown, with blue PP cap and blue PP outlet ring

Provided with well-legible scale and large field for description (indication of the content). The outlet ring enables for clean work (no drops).

Typically used for storage and transfer of photosensitive substances.

LABORFLASCHE

braun, mit PP blauer Kappe und PP Ring

Die Flaschen haben eine gut ablesbare Skala und ein großes Beschriftungsfeld für die Beschriftung des Inhalts. Ausgießring für eine saubere Arbeit ohne Abtropfen.

Typische Verwendung: Aufbewahrung, Transport von lichtempfindlichen Stoffen.

Cat. No. 2070 H

Catalog No. Katalog-Nr.	Capacity (ml) Kapazität	GL	d (mm)	h (mm)	Packing (pcs) Packung (Stück)
1632414511050	50	32	46	91	10
1632414345100	100	45	56	105	10
1632414345250	250	45	70	143	10
1632414345500	500	45	86	181	10
1632414345940	1000	45	101	230	10
1632414345950	2000	45	136	265	10
1632414345954	3800	45	160	320	4
1632414345958	5000	45	181	336	6
1632414345966	10000	45	227	416	1
1632414345967	15000	45	268	453	1
1632414345968	20000	45	288	512	1
1632414345969	25000	45	315	556	1

TP
1270

ISO
4796-1

NOTES / AUFZEICHNUNGEN

REAGENT BOTTLE WITH GL45

with red PBT cap
with red ETFE outlet ring

LABORFLASCHE MIT GL 45

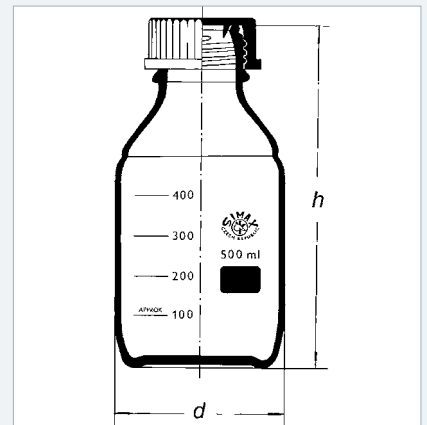
mit PBT roter Kappe
und ETFE Ring

Cat. No. 2070 R

Catalog No. Katalog-Nr.	Capacity (ml) Kapazität	GL	d (mm)	h (mm)	Packing (pcs) Packung (Stück)
1632414321101	100	45	56	105	10
1632414321251	250	45	70	143	10
1632414321501	500	45	86	181	10
1632414321941	1000	45	101	230	10
1632414321951	2000	45	136	265	10
1632414321955	3800	45	160	320	4
1632414321959	5000	45	181	336	6
1632414321967	10000	45	227	416	1
1632414321969	20000	45	288	512	1

TP
1270

ISO
4796-1



SCREW CAP

PP Maximum operating temperature
+140°C.

SCHRAUBVERSCHLUSS - KAPPE

Schraubverschluss - Kappe PP. Maximale
Betriebstemperatur +140°

Cat. No. 2070 UPP

Catalog No. Katalog-Nr.	Color Farbe	GL	Packing (pcs) Packung (Stück)
9180002314	blue/blau	32	1
9180003430	blue/blau	45	1
9180003444	green/grün	45	10
9180003445	orange/orange	45	10
9180003446	yellow/gelb	45	10
9180003421	red/rot	45	1

NEW
NEW
NEW

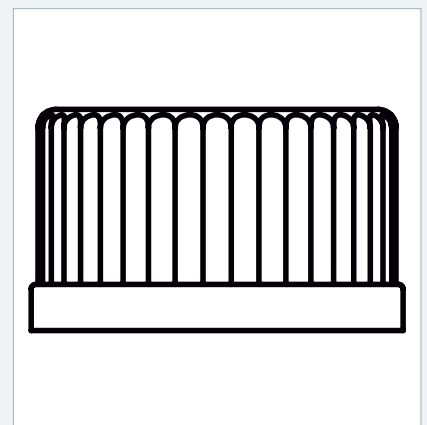


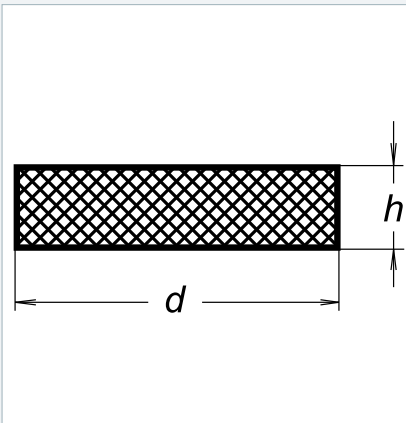
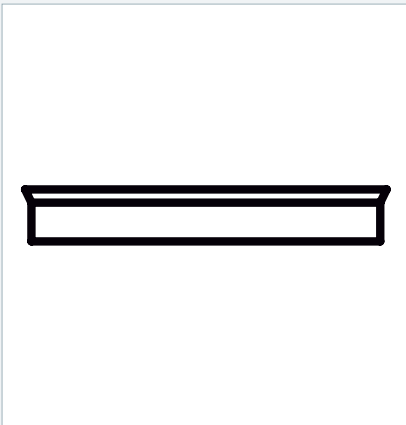
Note:

The red screw cap is made of PBT and maximum operating temperature is +200 °C.

Hinweis:

Der rote Schraubverschluss besteht aus PBT und die maximale Betriebstemperatur beträgt +200 °C.





OUTLET RING PP

AUSGIESSRING PP

Cat. No. 2070 KPP

Catalog No. Katalog-Nr.	Color Farbe	GL	Packing (pcs) Packung (Stück)
9180002313	blue/blau	32	1
9180003432	blue/blau	45	1
9180003762	clear/klar	45	10
9180003417	red/rot	45	1

Note: The red outlet ring is made of ETFE and maximum operating temperature is +200 °C.

Hinweis:

Der rote Ausgangsring besteht aus ETFE und die maximale Betriebstemperatur beträgt +200 °C.

SCREW CAP GASKET GL45

200°C, D43, PTFE

DICHTUNG DES SCHRAUBVERSCHLUSSES - KAPPE GL 45

Catalog No. Katalog-Nr.	Packing (pcs) Packung (Stück)
9180003424	1

SCREW FITTING

In practice, it is often necessary to interconnect piping (made of PTFE, PFA, FEP, ...) or pipes (glass, metal, plastic) with the instruments provided with GL (glass) thread. In such cases, the screw fitting presents an ideal solution.

Every screw fitting consists of the GL threaded sleeve nut, three internal parts of V-ring, conical ring, and sealing ring.

The assembling is very easy and may be performed by hand: slip the internal parts over the pipe; then insert the pipe end into the mating part (connecting port of the instrument, bottle neck, ...) and tighten the nut. In this way the nut will press both the sealing and conical ring against the mating part. At the same time the V-ring will be compressed and an absolutely tight connection is obtained, suitable even for vacuum.

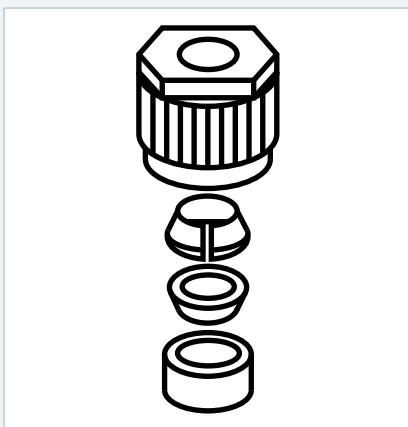
At the room temperature, the lab gaskets GL14, GL18 and GL25 bear up the pressure of maximum 10 bar.

VERSCHRAUBUNG

In der Praxis gibt es viele Fälle, wo es erforderlich ist, Rohrleitungen (z.B. aus PTFE, PFA, FEP hergestellt) oder Röhren (aus Glas, Metall, Kunststoff) mit den mit GL-Gewinde (Glasgewinde) versehenen Geräten zu verbinden. Die Verschraubung ist für diese Zwecke ideal.

Jede Verschraubung besteht aus einer Überwurfmutter mit GL-Gewinde, drei Innenteilen des V-Rings, eines Kegelrings und Dichtungsring. Die Montage ist sehr einfach nur mit einer Hand: zuerst werden auf die Rohrleitung die Innenteile aufgeschoben. Anschließend wird die Rohrleitung in das Gegenstück eingeführt (z.B. Stutzen des Gerätes, Hals der Flasche) und die Mutter wird angezogen. Die Mutter drückt den Dichtungs- und Kolbenring an das Gegenstück an. Gleichzeitig wird der V-Ring gedrückt und die Rohrleitung wird dicht angeschlossen. Die Verbindung ist absolut dicht und verwendbar für Vakuum.

Die Labordichtungen GL14, GL 18 und GL 25 sind für Druck bis 10 bar bei einer Raumtemperatur beständig.



SCREW FITTING

Red sleeve nut (glass fibre reinforced ETFE), internal parts V-ring (ETFE), conical nut (PTFE) and sealing nut (PTFE), O-ring (for piping with diameter less than 3mm, not in contact with medium). Very good chemical resistance, suitable for temperature range -50°C to +150°C.

VERSCHRAUBUNG

Rote Überwurfmutter aus mit Glasfasern verstärktem ETFE, Innenteile, V-Ring (ETFE), Kegel- und Dichtungsnut (beide aus PTFE) und O-Ring (für Rohre mit einem Durchmesser von weniger als 3mm, ist nicht in Kontakt mit Medium). Sehr gute chemische Beständigkeit, geeignet für Temperaturen von -50°bis +150°C.

Catalog No. Katalog-Nr.	For tubing O.D. Für Rohr	For tubing O.D. GL-Gewinde	Packing (pcs) Packung (Stück)
N555D593-02	(1/32") 0,8	14	1
N555D593-04	1.0	14	1
N555D593-06	(1/16") 1,6	14	1
N555D593-26	(1/16") 1,6	18	1
N555D593-10	2.0	14	1
N555D593-30	2.0	18	1
N555D593-12	2.4	14	1
N555D590-02	3.0	14	1
N555D590-10	3.0	18	1
N555D590-08	(1/8") 3,2	14	1
N555D590-20	(1/8") 3,2	18	1
N555D590-04	4.0	14	1
N555D590-12	4.0	18	1
N555D590-06	6.0	14	1
N555D590-14	6.0	18	1
N555D590-62	(1/4") 6,35	14	1
N555D590-16	8.0	18	1
N555D590-18	10.0	18	1

SCREW FITTING

Screw fittings and fittings with GL thread for hard piping or pipes made of glass, metal, or plastic). For attachment of probes, thermometers, or cables in the reaction vessels. Ideal for the aggressive environments (aggressive vapors).

Green sleeve nut (PP) for the bottle GL45 thread and PP body. Maximum external diameter of the inserted pipe is 8,5mm. Limited chemical resistance, for operational temperatures up to +110°C. Suitable for inflow/outflow of liquids, leading-in the piping, pipes or probes into the vessels.

VERSCHRAUBUNG

Verschraubungen und Fittings mit GL-Gewinde für harte Rohrleitungen oder Rohre aus Glas, Metall oder Kunststoff. Befestigung von Sonden, Thermometern, Rohren oder Kabeln in Laborflaschen. Ideal für aggressive Umgebungen (mit aggressiven Dämpfen). Grüne Überwurfmutter aus PP für Flaschengewinde GL 45 und Körper aus PP. Höchstmöglicher Außendurchmesser des eingelegten Rohres 8,5mm.

Beschränkte chemische Beständigkeit, für Arbeitstemperaturen bis +110°C. Verwendung: Abführung oder Zuführung von Flüssigkeiten. Einführung der Rohrleitung, des Rohres oder der Sonden in die Behälter.

Catalog No. Katalog-Nr.	Necks GL Hals-GL	Code	Packing (pcs) Packung (Stück)
N555D612-08	2 x 14	D 612-08	1
N555D613-08	3 x 14	D 613-08	1

SCREW CAP

with two hose connections

Green screw cap (PP) for the bottle GL45 thread plus body with hose connection (PP). The upper hose connections are bent, the lower ones are straight. Limited chemical resistance, for operational temperatures up to +110°C.

Used for inflow/outflow of liquids. Suitable for hoses (Vitron, Tygon, silicone).

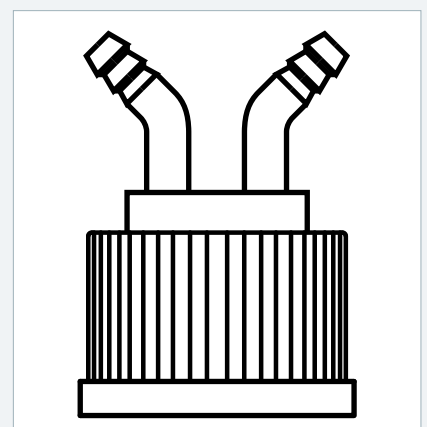
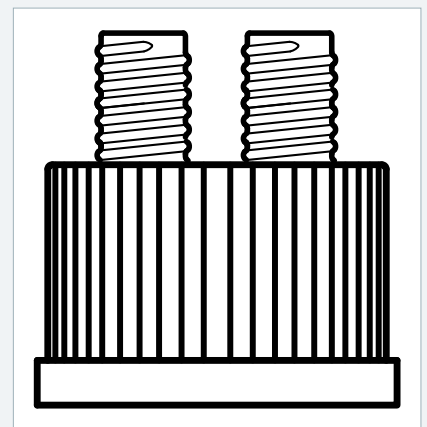
SCHRAUBVERSCHLUSS - KAPPE

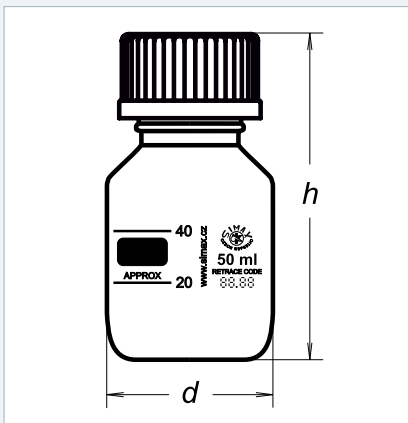
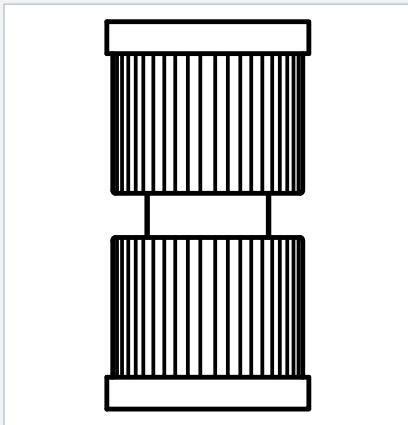
mit 2 Oliven für Schläuche

Grüner Kunststoffverschluss aus PP für Flaschengewinde GL 45 und Körper mit Oliven für Schläuche aus PP. Gebogene Oliven auf der Oberseite, gerade Oliven auf der Unterseite. Beschränkte chemische Beständigkeit, für Arbeitstemperaturen bis +110°C.

Verwendung: Abführung oder Zuführung von Flüssigkeiten. Für Schläuche (aus Vitron, Tygon, Silikon).

Catalog No. Katalog-Nr.	Number of hose connectors Anzahl von Schläuchen	For tubing I.D. Für Rohr	Bore of hose connectors Innendurchmesser von Schläuchen	Code	Packing (pcs) Packung (Stück)
N555D800-24	2	6-9	6	D 800-24	1
N555D800-36	3	6-9	6	D 800-36	1
N555D800-48	2	7-11	7	D 800-48	1





SCREW-TYPE JOINT

Two screw-type caps (PBTP, +180°C) with GL thread and PTFE/FPM gasket. Joint made of PTFE. The medium is only in contact with PTFE. Suitable for connection of two GL threads with identical diameter.

SCHRAUBVERBINDUNG AUS PBT

Zwei Schraubenverschlüsse aus PTBT (+180°C) mit GL-Gewinde und PTFE/FPM-Dichtung. Verbindungsstück aus PTFE. Das Medium ist in Kontakt nur mit PTFE. Für die Verbindung zweier GL-Gewinde mit demselben Durchmesser.

Catalog No. Katalog-Nr.	For thread GL Für GL-Gewinde	Length from Länge ab	Code	Packing (pcs) Packung (Stück)
N555H901-01	14	15	H 901-01	1
N555H901-02	18	17	H 901-02	1
N555H901-03	25	22	H 901-03	1
N555H901-04	32	22	H 901-04	1
N555H901-05	45	23	H 901-05	1

REAGENT BOTTLE, PLASTIC COATED

PU-polyurethane
Provided with well-legible scale and large field for description (indication of the content).

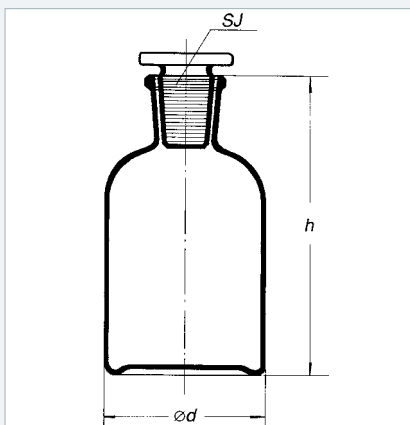
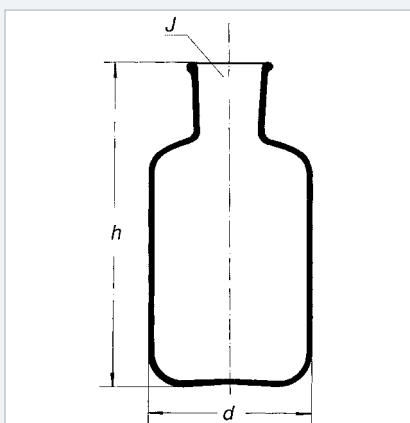
Operational temperature range (for plastic coating) -30°C to +135°C. Autoclaving: Steam sterilisation at +121°C or +134°C. The coating provides protection against scratching and rupture – ideal for transport and storage of dangerous substances and provides also protection against the light (wavelength up to approx. 380 nm). High micro-wave transmittance. Suitable for storage, transport, and safe handling with dangerous or valuable substances.

KUNSTSTOFFBESCHICHTETE LABORFLASCHE

PU-Polyurethan
Mit einem gut lesbaren Beschriftungsfeld für die Beschriftung.

Betriebstemperatur der Kunststoffbeschichtung von -30°C bis +135°C. Autoklavieren: Dampfsterilisation bei +121°C oder +134°C. Die Beschichtung schützt gegen Verkratzungen und Bruch und ist ideal für Transport und Aufbewahrung von gefährlichen Medien, und schützt gegen Licht bis ca. 380nm Wellenlänge. Hohe Durchlässigkeit für Mikrowellen. Typische Verwendung: Aufbewahrung, Transport und sichere Handhabung von Gefahr- oder wertvollen Stoffen.

Cat. No. 2070M NEW					
Catalog No. Katalog-Nr.	Capacity (ml) Kapazität	GL	d (mm)	h (mm)	Packing (pcs) Packung (Stück)
N555414321100	100	45	56	105	10
N555414321250	250	45	70	143	10
N555414321500	500	45	86	181	10
N555414321940	1000	45	101	230	10
N555414321950	2000	45	136	256	10



BOTTLE RESERVOIR

for injection serum

Without ground neck and stopper.
Typical use: storage of liquids (incl. the aggressive ones).

VORRATSFLASCHE

für Injektionsseren

Ohne Bodenansatz und Stopper.
Typische Verwendung: Aufbewahrung von Flüssigkeiten einschließlich aggressiver Flüssigkeiten.

Cat. No. 3125

Catalog No. Katalog-Nr.	Capacity (ml) Kapazität	d (mm)	h (mm)	SJ	Packing (pcs) Packung (Stück)
1632511101250	250	68	145	34/35	10
1632511101500	500	83	165	34/35	10
1632511101940	1000	105	197	34/35	10
1632511101950	2000	125	257	34/35	3
1632511101956	5000	178	305	34/35	2
1632511101966	10000	220	385	34/35	1
1632511101968	20000	286	470	60/46	1

BOTTLE REAGENT, NARROW MOUTH

with precise ground neck and glass stopper

Typical use: storage of liquids (incl. the aggressive ones).

LABORFLASCHE ENGHALSIG

mit geschliffenem Stopfen,
SIMAX - weiß

Mit einem genau eingeschliffenen Hals und Glasstopfen.
Typische Verwendung: Aufbewahrung von Flüssigkeiten einschließlich aggressiver Flüssigkeiten.

Cat. No. 2002 B

Catalog No. Katalog-Nr.	Capacity (ml) Kapazität	d (mm)	h (mm)	SJ	Packing (pcs) Packung (Stück)
1632414142956	5000	181	325	45/40	3
1632414142966	10000	227	403	60/46	1

PN
70 0040

BOTTLE REAGENT, WIDE MOUTH

for injection serum

With precise ground neck and glass stopper.
Typical use: storage of powdery or granulated substances.

LABORFLASCHE WEITHALSIG

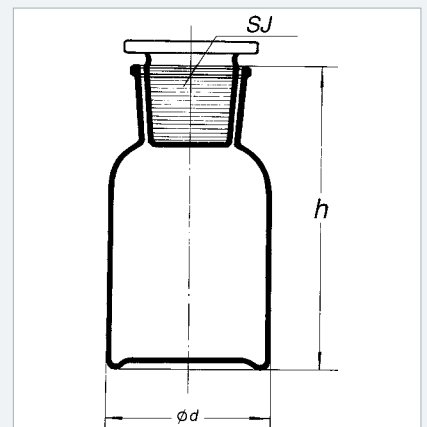
mit eingeschliffenem Stopfen, SIMAX - weiß

Mit einem genau geschliffenen Hals und Glasstopfen.
Typische Verwendung: Aufbewahrung von Pulver- oder Granulatstoffen.

Cat. No. 2006 B

Catalog No. Katalog-Nr.	Capacity (ml) Kapazität	d (mm)	h (mm)	SJ	Packing (pcs) Packung (Stück)
1632414144956	5000	181	338	85/55	3
1632414144966	10000	227	408	85/55	1

PN
70 0040



IRRIGATOR

barrel shaped, tubulated near bottom, with knob

Provided with standardized ground neck near bottom.

IRRIGATOR

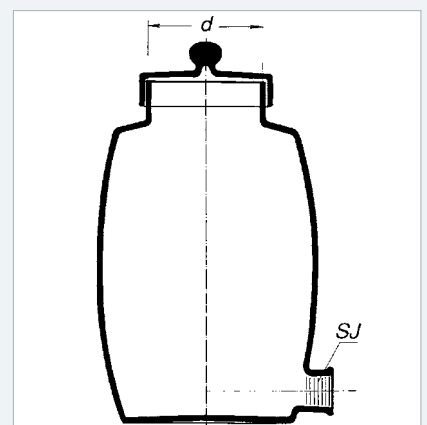
Tonnenförmig mit deckel und bodentubus

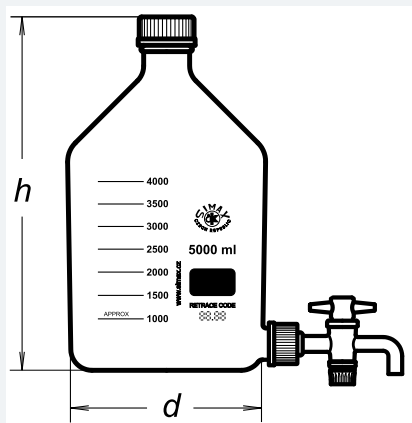
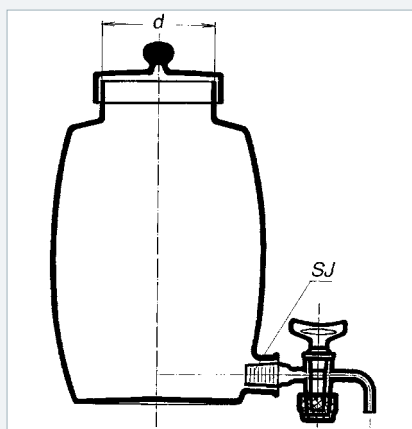
Der Irrigator ist mit einem normalisierten Einschliff am Boden versehen.

Cat. No. 827

Catalog No. Katalog-Nr.	Capacity (ml) Kapazität	d (mm)	SJ	Packing (pcs) Packung (Stück)
1632415603952	3000	100	29/32	1
1632415603956	5000	100	29/32	1
1632415603966	10000	127	29/32	1
1632415603968	20000	160	29/32	1

PN
70 0531





IRRIGATOR

barrel shaped, tubulated near bottom

with loose drop – on cover with knob
Provided with standardized ground neck
near bottom and bleeding cock.

IRRIGATOR

Tonnenförmig mit deckel
Hahn und Bodentubus

Der Irrigator ist mit einem normalisier-
ten Einschliff am Boden und Hahn für
Entnahme von Flüssigkeiten versehen.

Cat. No. 827 R

Catalog No. Katalog-Nr.	Capacity (ml) Kapazität	d (mm)	Sj	Packing (pcs) Packung (Stück)
1632415623952	3000	100	29/32	1
1632415623956	5000	100	29/32	1
1632415623966	10000	127	29/32	1
1632415623968	20000	160	29/32	1

PN
70 0531

REAGENT BOTTLE

outlet GL32 + cock (PTFE)

Regent bottle with the outlet GL32
and PTFE cock, suitable as reservoir for
liquids.

Typical use: dosage of liquids.

LABORFLASCHE

Bodentubus GL32 + Hahn PTFE

Laborflasche mit Bodentubus GL 32 und
PTFE Hahn ist als Vorratsflasche für
Flüssigkeiten geeignet.

Typische Verwendung: Dosierung der
Flüssigkeiten.

Cat. No. 2070 V

Catalog No. Katalog-Nr.	Capacity (ml) Kapazität	d (mm)	h (mm)	Cock No. Hahn Nr.	Packing (pcs) Packung (Stück)
1632414900940	1000	101	230	2	12
1632414900950	2000	136	265	2	8
1632414900956	5000	181	336	4	6
1632414900966	10000	227	416	4	1

REAGENT BOTTLE

for common use

Wide mouth - suitable for handling of powders and viscous liquids.
Typical use: storage and transport of substances.

LABORFLASCHE

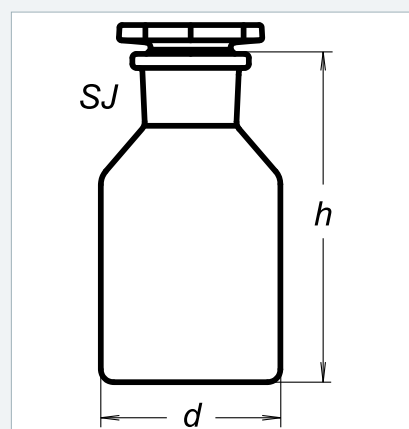
für normale verwendung mit breitem Hals, klar

Der breite Hals ist für den Umgang mit Pulver- und viskösen Stoffen geeignet.
Typische Verwendung: Aufbewahrung und Transport von Stoffen.

SODO GLASS

Cat. No. 2014 B

Catalog No. Katalog-Nr.	Capacity (ml) Kapazität	d (mm)	h (mm)	SJ	Packing (pcs) Packung (Stück)
N555414127050	50	41.5	76	24/20	48
N555414127100	100	51.5	95	29/22	48
N555414127250	250	69	128	34/24	30
N555414127500	500	85	162	45/27	9
N555414127940	1000	106.5	197	60/46	12



REAGENT BOTTLE

for common use, wide mouth, brown

Brown color provides for protection of photosensitive substances.
Wide mouth suitable for handling of powders and viscous liquids.
Typical use: storage and transport of photosensitive substances.

LABORFLASCHE

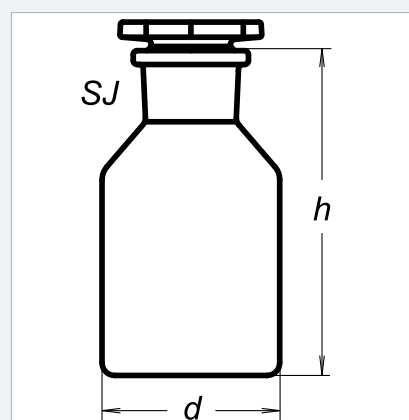
für normale verwendung mit breitem Hals, braun

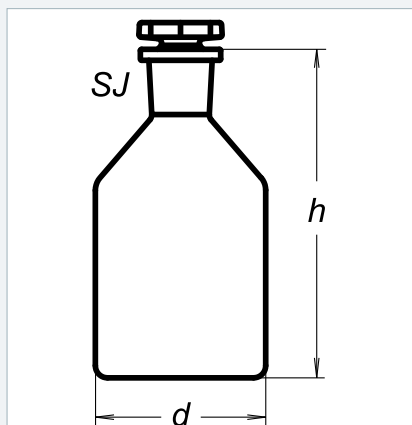
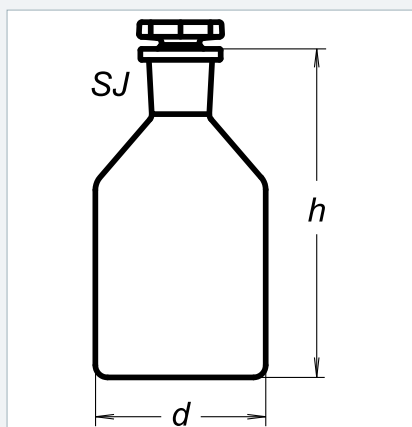
Die braune Farbe sorgt für den Schutz lichtempfindlicher Stoffe.
Der breite Hals ist für den Umgang mit Pulver- und viskösen Stoffen geeignet.
Typische Verwendung: Aufbewahrung und Transport von lichtempfindlichen Stoffen.

SODO GLASS

Cat. No. 2014 H

Catalog No. Katalog-Nr.	Capacity (ml) Kapazität	d (mm)	h (mm)	SJ	Packing (pcs) Packung (Stück)
N555414227050	50	41.5	76	24/20	48
N555414227100	100	51.5	95	29/22	48
N555414227250	250	69	128	34/24	30
N555414227500	500	85	162	45/27	9
N555414227940	1000	106.5	197	60/46	12
N555414227950	2000	133	248	60/46	6





REAGENT BOTTLE

for common use

Narrow mouth, clear.
Typical use: storage and transport of liquids.

LABORFLASCHE FÜR NORMALE VERWENDUNG

mit engem Hals, klar

Typische Verwendung: Aufbewahrung und Transport von Flüssigkeiten.

SODO GLASS

Cat. No. 2010 B

Catalog No. Katalog-Nr.	Capacity (ml) Kapazität	d (mm)	h (mm)	SJ	Packing (pcs) Packung (Stück)
N555414126050	50	41.5	77	14/15	48
N555414126100	100	51.5	103	14/23	48
N555414126250	250	69	131	19/26	30
N555414126500	500	85	163	24/29	9
N555414126940	1000	106.5	199	29/32	12
N555414126950	2000	133	245	29/32	6

REAGENT BOTTLE

for common use

Narrow mouth, brown.
Brown color provides for protection of photosensitive substances.
Typical use: storage and transport of photosensitive substances.

LABORFLASCHE FÜR NORMALE VERWENDUNG

mit engem Hals, braun

Die braune Farbe sorgt für den Schutz lichtempfindlicher Stoffen.
Typische Verwendung: Aufbewahrung und Transport von lichtempfindlichen Flüssigkeiten.

SODO GLASS

Cat. No. 2010 H

Catalog No. Katalog-Nr.	Capacity (ml) Kapazität	d (mm)	h (mm)	SJ	Packing (pcs) Packung (Stück)
N555414226050	50	41.5	77	14/15	48
N555414226100	100	51.5	103	14/23	48
N555414226250	250	69	131	19/26	30
N555414226500	500	85	163	24/29	9
N555414226940	1000	106.5	199	29/32	12
N555414226950	2000	133	245	29/32	6

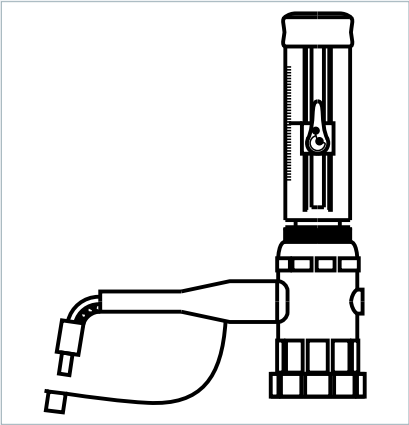
DOSING DEVICE

Used in "in-vitro" diagnostic labs, for safe and exact dosage of agents and chemicals from the bottles.

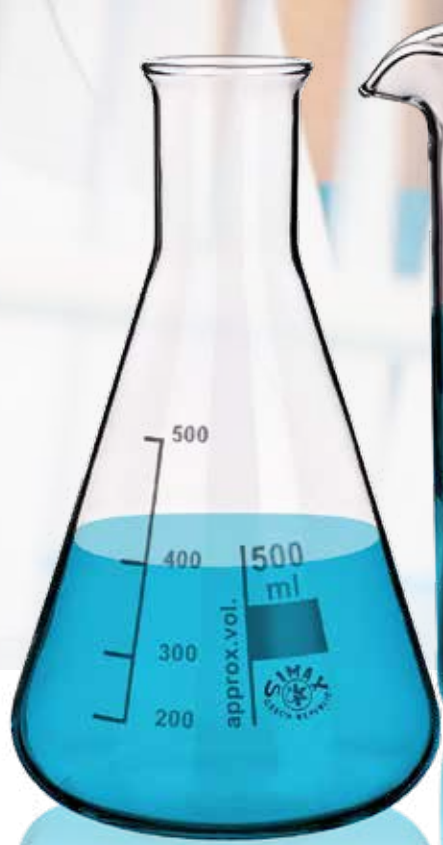
DOSIERER

Dieser Dosierer für die Flaschen wird in In-Vitro Diagnoselaboratorien für eine sichere und genaue Dosierung der Reagenzien und Chemikalien aus den Flaschen verwendet.

Catalog No. Katalog-Nr.	Range of capacities (ml) Volumenumfang (ml)	Graduation (ml) Teilung (ml)	Accuracy (+-ml) Genauigkeit (+-)		GL	Packing (pcs) Packung (Stück)
N555439000002	0,25-2,5	0.05	0.60	0.02	32	1
N555439000005	0,5-5	0.10	0.50	0.03	32	1
N555439000010	1-10	0.20	0.50	0.05	32	1
N555439000030	2,5-30	0.50	0.50	0.15	45	1
N555439000060	5-60	1.00	0.50	0.30	45	1
N555439000100	10-100	2.00	0.50	0.50	45	1



NOTES / AUFZEICHNUNGEN





**COMMON LAB
GLASS**

**LABORGLAS
ALLGEMEIN**

LAB GLASS

Common lab. glass includes thin-walled boiling glassware with high tolerance to temperature changes and high working temperature.

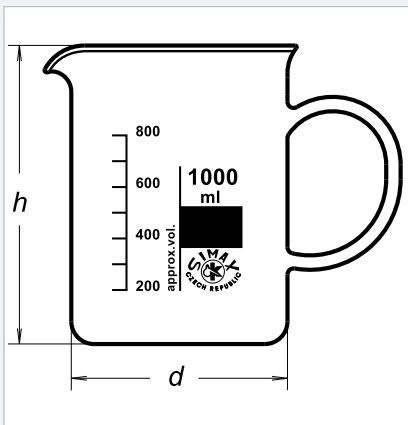
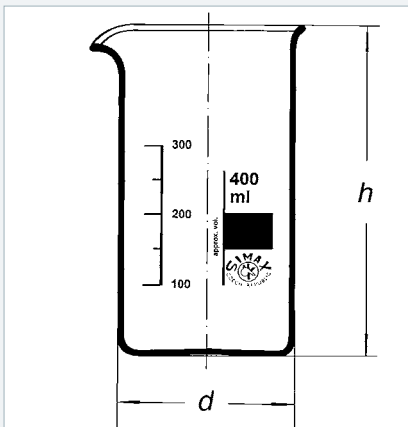
This chapter includes beakers of different shapes, conic flasks (Erlenmeyer), round flasks, flasks with flat bottom, mineralization flasks (Kjeldahl), fractional flasks, crystallising dishes, evaporating dishes, watch-glass. In this chapter are as well included products that are used at common temperature as specimen jars and bell jars of different design, washing bottles (Woulff), bottles gas washing, tilting pipetts and other products necessary for compounding plants.

LABORGLAS

Das allgemeine Laborglas umfasst dünnwandiges Kochglas mit einer hohen Beständigkeit gegen Temperaturänderungen und mit einer zugelassenen Arbeitstemperatur.

Es handelt sich um Becher mit verschiedenen Formen, Erlenmeyer-Kolben, runde Kolben, Stehkolben, Kjeldahl-Kolben, Fraktionierkolben, Kristallisierschalen, Abdampfschalen, Stundengläser.

Weiterhin sind in diesem Kapitel Produkte enthalten, die bei Raumtemperatur eingesetzt werden, wie Präparatenzylinder und Glocken in verschiedenen Ausführungen, Spritzflaschen, Tropfflaschen mit mehreren unterschiedlich angebrachten Halsen (nach Woulff), Gaswaschflaschen, Kipp-Automaten und weitere beim Zusammenbau von Apparaturen erforderlichen Produkte.



BEAKERS, TALL FORM, WITH SPOUT

Beaker has a big labelling for content identification. Spout enables clean work. Equal thickness of walls - suitable for thermic operations.

BECHER

hohe Form, mit Ausguß

Der Becher hat ein großes Bechriftungsfeld für die Kennzeichnung des Inhaltes. Der Ausguß ermöglicht eine saubere Arbeit. Gleichmäßige Wanddicke – für Wärmeoperationen geeignet.

Cat. No. 153

Catalog No. Katalog-Nr.	Capacity (ml) Kapazität	d (mm)	h (mm)	Packing (pcs) Packung (Stück)
1632411012025	25	30	55	10
1632411012050	50	38	70	10
1632411012100	100	48	80	10
1632411012150	150	54	95	10
1632417012250	250	60	120	10
1632417012400	400	70	130	10
1632417012600	600	80	150	10
1632417012800	800	90	175	10
1632417012940	1000	95	180	10
1632417012950	2000	120	240	6
1632411012952	3000	135	280	6

PN 70 4030	ISO 3819	DIN 12 331	CSN 70 4031
---------------	-------------	---------------	----------------

BEAKERS, LOW FORM, WITH HANDLE

Beaker has a big labelling for content identification. Spout enables clean work. Equal thickness of walls - suitable for thermic operations.

BECHER

niedrige Form, mit Ausguß, und Henkel

Der Becher hat ein großes Bechriftungsfeld für die Kennzeichnung des Inhaltes. Der Ausguß ermöglicht eine saubere Arbeit. Gleichmäßige Wanddicke – für Wärmeoperationen geeignet.

Cat. No. 154

Catalog No. Katalog-Nr.	Capacity (ml) Kapazität	d (mm)	h (mm)	Packing (pcs) Packung (Stück)
1632417011250	250	70	95	6
1632417011400	400	80	110	6
1632417011600	600	90	125	6
1632417011940	1000	105	145	2

CSN 70 4030

BEAKERS PHILIPS, LOW FORM

Spout enables clean work.

PHILIPS-BECHER

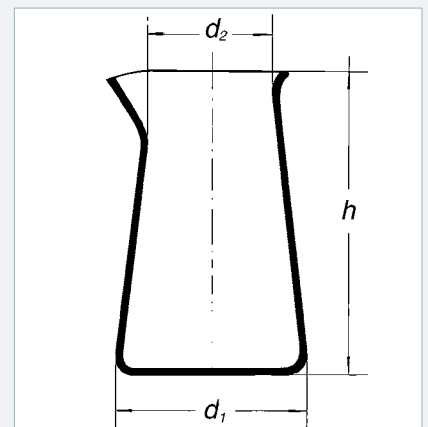
niedrige Form, mit Ausguß

Der Becher hat ein großes
Der Ausguß ermöglicht
eine saubere Arbeit.

Cat. No. 161

Catalog No. Katalog-Nr.	Capacity (ml) Kapazität	d1 (mm)	d2 (mm)	h (mm)	Packing (pcs) Packung (Stück)
1632411006150	150	57	40	91	10
1632411006250	250	68	48	110	10
1632411006500	500	88	61	145	10
1632411006940	1000	112	71	184	10

PN
70 0122



JARS SPECIMEN, CYLINDRICAL, GROUND RIM

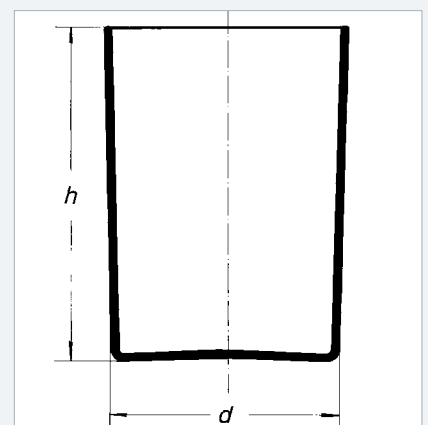
BATTERIEGLÄSER

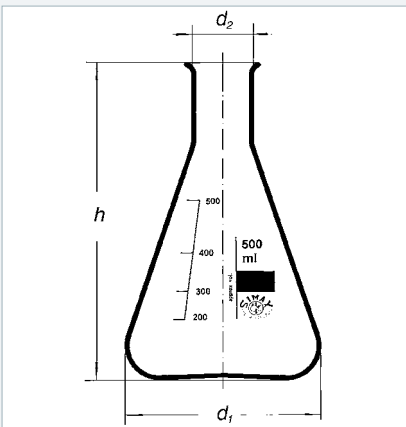
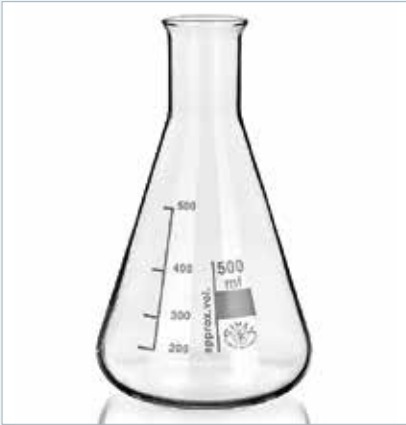
runde Form, Rand abgeschliffen

Cat. No. 2500

Catalog No. Katalog-Nr.	d (mm)	h (mm)	Packing (pcs) Packung (Stück)
1632416310612	60	120	10
1632416311010	100	100	6
1632416311015	100	150	6
1632416311020	100	200	6
1632416311212	125	125	6
1632416311221	125	210	6
1632416311225	125	250	6
1632416311432	140	325	4
1632416311515	150	150	4
1632416311520	150	200	6
1632416311525	150	250	6
1632416311632	160	320	4
1632416312020	200	200	2
1632416312025	200	250	2
1632416312030	200	300	1
1632416312040	200	400	1
1632416312448	240	480	1

PN
70 0531





FLASKS ERLENMEYER, NARROW NECK

Flask has a big labelling for content identification. Flask is suitable for mixing liquids. Equal thickness of walls - suitable for thermic operations.

ERLENMEYER-KOLBEN enghalsig

Der Becher hat ein großes Beschriftungsfeld für die Kennzeichnung des Inhaltes. Der Becher ist für Rühren von Flüssigkeiten geeignet. Gleichmäßige Wanddicke – für Wärmeoperationen geeignet.

Cat. No. 24

Catalog No. Katalog-Nr.	Capacity (ml) Kapazität	d1 (mm)	d2 (mm)	h (mm)	Packing (pcs) Packung (Stück)
1632411119025	25	42	22	75	10
1632411119050	50	51	22	90	10
1632417119100	100	64	22	105	10
1632417119200	200*	79	34	135	10
1632417119250	250	85	34	145	10
1632417119300	300*	87	34	160	10
1632417119500	500	105	34	180	10
1632417119940	1000	131	42	220	10
1632417119950	2000	166	50	280	6
1632411119952	3000	187	50	310	6
1632411119956	5000	220	50	365	2
1632411119968	20000	346	98	580	1

PN 70 4030 CSN 70 4039

NOTES / AUFZEICHNUNGEN

FLASKS ERLIENMEYER, WIDE NECK

Flask has a big labelling for content identification. Flask is suitable for mixing liquids. Equal thickness of walls - suitable for thermic operations. Wide neck simplifies filling and cleaning.

ERLIENMEYER-KOLBEN

weithalsig

Der Becher hat ein großes Beschriftungsfeld für die Kennzeichnung des Inhaltes. Der Becher ist für Rühren von Flüssigkeiten geeignet. Gleichmäßige Wanddicke - für Wärmeoperationen geeignet. Der breite Hals ermöglicht Füllung und Reinigung.

Cat. No. 25

Catalog No. Katalog-Nr.	Capacity (ml) Kapazität	d1 (mm)	d2 (mm)	h (mm)	Packing (pcs) Packung (Stück)
1632411106025	25*	42	32	70	10
1632411106050	50	51	34	85	10
1632417106100	100*	64	34	110	10
1632417106200	200*	79	50	131	10
1632417106250	250	85	50	140	10
1632417106300	300*	87	50	156	10
1632417106500	500	105	50	175	10
1632417106940	1000	131	50	220	10
1632417106950	2000*	153	72	280	6

* Outside the regulation

* Abmessungen außerhalb der Norm

PN 70 4030	ISO 24450	CSN 70 4039
---------------	--------------	----------------

SCREW ERLIENMEYER FLASKS WITH GL THREADS AND SCREW CUP

Flask has a big labelling for content identification. Locking piece can be PBT¹ or with membrane² (gass exchange). Typical use: substance storage, preparation of medias and cultivation.

ERLIENMEYER-KOLBEN

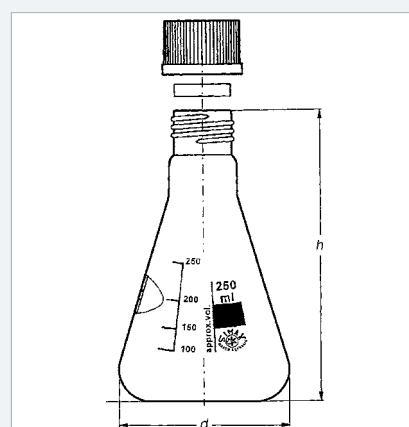
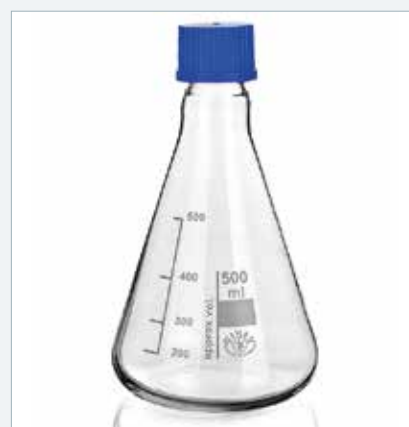
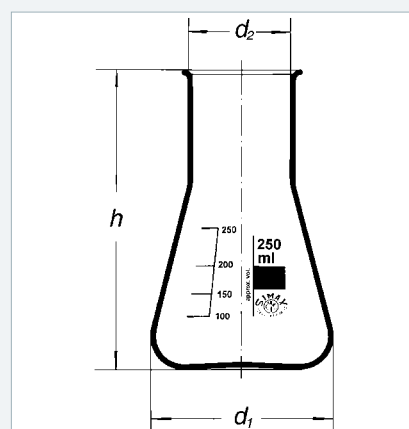
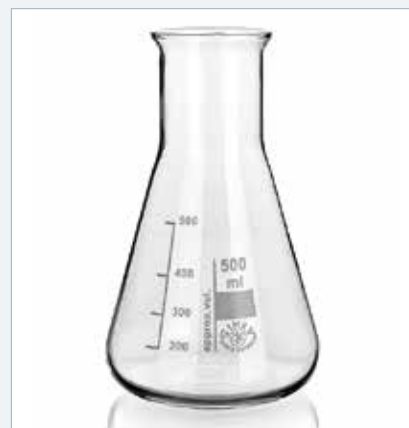
mit GL-Gewinde

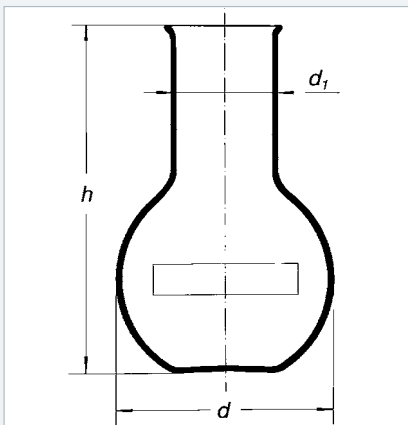
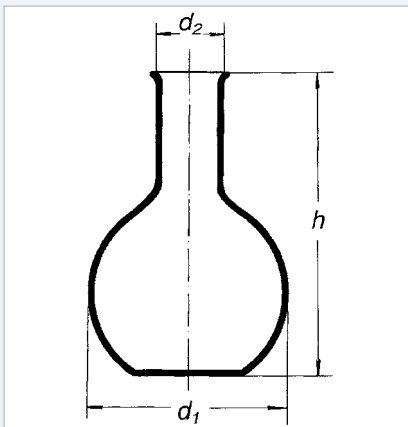
Der Becher hat ein großes Beschriftungsfeld für die Kennzeichnung des Inhaltes. Der Verschluss kann PBT¹ oder mit Membrane² (Gasaustausch) sein. Typische Verwendung: Aufbewahrung von Substanzen, Vorbereitung von Medien und Kultivierung.

Cat. No. 8023 C

Catalog No. Katalog-Nr.	Capacity (ml) Kapazität	GL	d (mm)	h (mm)	Packing (pcs) Packung (Stück)
1632426731100	100	25	64	100	10
1632426731250	250	32	85	140	10
1632426731500	500	32	105	175	10
1632426731940	1000	32	131	215	10

CSN 70 4030





FLASKS, FLAT BOTTOM, NARROW NECK, WITH RIM

Equal thickness of walls - suitable for thermic operations.

STEHKOLBEN

enghalsig, mit Bördelrand
Gleichmäßige Wanddicke
– für Wärmeoperationen geeignet.

Cat. No. 10

Catalog No. Katalog-Nr.	Capacity (ml) Kapazität	d1 (mm)	d2 (mm)	h (mm)	Packing (pcs) Packung (Stück)
1632411117050	50	51	22	100	10
1632417117100	100	64	22	110	10
1632417117250	250	85	34	140	10
1632417117500	500	105	34	170	10
1632411117940	1000	131	42	200	10
1632411117950	2000	166	50	250	6
1632411117954	4000	207	50	300	2
1632411117958	6000	236	65	340	2
1632411117966	10000	279	65	400	1

PN 70 4030 CSN 70 4041

FLASKS, FLAT BOTTOM, WIDE NECK, WITH RIM

Equal thickness of the walls - suitable for thermic operations. Wide neck simplifies filling and pouring.

STEHKOLBEN

weithalsig, mit Bördelrand
Gleichmäßige Wanddicke
– für Wärmeoperationen geeignet.
Der breite Hals ermöglicht Füllung und Reinigung.

Cat. No. 18

Catalog No. Katalog-Nr.	Capacity (ml) Kapazität	d (mm)	d1 (mm)	h (mm)	Packing (pcs) Packung (Stück)
1632411103050	50	51	34	100	10
1632411103100	100	64	34	110	10
1632411103250	250	85	50	140	10
1632411103500	500	105	50	170	10
1632411103940	1000	131	50	200	10
1632411103950	2000	166	76	250	6
1632411103954	4000	207	76	300	2
1632411103958	6000	236	89	340	2
1632411103966	10000	279	89	400	1

PN 70 4030 CSN 70 4041

FLASKS, ROUND BOTTOM, NARROW NECK, WITH RIM

Equal thickness of walls - suitable for thermic operations. Steady heating of the content.

STEHKOLBEN

enghalsig, mit Bördelrand

Gleichmäßige Wanddicke
- für Wärmeoperationen geeignet.
Gleichmäßige Erwärmung des Inhaltes.

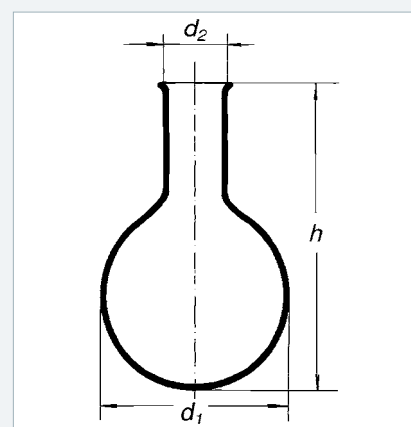
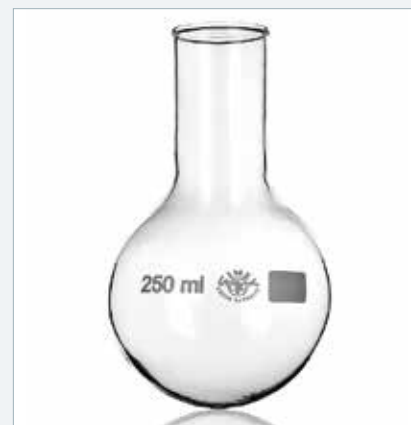
Cat. No. 15

Catalog No. Katalog-Nr.	Capacity (ml) Kapazität	d1 (mm)	d2 (mm)	h (mm)	Packing (pcs) Packung (Stück)
1632411205050	50	51	22	105	10
1632411205100	100	64	22	115	10
1632411257250	250	85	34	145	10
1632411257500	500	105	34	175	10
1632411257940	1000	131	42	210	10
1632411205950	2000	166	50	260	6
1632411205954	4000	207	50	315	2
1632411205956	5000*	222	65	330	2
1632411205958	6000	236	65	355	2
1632411205966	10000	279	65	420	1
1632411205968	20000	345	80	500	1

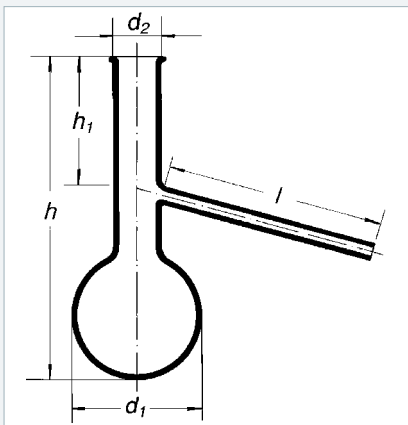
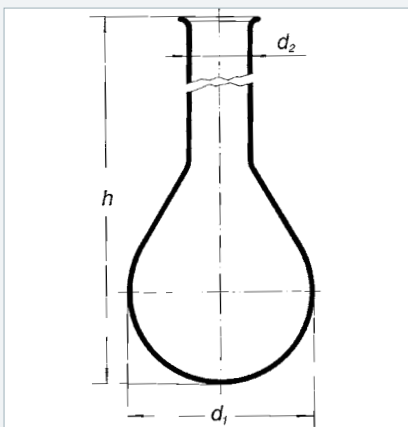
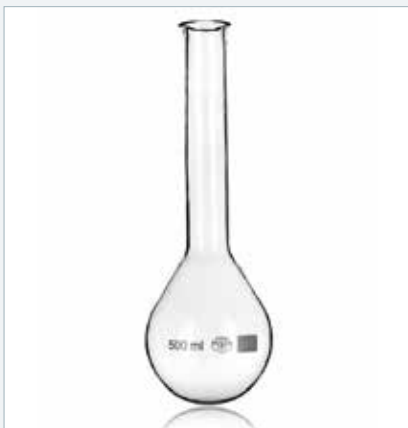
* Outside the regulation

* Abmessungen außerhalb der Norm

PN 70 4030	CSN 70 4041
---------------	----------------



NOTES / AUFZEICHNUNGEN



FLASKS KJELDAHL

Its shape enables steady heating.
Long, narrow neck keeps down fume of the content.
Typical use: determination of nitrogen in organic substances.

KJELDAHL-KOLBEN

Die Form ermöglicht eine gleichmäßige Erwärmung des Inhaltes.
Ein langer, enger Hals beschränkt die Aufwallung des Inhaltes.
Typische Verwendung: Bestimmung des Stickstoffgehalts in organischen Stoffen.

Cat. No. 51

Catalog No. Katalog-Nr.	Capacity (ml) Kapazität	d1 (mm)	d2 (mm)	h (mm)	Packing (pcs) Packung (Stück)
1632411210050	50	49	22	200	10
1632411210100	100	60	34	200	10
1632411210250	250	81	34	270	10
1632411210500	500	101	34	300	10
1632411210940	1000	126	34	350	7

PN 70 4049 CSN 70 4030

FLASKS FRACTIONATING SIDE, ARM SEALED AT THE BOTTOM THIRD PART OF NECK

Equal thickness of walls - suitable for thermic operations.

FRAKTIONNIERKOLBEN

mit angeschmolzenem Rohr im internen Drittel des Halses

Gleichmäßige Wanddicke
– für Wärmeoperationen geeignet.

Cat. No. 41 A

Catalog No. Katalog-Nr.	Capacity (ml) Kapazität	h (mm)	h1 (mm)	d1 (mm)	d2 (mm)	l (mm)	Packing (pcs) Packung (Stück)
1632425220025	25	110	46	41	22	200	10
1632425220050	50	120	46	51	22	200	10
1632425220100	100	150	58	64	22	200	10
1632425220250	250	200	76	85	34	200	10
1632425220500	500	250	96	105	34	200	5
1632425220940	1000	300	112	131	34	250	5

FLASKS FRACTIONATING SIDE, ARM SEALED AT THE MIDDLE PART OF NECK

Equal thickness of walls - suitable for
thermic operations.

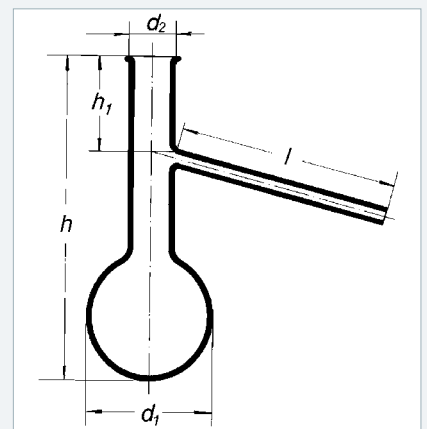
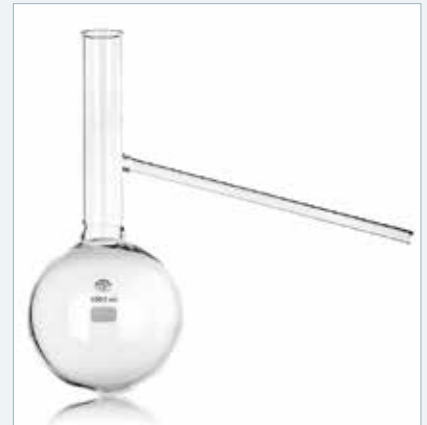
Cat. No. 41 B

Catalog No. Katalog-Nr.	Capacity (ml) Kapazität	h (mm)	h1 (mm)	d1 (mm)	d2 (mm)	l (mm)	Packing (pcs) Packung (Stück)
1632425221025	25	110	35	41	22	200	10
1632425221050	50	120	35	51	22	200	10
1632425221100	100	150	44	64	22	200	10
1632425221250	250	200	57	85	34	200	10
1632425221500	500	250	72	105	34	200	5
1632425221940	1000	300	84	131	34	250	5

FRAKTIONIERKOLBEN

mit angeschmolzenem Rohr in der Mitte
des Halses

Gleichmäßige Wanddicke
- für Wärmeoperationen geeignet.



FLASKS FRACTIONATING, ENGLER

Equal thickness of walls - suitable for
thermic operations.

Cat. No. 42

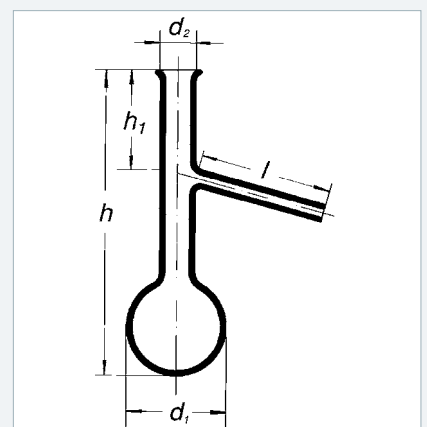
Catalog No. Katalog-Nr.	Capacity (ml) Kapazität	h (mm)	h1 (mm)	d1 (mm)	d2 (mm)	l (mm)	Packing (pcs) Packung (Stück)
1632425223100	100	215	75	64	20	100	10
1632425223125	125	215	78	68	20	100	10
1632425223250	250	215	65	85	20	100	10

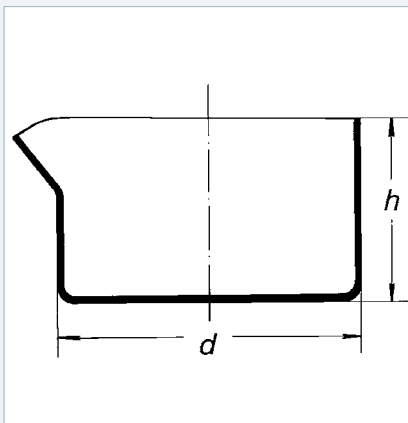
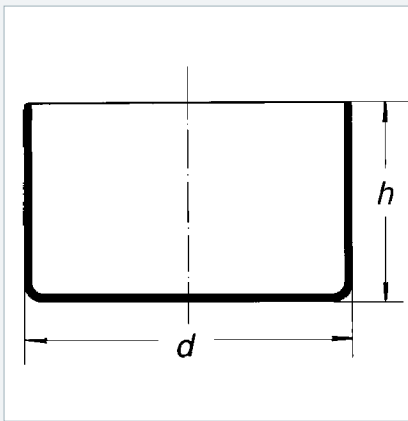
PN
70 4047

ENGER-KOLBEN

mit angeschmolzenem Rohr in der Mitte
des Halses

Gleichmäßige Wanddicke
- für Wärmeoperationen geeignet.





CRYSTALLIZING DISHES WITHOUT SPOUT

KRISTALLIERSCHALEN ohne Ausguß

Cat. No. 174

Catalog No. Katalog-Nr.	Capacity (ml) Kapazität	d (mm)	h (mm)	Packing (pcs) Packung (Stück)
1632411624040	15	40	25	10
1632411624050	20	50	30	10
1632411624060	40	60	35	10
1632411624070	50	70	40	10
1632411624080	90	80	45	10
1632411624095	200	95	55	10
1632411624115	380	115	65	10
1632411624140	650	140	75	10
1632411624190	1600	190	90	4
1632411624230	2700	230	100	4

PN 70 0121 DIN 12 337

CRYSTALLIZING DISHES WITH SPOUT

KRISTALLIERSCHALEN mit Ausguß

Cat. No. 175

Catalog No. Katalog-Nr.	Capacity (ml) Kapazität	d (mm)	h (mm)	Packing (pcs) Packung (Stück)
1632411625040	15	40	25	10
1632411625050	20	50	30	10
1632411625060	40	60	35	10
1632411625070	50	70	40	10
1632411625080	90	80	45	10
1632411625095	200	95	55	10
1632411625115	380	115	65	10
1632411625140	650	140	75	10
1632411625190	1600	190	90	4
1632411625230	2700	230	100	4

PN 70 0121 DIN 12 337

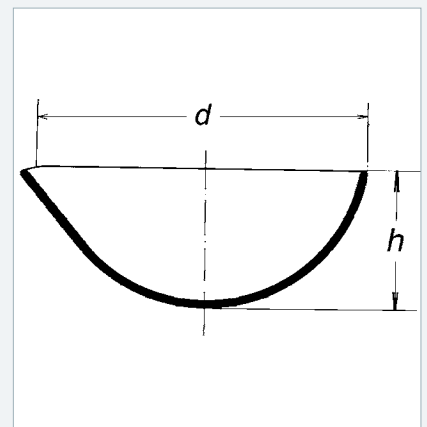
EVAPORATING DISHES,
ROUND BOTTOM,
WITH SPOUT

ABDAMPFSCHALEN
mit rundem Boden, und Ausguß

Cat. No. 177

Catalog No. Katalog-Nr.	Capacity (ml) Kapazität	d (mm)	h (mm)	Packing (pcs) Packung (Stück)
1632411604050	15	51	22	10
1632411604060	35	64	29	10
1632411604080	90	85	39	10
1632411604100	180	105	49	10
1632411604130	400	131	62	10
1632411604160	800	166	80	8
1632411604200	1700	206	100	4
1632411604230	2600	235	115	3

PN
70 0120



EVAPORATING DISHES,
FLAT BOTTOM,
WITH SPOUT

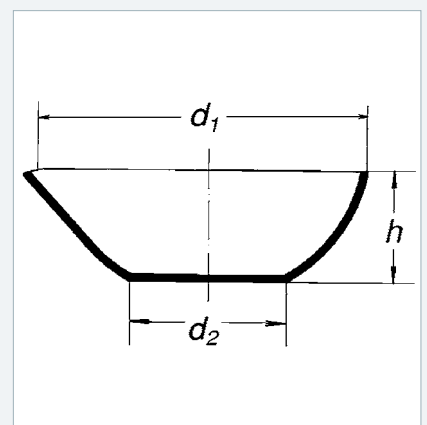
ABDAMPFSCHALEN
mit flachem Boden, und Ausguß

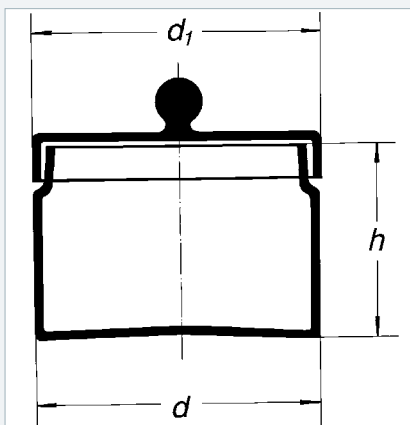
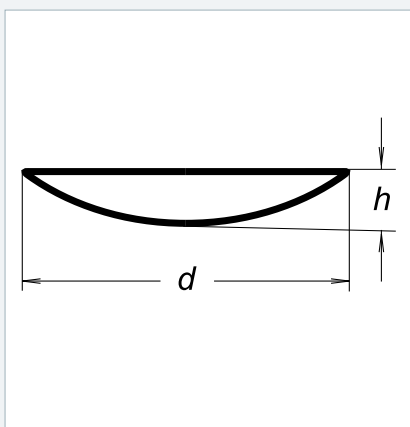
Cat. No. 179

Catalog No. Katalog-Nr.	Capacity (ml) Kapazität	d1 (mm)	d2 (mm)	h (mm)	Packing (pcs) Packung (Stück)
1632411629040	10	40	20	18	10
1632411629050	15	50	25	25	10
1632411629060	45	60	30	30	10
1632411629070	60	70	32	35	10
1632411629080	90	80	35	45	10
1632411629095	170	95	40	55	10
1632411629115	320	115	50	65	10
1632411629140	600	140	60	80	10
1632411629190	1500	190	80	100	4
1632411629230	2500	230	100	130	3

PN
70 0120

DIN
12 336





WATCH GLASS DISH

Soda-lime glass

UHRGLASSCHALE

Kalk-Soda-Glas

Cat. No. 170

Catalog No. Katalog-Nr.	Marking Markierung	d (mm)	h (mm)	Packing (pcs) Packung (Stück)
00001P13100-00016	40// 1,8	40	5,1	900
00001P13100-00017	50// 1,8	50	7	900
00001P13100-00018	60// 1,8	60	9,8	400
00001P13100-00019	70// 1,8	70	11,7	400
00001P13100-00020	80// 1,8	80	13,2	300
00001P13100-00021	90// 1,8	90	14	300
00001P13100-00022	100// 1,8	100	14,6	250
00001P13100-00023	110// 1,8	110	16	180
00001P13100-00024	120// 1,8	120	16,2	180
00001P13100-00025	125// 1,8	125	17,5	180
00001P13100-00026	140// 1,8	140	19	180
00001P13100-00027	150// 1,8	150	20,2	180
00001P13100-00128	160// 1,8	160	23	180
00001P13100-00028	175// 1,8	175	24	50
00001P13100-00029	200// 3,0	300	21,5	50
00001P13100-00030	250// 3,0	250	35	35
00001P13100-00031	300// 3,0	300	46	25

DIN
12341

BOXES WITH DROP

on cover fitted with knob, ungrounded

GLASDOSEN

mit übergreifendem Knopfdeckel

Cat. No. 2205

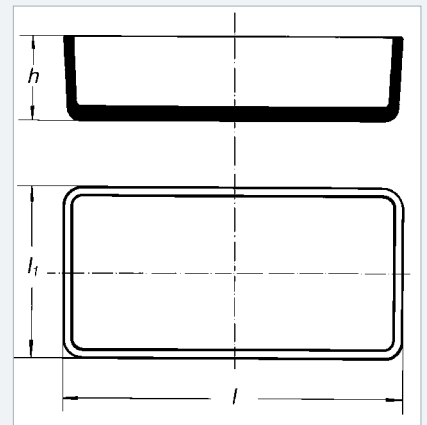
Catalog No. Katalog-Nr.	d (mm)	d1 (mm)	h (mm)	Packing (pcs) Packung (Stück)
1632516001100	100	100	70	6
1632516001120	120	120	80	6
1632516001150	150	150	95	4
1632516001200	200	200	130	2
1632516001250	250	250	150	2

PN
70 0531

ANTISEPTIC BOWL

DESINFEKTIONSSCHALE

Cat. No. 3250				
Catalog No. Katalog-Nr.	l (mm)	l1 (mm)	h (mm)	Packing (pcs) Packung (Stück)
1632531121202	200	100	100	6
1632531121203	200	100	50	6
1632531121204	250	165	60	6
1632531121205	250	165	120	3



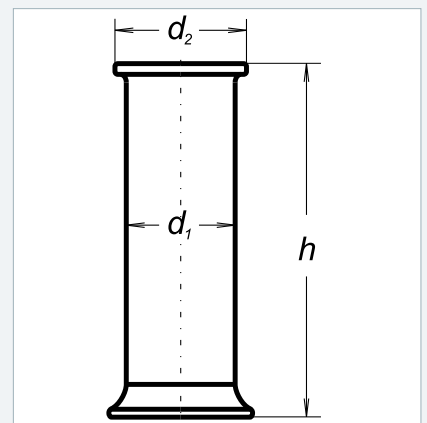
SPECIMEN JARS WITH RIM

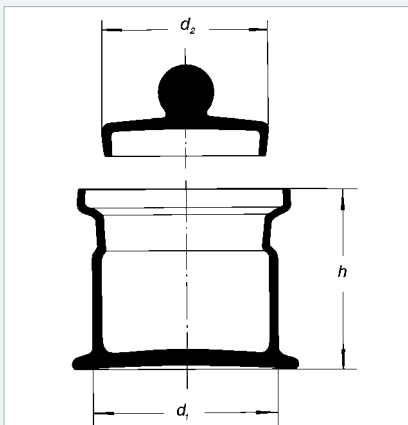
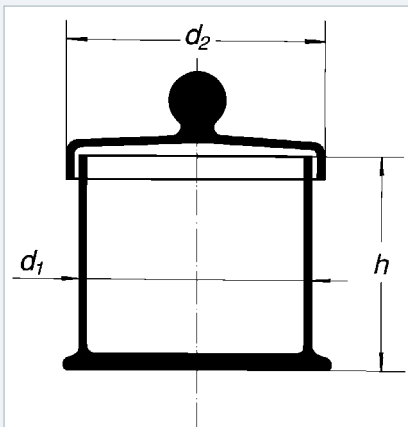
Glass with optical purity does not disfigure the view of content.
Typical use: in biology and medicine for specimen storage.

PRÄPARATENZYLINDER mit Bördelrand

Das Glas in optischer Sauberkeit verzerrt die Ansicht auf den Inhalt nicht.
Typische Verwendung: in der Biologie und Medizin für die Aufbewahrung von Präparaten.

Cat. No. 2704				
Catalog No. Katalog-Nr.	d1 (mm)	d2 (mm)	h (mm)	Packing (pcs) Packung (Stück)
1632416810516	50	65	150	10
1632416810521	50	65	200	10
1632416810526	50	65	250	8
1632416810616	60	80	150	10
1632416810621	60	80	200	10
1632416810626	60	80	250	8
1632416810631	60	80	300	8
1632416810831	80	105	300	6





JARS SPECIMEN, FOOTED, WITH LOOSE DROP

on cover, with drop

Glass with optical purity does not disfigure the view of content.

Typical use: in biology and medicine for specimen storage.

PRÄPARATENZYLINDER mit überfallendem Rand

Das Glas in optischer Sauberkeit verzerrt die Ansicht auf den Inhalt nicht.

Typische Verwendung: in der Biologie und Medizin für die Aufbewahrung von Präparaten.

Cat. No. 2708

Catalog No. Katalog-Nr.	d1 (mm)	d2 (mm)	h (mm)	Packing (pcs) Packung (Stück)
1632416130606	65	73	65	10
1632416130808	85	95	85	6
1632416131005	100	110	50	10
1632416131010	100	110	100	6
1632416131212	120	130	120	4
1632416131515	150	162	150	4
1632416132020	200	214	200	2
1632416132525	250	264	250	1
1632416133030	300	314	300	1

PN
70 0068

JARS SPECIMEN, WITH GROUND

in cover, with knob

Glass with optical purity does not disfigure the view of content.

Typical use: in biology and medicine for specimen storage.

PRÄPARATENZYLINDER mit eingeschliffenem Deckel

Das Glas in optischer Sauberkeit verzerrt die Ansicht auf den Inhalt nicht.

Typische Verwendung: in der Biologie und Medizin für die Aufbewahrung von Präparaten.

Cat. No. 2709 NT

Catalog No. Katalog-Nr.	d1 (mm)	d2 (mm)	h (mm)	Packing (pcs) Packung (Stück)
1632416150606	65	60	65	10
1632416150808	85	79	85	6
1632416151010	100	94	100	6
1632416151050	100	94	500	3
1632416151212	120	103	120	4
1632416151250	120	103	500	2
1632416151515	150	130	150	4
1632416151550	150	130	500	2

PN
70 0068

BOTTLES WEIGHING, WITH GROUND

in stopper, low form, SJ

Precise ground joint guarantee very good tightness.

WÄGEGLÄSER

mit eingeschliffenem Stopfen, niedrige Form, NS

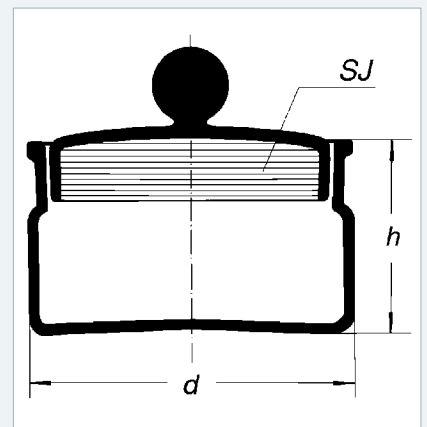
Genauer Schliff sorgt für eine sehr gute Dichte.

Cat. No. 2602 N

Catalog No. Katalog-Nr.	Capacity (ml) Kapazität	d (mm)	h (mm)	SJ	Packing (pcs) Packung (Stück)
1632421202343	11	34	30	29/12	10
1632421202503	20	50	30	45/12	10
1632421202505	54	50	50	45/12	10
1632421202603	24	60	30	50/12	10
1632421202604	48	60	40	50/12	10
1632421202605	72	60	50	50/12	10
1632421202803	46	80	30	71/12	8
1632421202804	90	80	40	71/12	8

PN
70 0126

DIN
12 605



BOTTLES WEIGHING, WITH GROUND

in stopper, tall form, SJ

Precise ground joint guarantee very good tightness.

WÄGEGLÄSER

mit eingeschliffenem Stopfen, hohe Form, NS

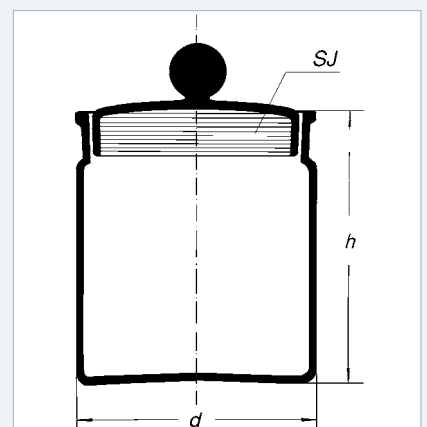
Genauer Schliff sorgt für eine sehr gute Dichte.

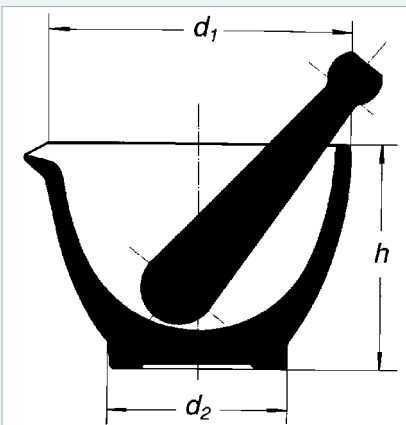
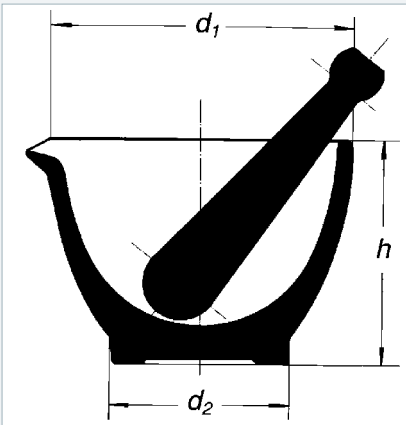
Cat. No. 2602 V

Catalog No. Katalog-Nr.	Capacity (ml) Kapazität	d (mm)	h (mm)	SJ	Packing (pcs) Packung (Stück)
1632421202244	8	24	40	19/12	10
1632421202305	20	30	50	24/12	10
1632421202306	25	30	60	24/12	10
1632421202347	42	34	70	32/12	10
1632421202408	65	40	80	34/12	10
1632421202507	88	50	70	45/12	10

PN
70 0126

DIN
12 605





**MORTARS WITH POROUT
AND PESTLE, INSIDE
ROUGH**

MÖRSER

mit Pistill und Ausguß, innen rauh

Cat. No. 2230

Catalog No. Katalog-Nr.	d1 (mm)	d2 (mm)	h (mm)	Packing (pcs) Packung (Stück)
1632538160080	80	50	60	12
1632538160100	100	60	75	12
1632538160120	120	70	90	10
1632538160150	150	85	110	8
1632538160200	200	120	135	3

PN
70 0080

**MORTARS WITH POROUT
AND PESTLE, INSIDE
GLAZED**

MÖRSER

mit Pistill und Ausguß, innen glatt

Cat. No. 2231

Catalog No. Katalog-Nr.	d1 (mm)	d2 (mm)	h (mm)	Packing (pcs) Packung (Stück)
1632538150080	80	50	60	12
1632538150100	100	60	75	12
1632538150120	120	70	90	10
1632538150150	150	85	110	8
1632538150200	200	120	135	3

PN
70 0080

BELL JARS WITH GROUND FLANGE AND KNOB

Bell jar can be used for vacuum operations.

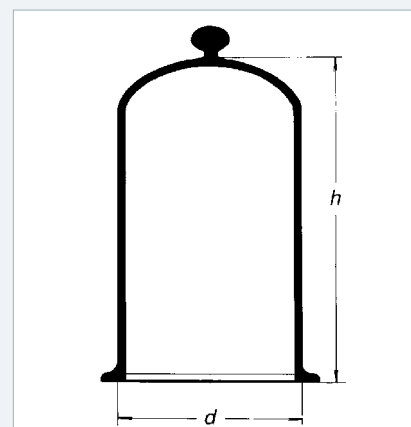
Cat. No. 2873			
Catalog No. Katalog-Nr.	d (mm)	h (mm)	Packing (pcs) Packung (Stück)
1632415501152	150	150	4
1632415501153	150	200	2
1632415501154	150	250	2
1632415501155	150	300	1
1632415501185	180	300	1
1632415501203	200	200	1
1632415501204	200	250	1
1632415501205	200	300	1
1632415501206	200	350	1
1632415501307	300	400	1

CSN
70 4309

GLOCKEN

mit Knopf und Flansch

Glocken können für Vakuumoperationen verwendet werden.



BELL JARS WITH GROUND FLANGE AND NECK SJ

Bell jar can be used for vacuum operations.

Neck with standardized ground joint.

Cat. No. 2874				
Catalog No. Katalog-Nr.	d (mm)	h (mm)	SJ	Packing (pcs) Packung (Stück)
1632415502153	150	200	29/32	2
1632415502154	150	250	29/32	2
1632415502155	150	300	29/32	1
1632415502184	180	250	29/32	1
1632415502203	200	200	29/32	1
1632415502205	200	300	29/32	1
1632415502206	200	350	29/32	1
1632415502254	250	250	34/35	1
1632415502306	300	300	34/35	1

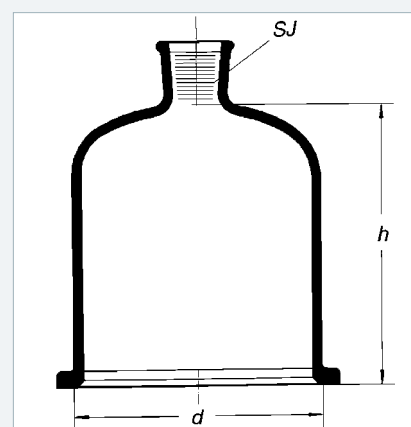
CSN
70 4309

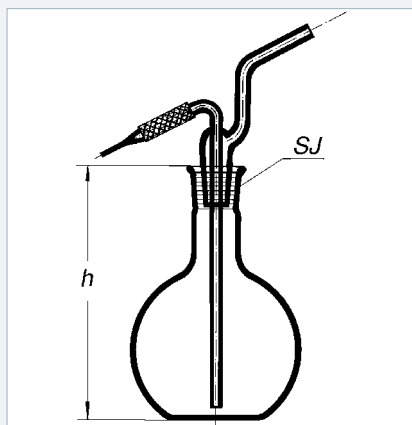
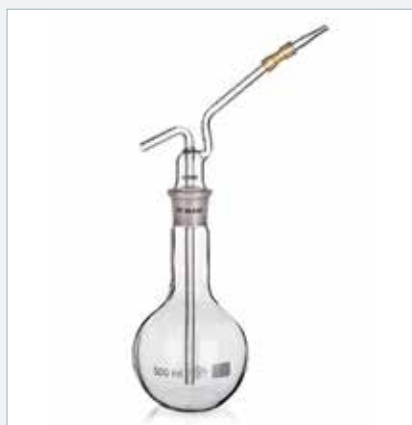
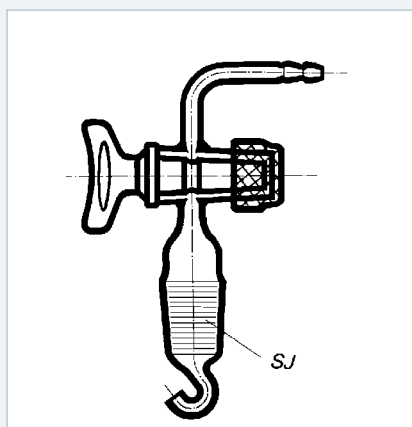
GLOCKEN

mit NS Hals und Flansch

Glocken können für Vakuumoperationen verwendet werden.

Hals mit Normschliff.





STOPCOCK FOR BELL JARS, SJ

GLASHÄHNE mit NS für Glocken

Cat. No. 2115		
Catalog No. Katalog-Nr.	SJ	Packing (pcs) Packung (Stück)
1632441328080	29/32	1
1632441328090	34/35	1

WASHING BOTTLES, COMPLETE, SJ 29/32

SPRITZFLASCHEN komplett, NS 29/32

Cat. No. 8047				
Catalog No. Katalog-Nr.	Capacity (ml) Kapazität	h (mm)	SJ	Packing (pcs) Packung (Stück)
1632426101250	250	200	29/32	10
1632426101500	500	200	29/32	8
1632426101940	1000	200	29/32	6

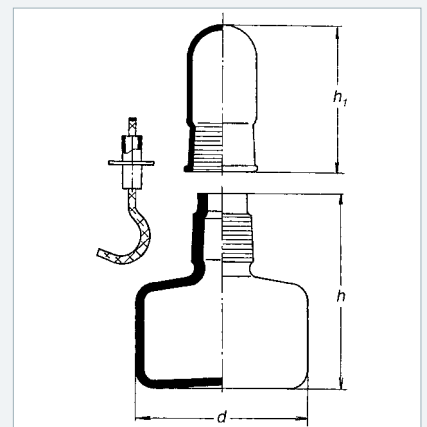
ALCOHOL LAMP, GROUND-ON CAP

SPIRITUSLAMPE mit Kappe und Docht

Cat. No. 2162

Catalog No. Katalog-Nr.	Capacity (ml) Kapazität	d (mm)	h (mm)	h1 (mm)	Packing (pcs) Packung (Stück)
1632534104050	50	62	70	60	10
1632534104100	100	70	80	60	10
1632534104200	200	84	84	60	10

CSN
70 4309



BOTTLES WOULFF, THREE NECKS SJ

Necks for connection to plant.

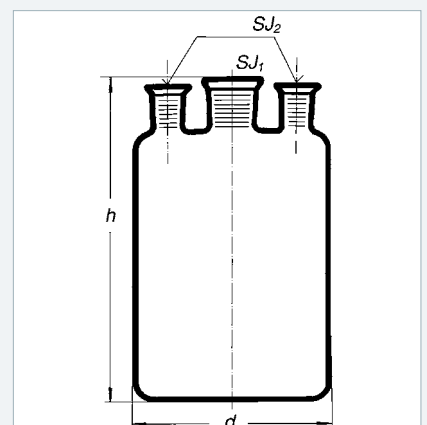
WOULFFSCHE FLASCHEN mit drei NS Hälsen

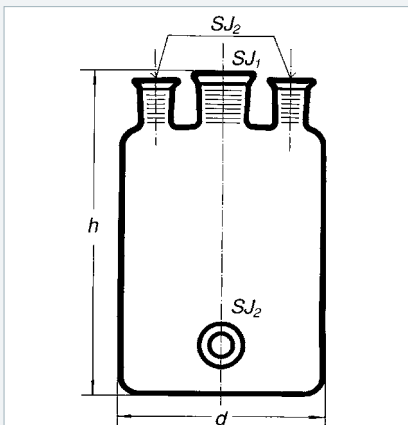
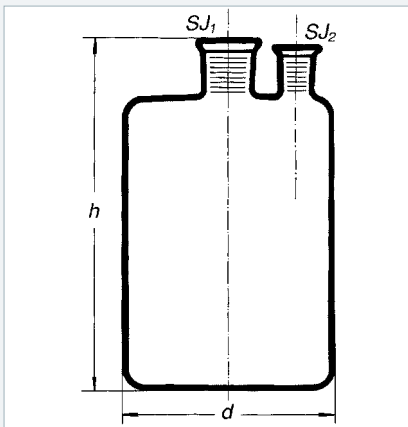
Hals für den Anschluss an Apparaturen

Cat. No. 2030

Catalog No. Katalog-Nr.	Capacity (ml) Kapazität	d (mm)	h (mm)	SJ1	SJ2	Packing (pcs) Packung (Stück)
1632415043500	500	95	145	19/26	19/26	4
1632415043940	1000	110	180	24/29	19/26	4
1632415043950	2000	135	225	29/32	19/26	3
1632415043956	5000	180	316	45/40	24/29	3
1632415043966	10000	225	380	50/42	29/32	1
1632415043967	15000	260	420	50/42	29/32	1

PN
70 4606





BOTTLES WOULFF, TWO NECKS SJ

Necks for connection to plant.

WOULFFSCHE FLASCHEN

mit zwei NS Hälsen

Hals für den Anschluss an Apparaturen

Cat. No. 2032

Catalog No. Katalog-Nr.	Capacity (ml) Kapazität	d (mm)	h (mm)	SJ1	SJ2	Packing (pcs) Packung (Stück)
1632415042500	500	95	145	19/26	19/26	4
1632415042940	1000	110	180	24/29	19/26	4
1632415042950	2000	135	225	29/32	19/26	3
1632415042956	5000	180	316	45/40	24/29	3
1632415042966	10000	225	380	50/42	29/32	1
1632415042967	15000	260	420	50/42	29/32	1

PN
70 4606

BOTTLES WOULFF, THREE NECKS AND OUTLET AT BOTTOM.

Necks for connection to plant.

WOULFFSCHE FLASCHEN

mit drei NS Hälsen und Bodentubus

Hals für den Anschluss an Apparaturen

Cat. No. 2034

Catalog No. Katalog-Nr.	Capacity (ml) Kapazität	d (mm)	h (mm)	SJ1	SJ2	Packing (pcs) Packung (Stück)
1632415045500	500	95	145	19/26	19/26	4
1632415045940	1000	110	180	24/29	19/26	4
1632415045950	2000	135	225	29/32	19/26	3
1632415045956	5000	180	316	45/40	24/29	3
1632415045966	10000	225	380	50/42	29/32	1
1632415045967	15000	260	420	50/42	29/32	1

PN
70 4606

WOULF BOTTLES WITH NECK AND OUTLET

Necks for connection to plant.

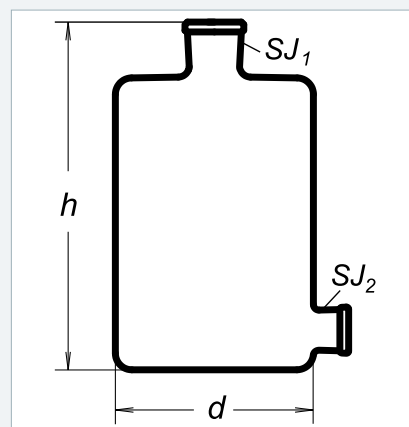
WOULFFSCHE FLASCHEN mit Hals und Bodentubus

Cat. No. 2035						
Catalog No. Katalog-Nr.	Capacity (ml) Kapazität	d (mm)	h (mm)	SJ1	SJ2	Packing (pcs) Packung (Stück)
1632415041500	500	95	145	19/26	19/26	4
1632415041940	1000	110	180	24/29	19/26	4
1632415041950	2000	135	225	29/32	19/26	3
1632415041956	5000	180	316	45/40	24/29	1
1632415041957	5000	180	316	45/40	29/32*	1
1632415041966	10000	225	380	50/42	29/32	1
1632415041967	15000	260	420	50/42	29/32	1
1632415041968	20000	278	502	50/42	29/32	1

* Outside the regulation

* Abmessungen außerhalb der Norm

PN
70 4606



BOTTLES WOULFF, WITH GROUND

in SJ stopper and outlet stopcock

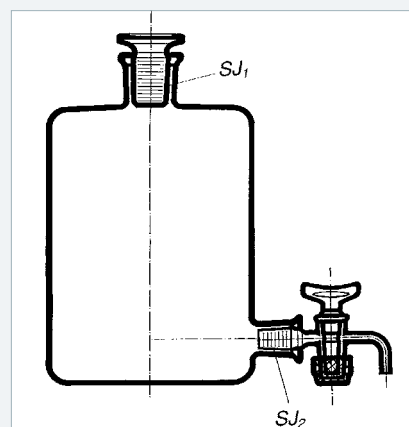
Bottles suitable for abstersion.

ABKLÄRFLASCHEN

mit NS – Stopfen und NS – Hahn am Boden

Flaschen für Reinigung geeignet.

Cat. No. 2038				
Catalog No. Katalog-Nr.	Capacity (ml) Kapazität	h (mm)	SJ	Packing (pcs) Packung (Stück)
1632415046500	500	19/26	19/26	4
1632415046940	1000	24/29	19/26	4
1632415046950	2000	29/32	19/26	3
1632415046956	5000	45/40	24/29	3
1632415046966	10000	50/42	29/32	1
1632415046967	15000	50/42	29/32	1
1632415046968	20000	50/42	29/32	1





DROPPING BOTTLES WITH GROUND

in pipette stopper, clear

Typical use: titration, pH assesment.

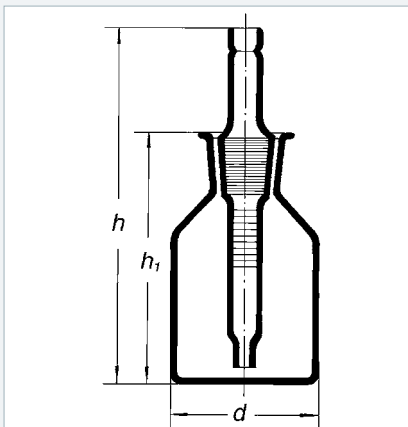
TROPFFLASCHEN

mit austauschbarer Pipette NS, klar

Typische Verwendung: Titration,
pH-Bestimmung.

Cat. No. 2016 B

Catalog No. Katalog-Nr.	Capacity (ml) Kapazität	d (mm)	h (mm)	h1 (mm)	SJ2	Packing (pcs) Packung (Stück)
1632425020050	50	41.5	107	77	14/15	30
1632425020100	100	51.5	133	103	14/23	30
1632425020250	250	69.0	161	131	19/26	30



DROPPING BOTTLES WITH GROUND

in pipette stopper, amber

Typical use: titration, pH assesment.

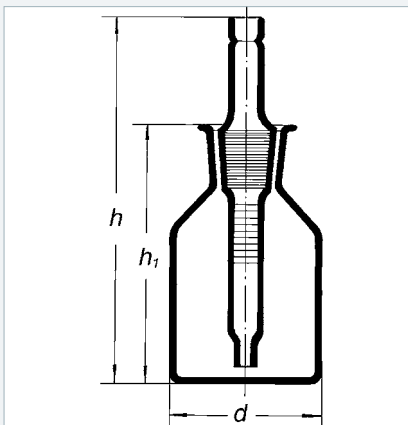
TROPFFLASCHEN

mit austauschbarer Pipette NS, braun

Typische Verwendung: Titration,
pH-Bestimmung.

Cat. No. 2016 H

Catalog No. Katalog-Nr.	Capacity (ml) Kapazität	d (mm)	h (mm)	h1 (mm)	SJ2	Packing (pcs) Packung (Stück)
1632425023050	50	41.5	107	77	14/15	30
1632425023100	100	51.5	133	103	14/23	30
1632425023250	250	69.0	161	131	19/26	30



BOTTLES GAS WASHING, DRECHSLER

Bottles gas washing with screwing.
Adjustable depth profile of extender. All
parts are exchangeable and are provided
as replacement parts.
Typical use: cleaning (washing) gas.

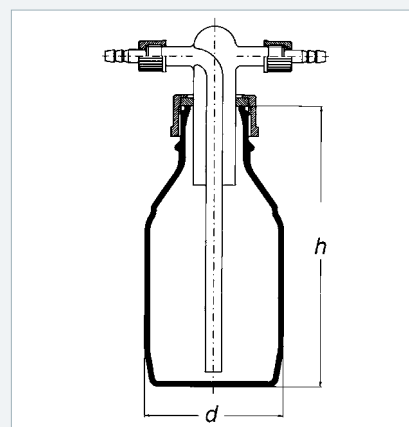
GASWASCHFLASCHEN

nach Drechsler

Die Gaswaschflasche mit Verschrau-
bung. Justierbare Tiefe Eintauchen
des Aufsatzes. Alle Bestandteile sind
austauschbar und werden als Ersatzteile
geliefert.
Typische Verwendung: Reinigung
(Waschen) von Gas.

Cat. No. 2451

Catalog No. Katalog-Nr.	Capacity (ml) Kapazität	GL	d (mm)	h (mm)	Packing (pcs) Packung (Stück)
1632426205500	500	45	86	176	1



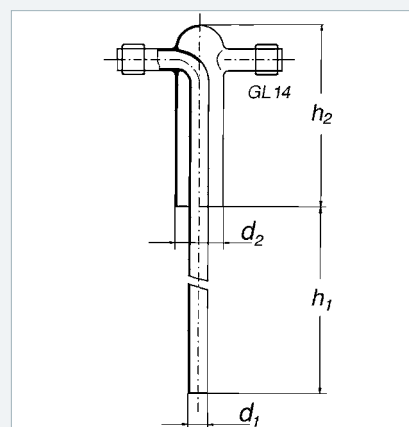
ADAPTORS FOR BOTTLES GAS WASHING, DRECHSLER

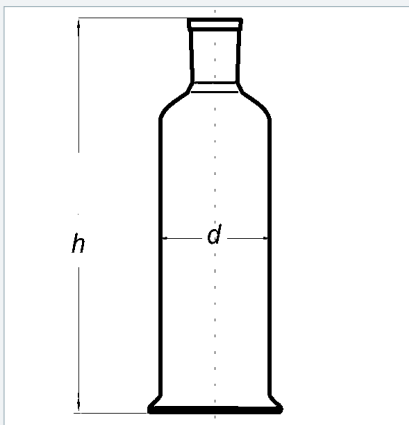
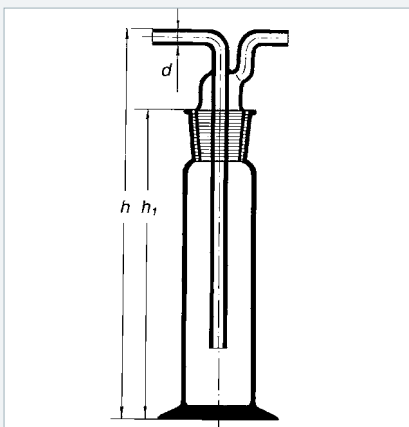
AUFSÄTZE FÜR GASWASCHFLASCHEN

nach Drechsler

Cat. No. 2451 N

Catalog No. Katalog-Nr.	GL	d1/d2 (mm)	h1/h2 (mm)	Packing (pcs) Packung (Stück)
1632441636111	14	10/26	117/100	4





BOTTLES GAS WASHING, DRECHSLER, SJ 29/32

Bottles gas washing with NZ. Constant depth profile of extender. Both bottle and extender are exchangeable and are provided as replacement parts.
Typical use: cleaning (washing) gas.

GASWASCHFLASCHEN

nach Drechsler

Die Gaswaschflasche mit Verschraubung. Justierbare Tiefe Eintauchen des Aufsatzes. Alle Bestandteile sind austauschbar und werden als Ersatzteile geliefert.
Typische Verwendung: Reinigung (Waschen) von Gas.

Cat. No. 2450

Catalog No. Katalog-Nr.	Capacity (ml) Kapazität	d (mm)	h (mm)	h1 (mm)	Packing (pcs) Packung (Stück)
1632426201100	100	8	250	200	10
1632426201250	250	8	250	200	10
1632426201500	500	8	250	200	10
1632426201940	1000	8	250	200	10

BOTTLES TO GASWASHING ACC. DRECHSLER, SJ 29/32

GASWASCHFLASCHEN

nach Drechsler, NS 29/32

Cat. No. 2450 L

Catalog No. Katalog-Nr.	Capacity (ml) Kapazität	d (mm)	h (mm)	Packing (pcs) Packung (Stück)
1632426201101	100	40	200	10
1632426201251	250	54	200	10
1632426201501	500	75	200	10
1632426201941	1000	110	200	10

PN
70 4057

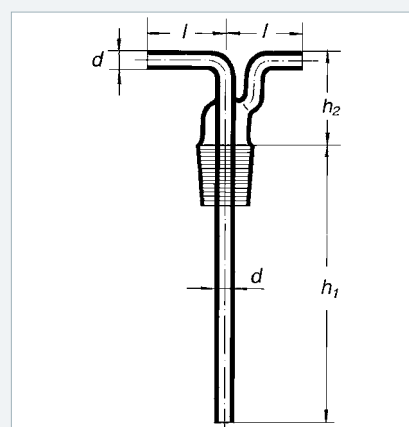
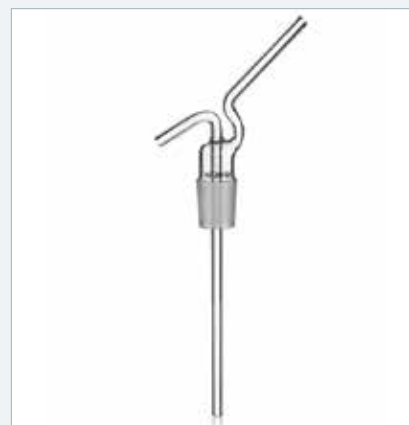
ADAPTORS FOR BOTTLES GAS WASHING, DRECHSLER, SJ 29/32

AUFSÄTZE FÜR GASWASCHFLASCHEN

nach Drechsler, NS 29/32

Cat. No. 8163

Catalog No. Katalog-Nr.	d (mm)	h1 (mm)	h2 (mm)	l (mm)	Packing (pcs) Packung (Stück)
1632441634080	8	180	50	40	10



BOTTLES GAS WASHING WITH SINTERED DISC

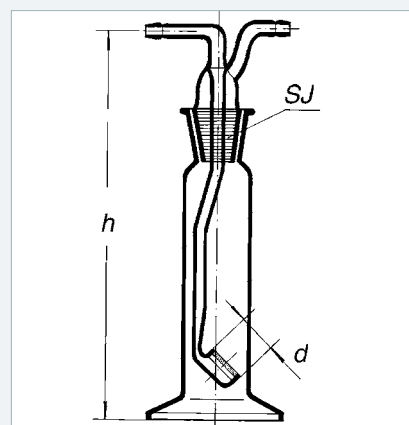
Typical use: cleaning (washing) gas.

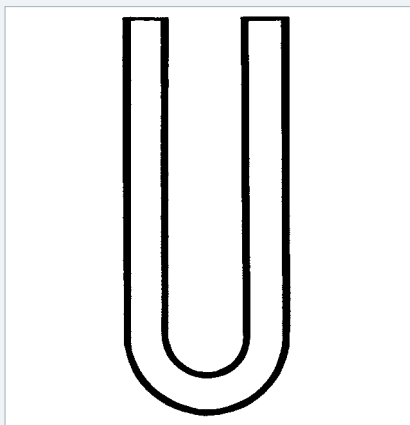
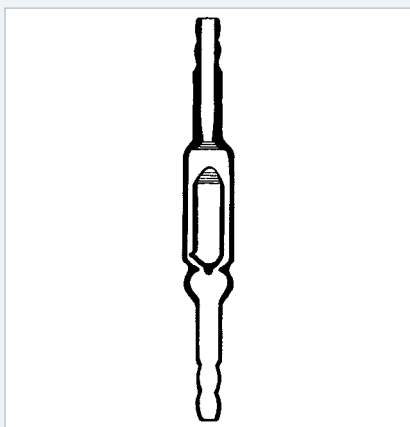
FRITTEN – WASCHFLASCHE

Typische Verwendung: Reinigung
(Waschen) von Gas.

Cat. No. 815

Catalog No. Katalog-Nr.	Granulity Korngröße	Capacity (ml) Kapazität	h (mm)	h1 (mm)	SJ2	Packing (pcs) Packung (Stück)
1632442281102	s1	100	20	250	29/32	1
1632442281202	s2	100	20	250	29/32	1
1632442281103	s1	250	30	250	45/40	1
1632442281203	s2	250	30	250	45/40	1





REVERSE VALVE, STRAIGHT

It prevents reflux of the liquids in plants.

RÜCKSCHLAGVENTIL, GERADE

Ventil in den Apparaturen verhindert den Rückfluss der Flüssigkeiten.

Cat. No. 7805

Catalog No. Katalog-Nr.	d (mm)	d1 (mm)	l (mm)	Packing (pcs) Packung (Stück)
1632444004000	16	8	150	1

U-TUBES

Typical use: absorption, picking dirt, raw filtration.

U - RÖHRE

Typische Verwendung: Absorption, Aufnahme von Schmutz, grobe Filtration.

Cat. No. 7754

Catalog No. Katalog-Nr.	d (mm)	l (mm)	Packing (pcs) Packung (Stück)
1632449959927	12	200	1

CONNECTING TUBES, T-SHAPE, WITH HOSE CONNECTIONS

For connection of hoses in plants.

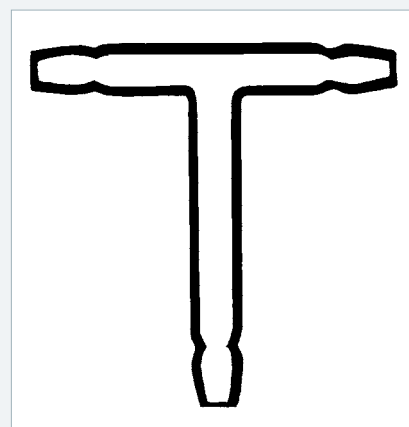
VERBINDUNGSRÖHRE, T - FORM

mit Oliven

Für die Rohrverbindung in den Apparaturen.

Cat. No. 7576

Catalog No. Katalog-Nr.	d (mm)	l (mm)	Packing (pcs) Packung (Stück)
1632523231506	8	60	50



TUBE, U-SHAPED, WITH TWO SIDE ARMS

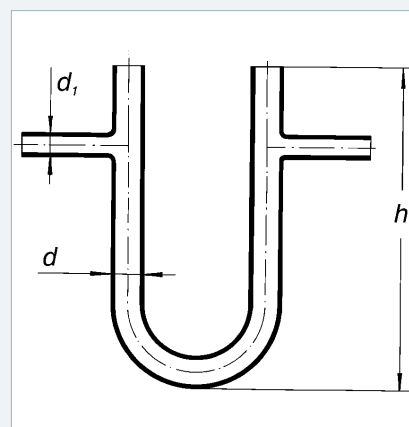
Typical use: absorption, picking dirt, raw filtration.

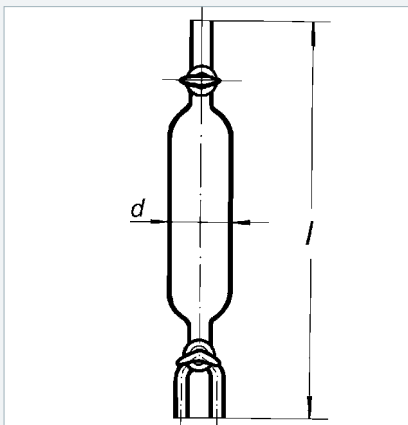
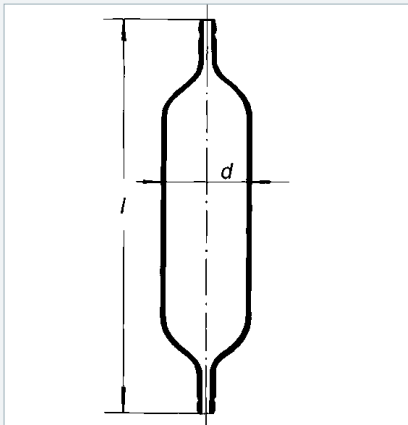
U - RÖHRE MIT ZWEI SEITENRÖHREN

Typische Verwendung: Absorption, Aufnahme von Schmutz, grobe Filtration.

Cat. No. 7755

Catalog No. Katalog-Nr.	d (mm)	d1 (mm)	h (mm)	Packing (pcs) Packung (Stück)
1632443807100	10	6	80	1
1632443807120	12	6	100	1
1632443807121	12	6	120	1
1632443807140	14	8	120	10
1632443807160	16	8	150	10
1632443807180	18	8	150	10





**TUBE GAS COLLECTING,
WITH TWO HOSE
CONNECTIONS**

**GASSAMMELRÖHRE
mit zwei Oliven**

Cat. No. 7500 GT

Catalog No. Katalog-Nr.	Capacity (ml) Kapazität	d (mm)	l (mm)	Packing (pcs) Packung (Stück)
1632443611100	100	38	200	10
1632443611150	150	42	210	10
1632443611250	250	52	230	10
1632443611500	500	68	260	10
1632443611940	1000	86	320	6
1632443611950	2000	110	390	1

**TUBE GAS COLLECTING
with one straight bore, stopcock and
with one three ways stopcock**

**GASSAMMELRÖHRE
mit einem Einweg und einem Dreiweg-
hahn**

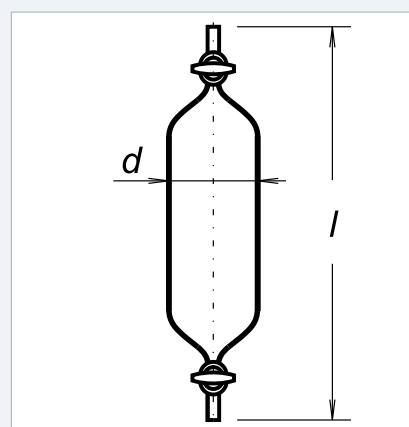
Cat. No. 7500

Catalog No. Katalog-Nr.	Capacity (ml) Kapazität	d (mm)	l (mm)	Packing (pcs) Packung (Stück)
1632443606100	100	38	235	10
1632443606150	150	42	245	10
1632443606250	250	52	280	10
1632443606500	500	68	310	9
1632443606940	1000	86	390	6
1632443606950	2000	110	460	3

SAMPLE SET FOR GAS

GASSAMMELRÖHRE

Cat. No. 7501				
Catalog No. Katalog-Nr.	Capacity (ml) Kapazität	d (mm)	l (mm)	Packing (pcs) Packung (Stück)
1632443607250	250	52	270	10



PIPETTE AUTOMAT. KIPP WITH BOTTLE SJ 29/32

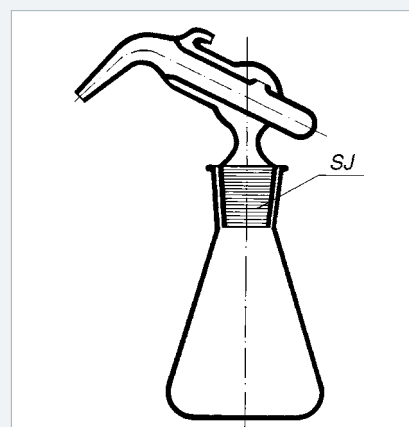
Enables easy, quick and repeated dosage of constant capacity.

KIPP-AUTOMAT

mit NS 29/32 und mit Vorratsflasche

Kipp-Automat ermöglicht eine einfache, schnelle und wiederholte Dosierung von Konstantvolumen.

Cat. No. 7365				
Catalog No. Katalog-Nr.	Capacity (ml) Kapazität	Container volume (ml) Behältervolumen (ml)	SJ	Packing (pcs) Packung (Stück)
1632446003001	1	250	29/32	10
1632446003002	2	250	29/32	10
1632446003005	5	250	29/32	10
1632446003010	10	500	29/32	8
1632446003020	20	500	29/32	8
1632446003025	25	500	29/32	8
1632446003030	30	1000	29/32	6
1632446003050	50	1000	29/32	6







DESICCATORS

EXSIKKATOREN

DESICCATORS

Desiccators are used for the desiccation of moist substances or for the storage of materials sensitive to air humidity.

Their construction enables usage of vacuum processes. Both the contact surface of the lid and the bottom of the desiccator are precision ground. All parts of the desiccator are exchangeable and therefore can be provided as replacement parts. The different design of particular parts enables the user to compile the desiccator as necessary. Please pay close attention to specified diameter of combined parts.

EXSIKKATOREN

Die Exsikkatoren werden für die Trocknung von feuchten Substanzen oder für die Aufbewahrung von Stoffen verwendet, die gegen Luftfeuchte empfindlich sind.

Ihre Konstruktion ermöglicht es, Vakuum zu verwenden. Die Lauffläche des Deckels und des Unterteils des Exsikkators ist genau eingeschliffen. Es ist jeweils vor der Absaugung erforderlich, die Integrität der Wände und des Einschliffs zu überprüfen. Alle Teile des Exsikkators sind austauschbar und werden deshalb als Ersatzteile geliefert. Die unterschiedliche Ausführung der Einzelteile ermöglicht es, den Exsikkator nach Bedarf zusammenzubauen. Es ist auf den Nenndurchmesser von kombinierten Teilen zu achten.

DESICCATOR

with glass knob

Desiccator is made from Simax 3.3 borosilicate Glass. It is designed for a variety of vacuum work. All parts are exchangeable and can be provided as replacement parts.
Typical use: desiccation of samples, storage of materials sensitive to humidity.

EXSIKKATOR

mit Glasknopfdeckel

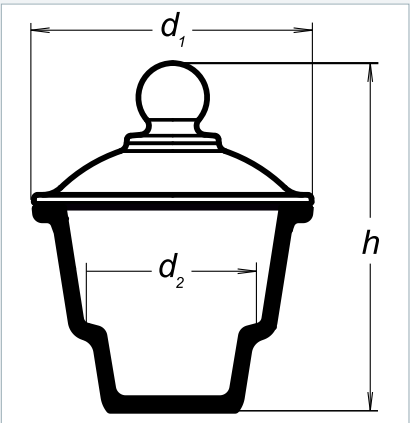
Der Exsikkator wird aus Borosilikatglas 3.3 SIMAX hergestellt. Er ist auch für die Verwendung unter Vakuum konstruiert. Alle Teile sind austauschbar und werden als Ersatzteile geliefert.
Typische Verwendung: Trocknung von Proben, Aufbewahrung von feuchteempfindlichen Stoffen.

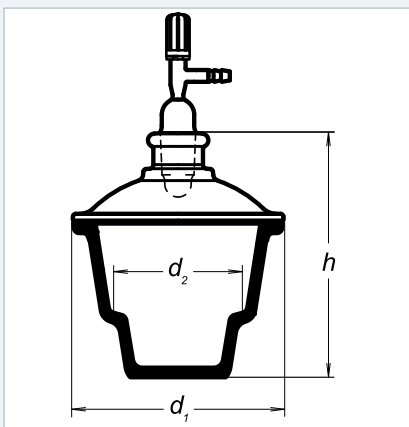
Cat. No. 280 K					
Catalog No. Katalog-Nr.	Type Typ	d1 (mm)	d2 (mm)	h (mm)	Packing (pcs) Packung (Stück)
1632415280103	100	153	94	191	1
1632415280153	150	215	143	261	1
1632415280203	200	270	192	311	1
1632415280253	250	320	239	363	1
1632415280303	300	380	285	438	1

ISO
13 130

DIN
12 491

NOTES / AUFZEICHNUNGEN





DESICCATORS

with nz 24/29 and valve

Desiccator is made from SIMAX 3.3 borosilicate Glass. It is designed for a variety of vacuum work. All parts are exchangeable and can be provided as replacement parts.

Typical use: desiccation of samples, storage of materials sensitive to humidity.

EXSIKKATOR

mit NS 24/29 und Ventil

Der Exsikkator wird aus Borosilikatglas 3.3 SIMAX hergestellt. Er ist auch für die Verwendung unter Vakuum konstruiert. Alle Teile sind austauschbar und werden als Ersatzteile geliefert.

Typische Verwendung: Trocknung von Proben, Aufbewahrung von feuch-
teempfindlichen Stoffen.

Cat. No. 280T

Catalog No. Katalog-Nr.	Type Typ	d1 (mm)	d2 (mm)	h (mm)	Packing (pcs) Packung (Stück)
1632415280104	100	153	94	177	1
1632415280154	150	215	143	247	1
1632415280204	200	270	192	300	1
1632415280254	250	320	239	349	1
1632415280304	300	380	285	424	1

ISO
13 130

DIN
12 491

NOTES / AUFZEICHNUNGEN

BOTTOMS FOR
DESICCATORS, ONLY
GLASS

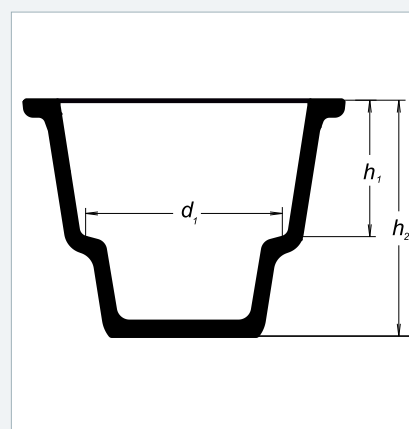
EXSIKKATORUNTERTEIL

Cat. No. 280 S

Catalog No. Katalog-Nr.	Type Typ	d1 (mm)	d2 (mm)	h (mm)	Packing (pcs) Packung (Stück)
1632415280100	100	94	66	113	1
1632415280150	150	143	91	158	1
1632415280200	200	192	119	203	1
1632415280250	250	239	131	238	1
1632415280300	300	285	160	288	1

ISO
13 130

DIN
12 491



LIDS FOR DESICCATORS

with glass knob

EXSIKKATORDECKEL

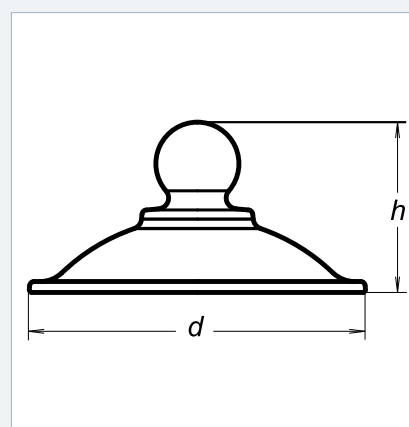
mit Glasknopf

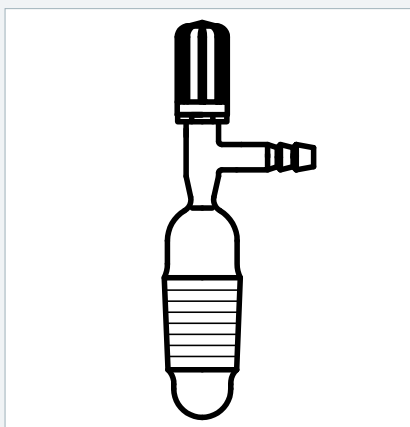
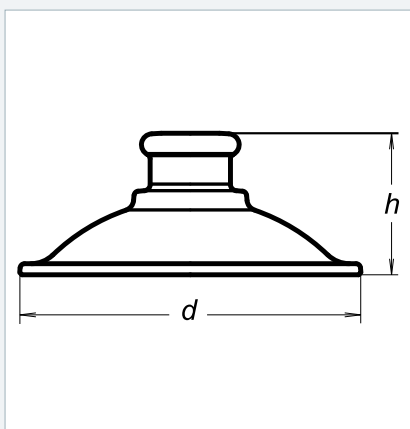
Cat. No. 280 V/K

Catalog No. Katalog-Nr.	Type Typ	d (mm)	h (mm)	Packing (pcs) Packung (Stück)
1632415280101	100	153	78	1
1632415280151	150	215	103	1
1632415280201	200	270	108	1
1632415280251	250	320	125	1
1632415280301	300	380	150	1

ISO
13 130

DIN
12 491





LIDS FOR DESICCATORS

with nz 24/29

EXSIKKATORDECKEL

mit NS 24/29

Cat. No. 280 V/T

Catalog No. Katalog-Nr.	Type Typ	d (mm)	h (mm)	Packing (pcs) Packung (Stück)
1632415280102	100	153	64	1
1632415280152	150	215	89	1
1632415280202	200	270	97	1
1632415280252	250	320	111	1
1632415280302	300	380	136	1

ISO
13 130

DIN
12 491

DESICCATOR VALVES

EXSIKKATORVENTIL

Cat. No. 280 V

Catalog No. Katalog-Nr.	NZ	Packing (pcs) Packung (Stück)
1632442652207	24/29	1

ISO
13 130

DIN
12 491

PORCELAIN PLATE

to desiccators

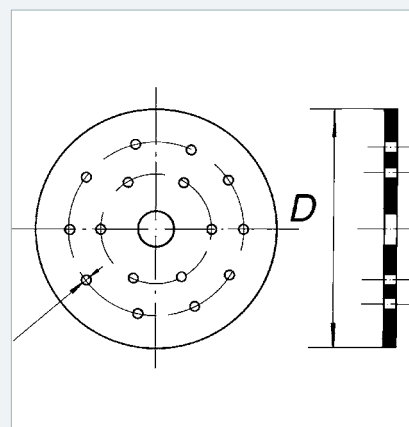
PORZELANPLATTE

für Exsikkator

Cat. No. 280 V/T

Catalog No. Katalog-Nr.	D average of plate Plattendurchmesser	Labelling Kennzeichnung	d (mm)	Packing (pcs) Packung (Stück)
9180003206	90	138/1	100	1
9180003207	140	138/2	150	1
9180003208	190	138/3	200	1
9180003209	235	138/4	250	1
9180003210	280	138/5	300	1

DIN
12911



NOTES / AUFZEICHNUNGEN





**GLASS FOR
MICROBIOLOGY**

**GLÄSER FÜR DIE
MIKROBIOLOGIE**

GLASS FOR MICROBIOLOGY

Glass for microbiology must fulfill the needs of this field: thermal endurance (sterilization, digester), optical and geometrical qualities - transparency, flatness (microscopy) and chemical indifference (zero influence on culture). Most of the products are made of SIMAX. This chapter contains Petri dish, tubes of different shapes and cultivaing bottles (Roux, Black).

GLÄSER FÜR DIE MIKROBIOLOGIE

Die Gläser für die Mikrobiologie müssen den Anforderungen dieser Branche entsprechen: Wärmebeständigkeit (Sterilisierung, Autoklave), optische und geometrische Eigenschaften - Klarheit, Ebenheit (Mikroskopie) und chemische Trägheit (Nullauswirkung auf die Kulturen). Die meisten Produkte sind aus Glas SIMAX hergestellt. Dieses Kapitel enthält Petrischalen, Reagenzgläser unterschiedlicher Ausführung und Kulturflaschen (Roux, Black).

DISHES PETRI, BLOWN BORO 3.3

Dishes are made of 3.3 SIMAX borosilicate glass. Advanced technology used in production guarantees equal lay of substrate and excellent optical properties. Typical use: biology, health service, cultivation of micro-organisms, microscopy.

PETRISCHALE

mundgeblasen BORO 3.3

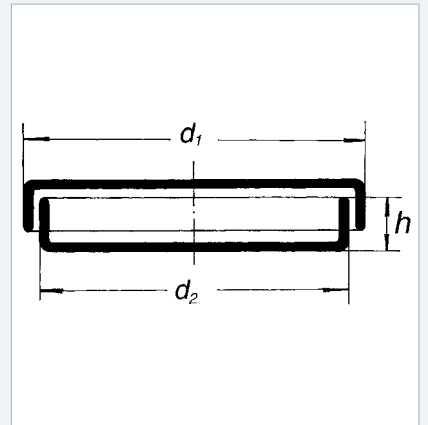
Die Schalen sind aus Borosilikatglas 3.3 SIMAX hergestellt. Die Herstellungstechnologie sorgt für eine gleichmäßige Verteilung des Nährbodens und ausgezeichnete optische Eigenschaften der Schalen.

Typische Verwendung: Biologie, Gesundheitswesen, Kultivierung von Mikroorganismen, Mikroskopie.

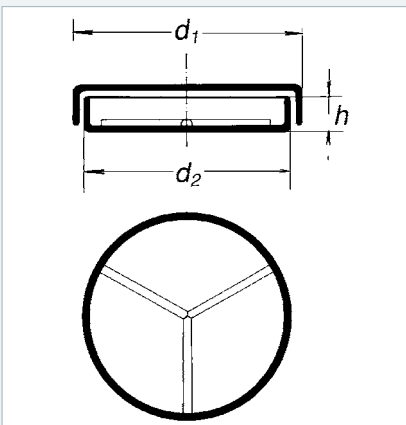
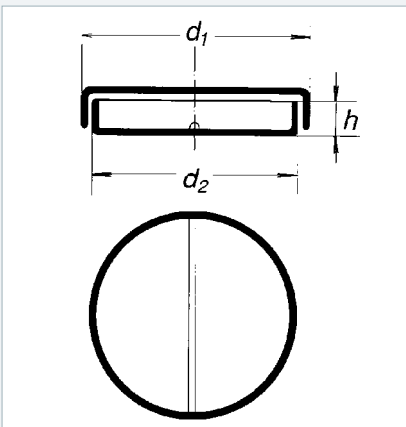
Cat. No. 2290

Catalog No. Katalog-Nr.	d1 (mm)	d2 (mm)	h (mm)	Packing (pcs) Packung (Stück)
1632491001058	200	190	35	8
1632491001071	250	240	50	7
1632491001076	300	288	52	10

PN
70 0531



NOTES / AUFZEICHNUNGEN



DISHES PETRI, BLOWN, BOTTOM DIVIDED IN TWO PARTITIONS, BORO 3.3

Dishes are made of 3.3 SIMAX borosilicate glass. Dishes with divided bottoms are suitable for comparative tests. Typical use: biology, health care, cultivation of micro-organisms, microscopy.

PETRISCHALE

mundgeblasen, mit Halsteilung
BORO 3.3

Die Schalen sind aus Borosilikatglas 3.3 SIMAX hergestellt. Die Schalen mit Halsteilung sind für Vergleichsteste geeignet.

Typische Verwendung: Biologie, Gesundheitswesen, Kultivierung von Mikroorganismen, Mikroskopie.

Cat. No. 2296

Catalog No. Katalog-Nr.	d1 (mm)	d2 (mm)	h (mm)	Packing (pcs) Packung (Stück)
1632491005080	80	75	15	24
1632491005100	100	94	20	12
1632491005120	120	114	20	12

DISHES PETRI, BOTTOM DIVIDED IN THREE PARTITIONS, BORO 3.3

Dishes are made of 3.3 SIMAX borosilicate glass. Dishes with divided bottoms are suitable for comparative tests. Typical use: biology, health care, cultivation of micro-organisms, microscopy.

PETRISCHALE

mundgeblasen, mit Drittelsteilung
BORO 3.3

Die Schalen sind aus Borosilikatglas 3.3 SIMAX hergestellt. Die Schalen mit Drittelsteilung sind für Vergleichsteste geeignet.

Typische Verwendung: Biologie, Gesundheitswesen, Kultivierung von Mikroorganismen, Mikroskopie.

Cat. No. 2297

Catalog No. Katalog-Nr.	d1 (mm)	d2 (mm)	h (mm)	Packing (pcs) Packung (Stück)
1632491006080	80	75	15	24
1632491006100	100	94	20	12
1632491006120	120	114	20	12

PN
70 0531

DISHES PETRI, BLOWN, BOTTOM DIVIDED TO FOUR PARTITIONS, BORO 3.3

Dishes are made of 3.3 SIMAX borosilicate glass. Dishes with divided bottoms are suitable for comparative tests. Typical use: biology, health care, cultivation of micro-organisms, microscopy.

PETRISCHALE

mundgeblasen, mit Viertelteilung
BORO 3.3

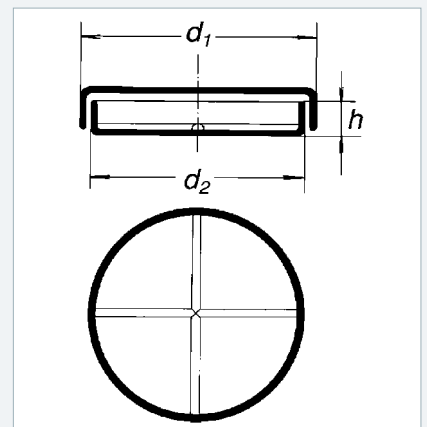
Die Schalen sind aus Borosilikatglas 3.3 SIMAX hergestellt. Die Schalen mit Viertelteilung sind für Vergleichsteste geeignet.

Typische Verwendung: Biologie, Gesundheitswesen, Kultivierung von Mikroorganismen, Mikroskopie.

Cat. No. 2298

Catalog No. Katalog-Nr.	d1 (mm)	d2 (mm)	h (mm)	Packing (pcs) Packung (Stück)
1632491007080	80	75	15	24
1632491007100	100	94	20	12
1632491007120	120	114	20	12

PN
70 0531



DISHES PETRI

Soda-lime Glass

PETRISCHALE

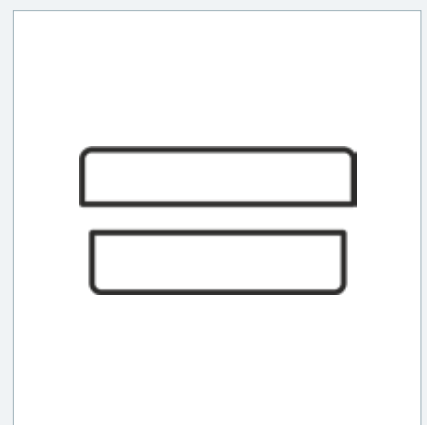
Kalk-Soda-Glas

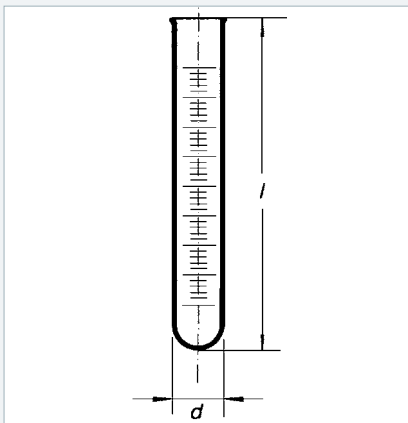
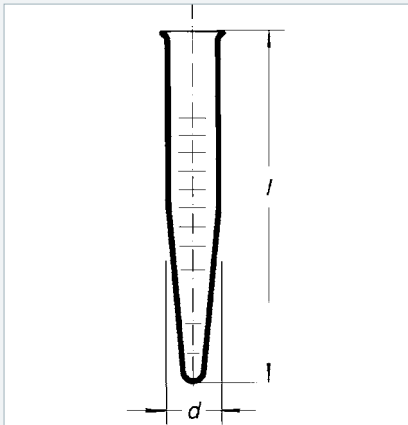
Cat. No. 2280

Catalog No. Katalog-Nr.	Marking Markierung	d1 bottom (mm)/ d Unterseite (mm)	h1 bottom (mm)/ h1 Unterseite (mm)	d2 lid (mm)/ d2 Deckel (mm)	h2 lid (mm)/ h2 Deckel (mm)
00001P13100-00001	40//12 1,8	35	10,5	40	8,5
00001P13100-00002	50//12 1,8	44	10,5	50	8,5
00001P13100-00003	60//12 1,8	54	10,5	60	8,5
00001P13100-00004	60//15 1,8	54	13,5	60	12
00001P13100-00005	70//15 1,8	64	13,5	70	12
00001P13100-00006	80//15 1,8	74	13,5	80	12
00001P13100-00007	90//15 1,8	84	13,5	90	12
00001P13100-00008	100//10 1,8	94	8	100	6
00001P13100-00009	100//15 1,8	94	13,5	100	12,5
00001P13100-00010	100//20 1,8	94	18,5	100	15
00001P13100-00011	120//20 1,8	114	18,5	120	15
00001P13100-00012	150//25 1,8	142	24	150	20
00001P13100-00013	180//30 1,8	172	30	180	25
00001P13100-00014	200//30 1,8	190	29	200	23
00001P13100-00015	200//50 1,8	190	48	200	40

PN
70016018

ISO
13132





TUBES CENTRIFUGE

graduated

Tubes are more mechanically resistant. They are designed for use in centrifuge. Typical use: separation of materials with higher density by centrifugation.

ZENTRIFUGENGLÄSER

graduiert

Die Gläser sind mechanisch beständiger, und sind für den Einsatz in Zentrifugen vorgesehen.

Typische Verwendung: Trennung von Stoffen mit einer höheren Dichte durch Ausschleudern.

Cat. No. 3822

Catalog No. Katalog-Nr.	Capacity (ml) Kapazität	d (mm)	l (mm)	Packing (pcs) Packung (Stück)
1632437210819	10	17	120	50
1632437210821	15	18	140	50
1632437210823	25	24	150	50

CSN EN
ISO 4142

TEST TUBES WITH RIM, GRADUATED

Tubes are thin-walled. Graduated scale enables the easy reading of capacities.

REAGENZGLÄSER

mit aufgetriebenem Rand, graduiert
Die Gläser sind dünnwandig. Die Skala ermöglicht es, Volumen abzulesen.

Cat. No. 7832

Catalog No. Katalog-Nr.	Capacity (ml) Kapazität	Graduatio division Teilung	d (mm)	l (mm)	Packing (pcs) Packung (Stück)
1632437010719	10	0.1	13	150	50
1632437010721	15	0.1	15	160	50
1632437010822	20	0.2	17	160	50
1632437010823	25	0.2	17	190	50
1632437010925	50	0.5	22	250	50

CSN EN
ISO 4142

TEST TUBES GRADUATED

with sj 14/15 and glass stopper

Tubes are provided with graduations. Glass stopper with standardized ground joint guarantees tightness. They are suitable for storage of small amounts of materials.

REAGENZGLÄSER, GRADUIERT

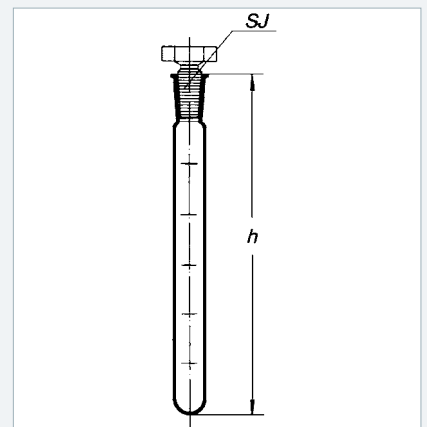
mit Glasstopfen, NS 14/15

Die kalibrierten Reagenzgläser sind graduiert. Der Glasstopfen mit Normschliff sorgt für die Dichtheit. Sie sind auch für die Aufbewahrung von kleineren Stoffmengen geeignet.

Cat. No. 7841

Catalog No. Katalog-Nr.	Capacity (ml) Kapazität	SJ (mm)	h (mm)	Packing (pcs) Packung (Stück)
1632437860297	25	14/15	190	50

CSN EN
ISO 4142



TEST TUBES WITHOUT RIM

round bottom

Absence of rim is suitable for cover type Kapsenberg. Typical use: cultivation and storage of cultures in microbiology.

REAGENZGLÄSER MIT RUNDEM BODEN

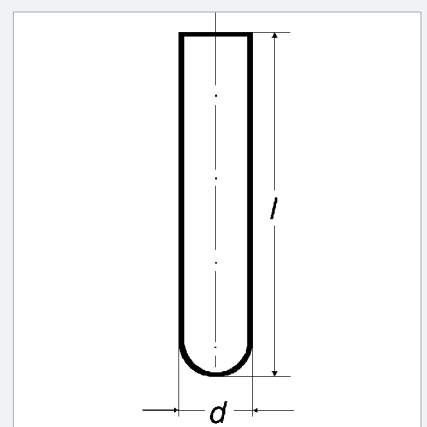
Rand gerade

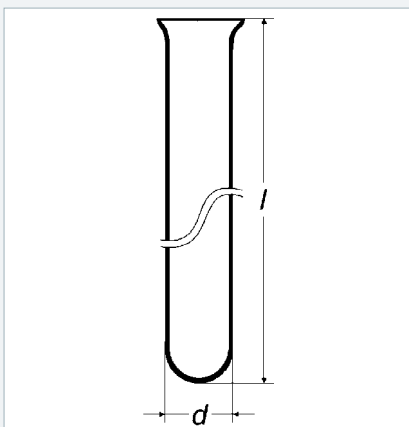
Der gerade Rand an den Reagenzgläsern ist für den Kapsenberg-Verschluss geeignet. Typische Verwendung: Kultivierung und Aufbewahrung von Kulturen in der Mikrobiologie.

CSN EN
ISO 4142

Cat. No. 3840

Catalog No. Katalog-Nr.	d (mm)	l (mm)	t (mm)	Packing (pcs) Packung (Stück)
1632422008107	8	70	1.0	100
1632422010107	10	75	1.0	100
1632422010110	10	100	1.0	100
1632422012107	12	75	1.0	100
1632422012110	12	100	1.0	100
1632422014113	14	130	1.0	100
1632422016115	16	150	1.2	100
1632422016116	16	160	1.2	100
1632422018118	18	180	1.2	100
1632422020115	20	150	1.2	100
1632422020118	20	180	1.2	100
1632422024115	24	150	1.2	50
1632422024120	24	200	1.2	50
1632422030120	30	200	1.4	50





TEST TUBES WITH RIM, ROUND BOTTOM

Rim simplifies the manipulation of content

REAGENZGLÄSER MIT RUNDEM BODEN

Rand aufgetrieben

Der aufgetriebene Rand erleichtert den Umgang mit dem Inhalt.

Cat. No. 7830

Catalog No. Katalog-Nr.	d (mm)	l (mm)	t (mm)	Packing (pcs) Packung (Stück)
1632422108107	8	70	1.0	100
1632422110107	10	75	1.0	100
1632422110110	10	100	1.0	100
1632422112107	12	75	1.0	100
1632422112110	12	100	1.0	100
1632422114113	14	130	1.0	50
1632422114114	14	140	1.0	50
1632422116115	16	150	1.2	100
1632422116116	16	160	1.2	100
1632422118115	18	150	1.2	50
1632422118118	18	180	1.2	100
1632422120115	20	150	1.2	100
1632422120118	20	180	1.2	100
1632422124115	24	150	1.2	50
1632422124120	24	200	1.2	50
1632422130120	30	200	1.4	50

CSN EN
ISO 4142

NOTES / AUFZEICHNUNGEN

TEST TUBES WITH CONICAL BOTTOM, WITHOUT RIM

Tubes with conical bottom to highlight the readout of amounts of sediment.

Cat. No. 3820

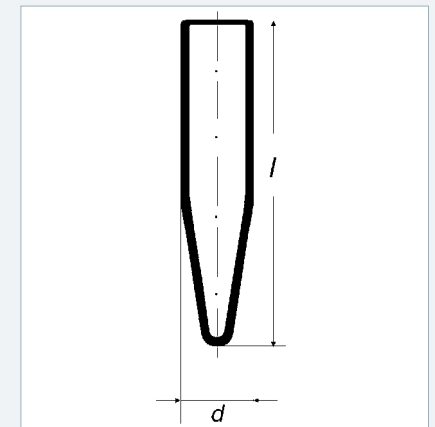
Catalog No. Katalog-Nr.	d (mm)	l (mm)	t (mm)	Packing (pcs) Packung (Stück)
1632422409210	9	100	1.5	50
1632422414208	14	80	1.5	50
1632422416212	16	120	1.8	50

CSN EN
ISO 4142

REAGENZGLÄSER MIT SPITZBODEN, konisch, Rand gerade

konisch, Rand gerade

Die Reagenzgläser mit konischem Boden machen den Abzug der Menge des Sediments deutlicher.



TEST TUBES WITH CONICAL BOTTOM, WITH RIM

Tubes with conical bottom to highlight the readout of amounts of sediment.

Cat. No. 3821

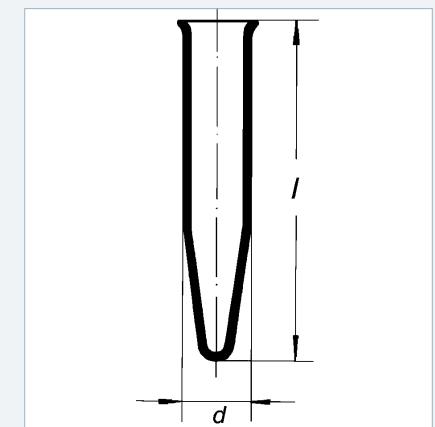
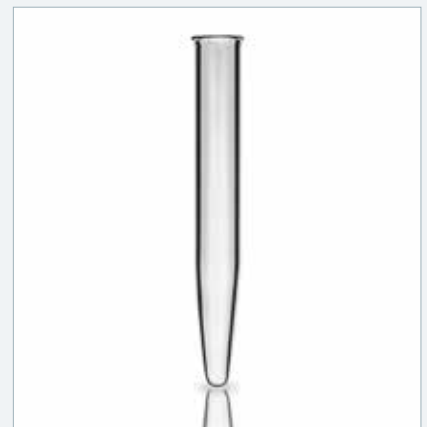
Catalog No. Katalog-Nr.	d (mm)	l (mm)	t (mm)	Packing (pcs) Packung (Stück)
1632422514210	14	100	1.5	50
1632422514212	14	120	1.5	50
1632422515108	15	80	1.2	50
1632422515110	15	100	1.2	50
1632422516210	16	100	1.8	50
1632422516212	16	120	1.8	50
1632422517112	17	120	1.2	50

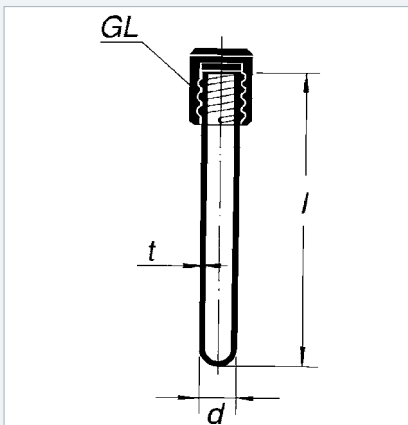
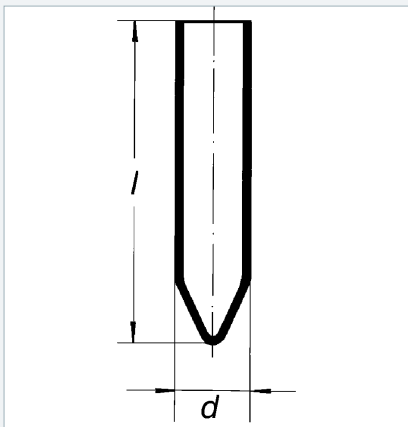
CSN EN
ISO 4142

REAGENZGLÄSER MIT SPITZBODEN, konisch, Rand gerade

konisch, Rand gerade

Die Reagenzgläser mit konischem Boden machen den Abzug der Menge des Sediments deutlicher.





CENTRIFUGES TEST TUBES WITH CONICAL BOTTOM, WITHOUT RIM

Tubes with conical bottom highlight the readout of amount of sediments. They are designed for use in centrifuge.

ZENTRIFUGENGLÄSER MIT SPITZBODEN,

Rand gerade

Die Reagenzgläser mit konischem Boden machen den Abzug der Menge des Sediments deutlicher. Sie sind für den Einsatz in Zentrifugen vorgesehen.

Cat. No. 2801

Catalog No. Katalog-Nr.	d (mm)	l (mm)	t (mm)	Packing (pcs) Packung (Stück)
1632422417290	17	98	1.8	50
1632422424290	24	98	1.8	50
1632422436290	36	98	2.0	50
1632422440211	40	115	2.3	50

CSN EN
ISO 4142

TEST TUBES WITH ROUND BOTTOM

and with screw gl

Absence of rim is suitable for cover type Kapsenberg. Screw for plastic spiral cover. Tubes are suitable for cultivation of micro-organism.

Typical use: cultivation and storage of cultures in microbiology.

REAGENZGLÄSER MIT RUNDEM BODEN

und GL-Gewinde

Der gerade Rand der Reagenzgläser ist für den Kapsenberg-Verschluss geeignet. Gewinde für Kunststoffschraubverschluss. Die Reagenzgläser sind sehr für die Kultivierung von Mikroorganismen geeignet.

Typische Verwendung: Kultivierung und Aufbewahrung von Mikroorganismen.

Cat. No. 3830

Catalog No. Katalog-Nr.	d (mm)	l (mm)	t (mm)	GL	Packing (pcs) Packung (Stück)
1632422631610	16	100	1.8	18	100
1632422631612	16	120	1.8	18	100
1632422631616	16	160	1.8	18	100
1632422631618	16	180	1.8	18	100

CSN EN
ISO 4142

TEST TUBES FOR SAMPLES WITH FROSTED LABEL

and with sj stopper, with marked label

Tubes with ground glass stopper and label for description of contents. Suitable for storage of small amounts of substances.

REAGENZGLÄSER FÜR PROBEN

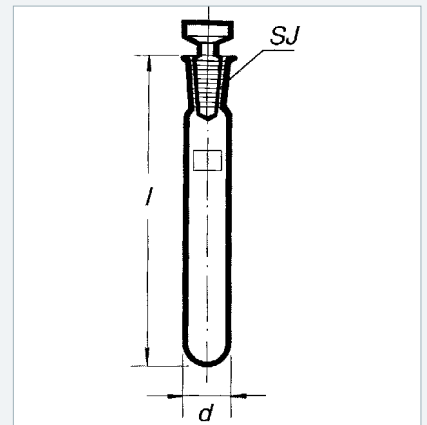
mit Mattschild und NS Stopfen

Reagenzgläser mit eingeschliffenem Glasstopfen und Beschriftungsschild. Geeignet für die Aufbewahrung von kleineren Substanzmengen.

Cat. No. 8547

Catalog No. Katalog-Nr.	d (mm)	l (mm)	t (mm)	SJ	Packing (pcs) Packung (Stück)
1632422811621	16	150	1.8	12/21	50
1632422811821	18	180	1.8	14/23	50
1632422812222	22	150	1.8	19/26	50
1632422812221	22	200	1.8	19/26	50
1632422813421	34	200	2.0	29/32	16

CSN EN
ISO 4142



TEST TUBES WITH METAL CAP, ROUND BOTTOM

Thin-walled tubes with conical neck and metal cap.

REAGENZGLÄSER MIT RUNDEM BODEN

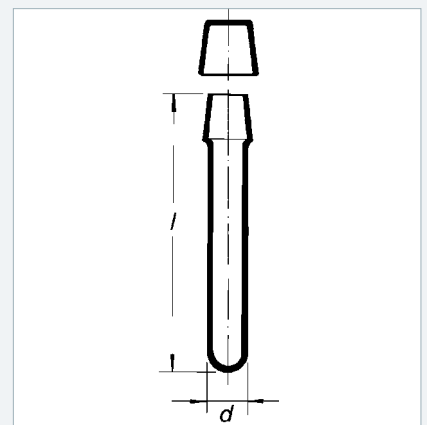
und Metallverschluss

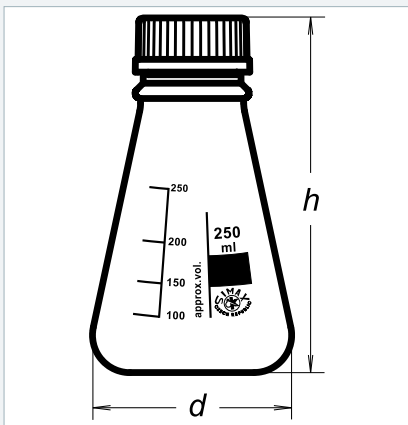
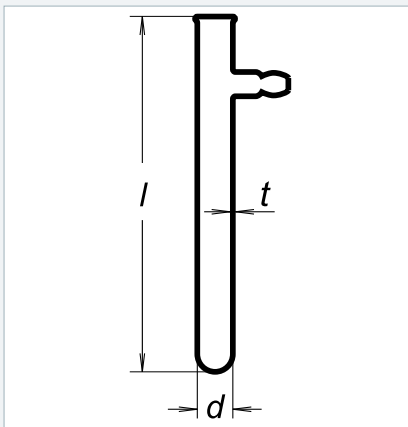
Dünnwandige Reagenzgläser mit Konushals und Metallverschluss.

Cat. No. 7834

Catalog No. Katalog-Nr.	d (mm)	l (mm)	t (mm)	Packing (pcs) Packung (Stück)
1632422821711	17	120	1.2	100
1632422821712	17	160	1.2	100

CSN EN
ISO 4142





FILTERING TEST TUBES

Tubes with thicker walls and side outlet, suitable for exhaustion.

SAUGREAGENZGLÄSER

Reagenzgläser mit einer dickeren Wand und Seitenausführung, für die Absaugung geeignet.

Cat. No. 7835

Catalog No. Katalog-Nr.	d (mm)	l (mm)	t (mm)	Packing (pcs) Packung (Stück)
1632422831621	16	160	1.8	100

CSN EN
ISO 4142

BOTTLES ERLENMEYER, GL 45

ERLENMEYER-KOLBEN mit GL 45

Cat. No. 8023 GL

Catalog No. Katalog-Nr.	Capacity (ml) Kapazität	d (mm)	h (mm)	Packing (pcs) Packung (Stück)
1632414941250	250	85	150	10
1632414941500	500	105	185	10
1632414941940	1000	131	225	10
1632414941950	2000	160	290	10

TP
12/70

BOTTLES ERLIENMEYER, BAFFLED, GL 45

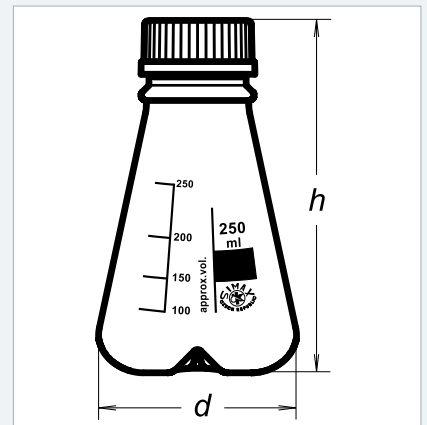
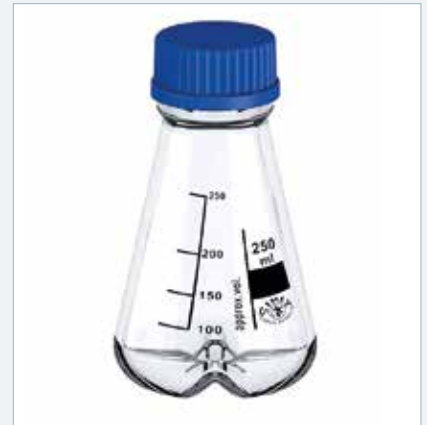
ERLIENMEYER-KOLBEN MIT SCHIKANEN

mit GL 45

Cat. No. 8023 GLP

Catalog No. Katalog-Nr.	Capacity (ml) Kapazität	d (mm)	h (mm)	Packing (pcs) Packung (Stück)
1632414931250	250	85	150	10
1632414931500	500	105	185	10
1632414931940	1000	131	225	10
1632414931950	2000	160	290	6

TP
12/70



CULTURE FLASKS ROUX, CENTRAL NECK

Flat bottles with large surface area for substance. Neck for standardized ground joint.

Typical use: preparation of culture on substance in microbiology.

KULTURFLASCHE NACH ROUX

Hals in der Mitte

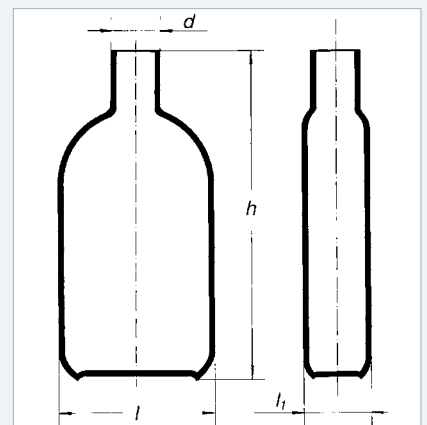
Flache Flaschen mit einer großen Fläche für Nährboden gleichmäßiger Dicke.

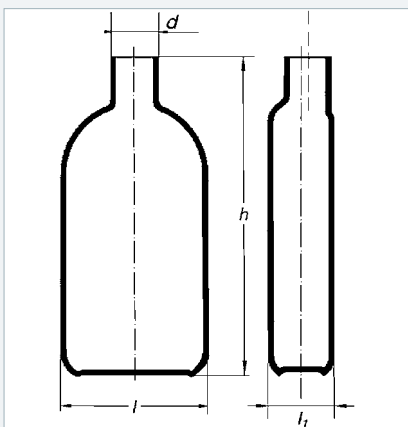
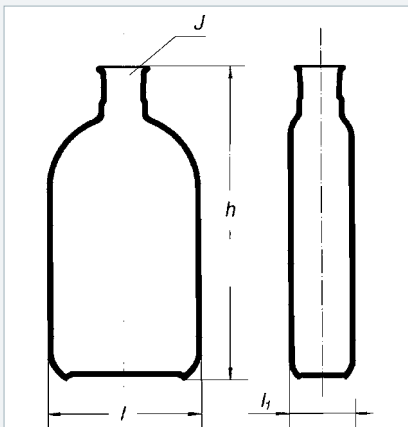
Typische Verwendung: Vorbereitung von Kulturen im Nährboden in der Mikrobiologie.

Cat. No. 70

Catalog No. Katalog-Nr.	Capacity (ml) Kapazität	l (mm)	l1 (mm)	h (mm)	d (mm)	Packing (pcs) Packung (Stück)
1632411502100	75	60	25	125	20	10
1632411502300	250	80	35	180	25	16
1632411502500	450	95	42	195	30	8
1632411502942	1000	120	55	255	32	6
1632411502950	2000	150	70	320	40	5

PN
70 6812





CULTURE FLASKS ROUX, NECK CONICAL IN THE MIDDLE, FORMED FOR STANDARD JOINT

Flat bottles with large surface area for substance. Neck for standardized ground joint.
Typical use: preparation of culture on substance in microbiology.

KULTURFLASCHE NACH ROUX

Hals in der Mitte, für Schliff vorbereitet

Flache Flaschen mit einer großen Fläche für Nährboden. Hals für Normschliff.
Typische Verwendung: Vorbereitung von Kulturen im Nährboden in der Mikrobiologie.

Cat. No. 70 T

Catalog No. Katalog-Nr.	Capacity (ml) Kapazität	l (mm)	l1 (mm)	h (mm)	d (mm)	Packing (pcs) Packung (Stück)
1632411507100	75	60	25	125	14/15	10
1632411507300	250	80	35	180	19/17	16
1632411507500	450	95	42	195	24/20	8
1632411507942	1000	120	55	255	24/20	6
1632411507950	2000	150	70	320	29/22	5

PN
70 6812

CULTURE FLASKS ROUX, SIDE NECK

Flat bottles with large surface area for substance.
Typical use: preparation of culture on substance in microbiology.

KULTURFLASCHE NACH ROUX

mit Seitenhals

Flache Flaschen mit einer großen Fläche für Nährboden.
Typische Verwendung: Vorbereitung von Kulturen im Nährboden in der

Cat. No. 70 A

Catalog No. Katalog-Nr.	Capacity (ml) Kapazität	l (mm)	l1 (mm)	h (mm)	d (mm)	Packing (pcs) Packung (Stück)
1632411503300	250	80	35	180	25	16
1632411503500	450	95	42	195	30	8
1632411503942	1000	120	55	255	32	6
1632411503950	2000	150	70	320	40	5

PN
70 6812

CULTURE FLASKS ROUX, NECK CONICAL EXCENTRIC, FORMED FOR STANDARD JOINT

Flat bottles with large surface area for substance. Neck for standardized ground joint.
Typical use: preparation of culture on substance in microbiology.

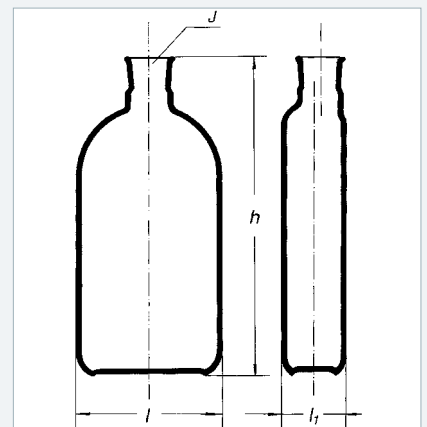
KULTURFLASCHE NACH ROUX

Hals exzentrisch, für Schliff vorbereitet
Flache Flaschen mit einer großen Fläche für Nährboden. Hals für Normschliff.
Typische Verwendung: Vorbereitung der Kulturen am Nährboden in der Mikrobiologie.

Cat. No. 70 A/T

Catalog No. Katalog-Nr.	Capacity (ml) Kapazität	l (mm)	l1 (mm)	h (mm)	J	Packing (pcs) Packung (Stück)
1632411508300	250	80	35	180	19/17	16
1632411508500	450	95	42	195	24/20	8
1632411508942	1000	120	55	255	24/20	6

PN
70 6812



CULTURE FLASKS, RECTANGULAR, BLACK, FORMED FOR STANDARD JOINT

Square bottle with NZ.
Typical use: preparation of culture on substance in microbiology.

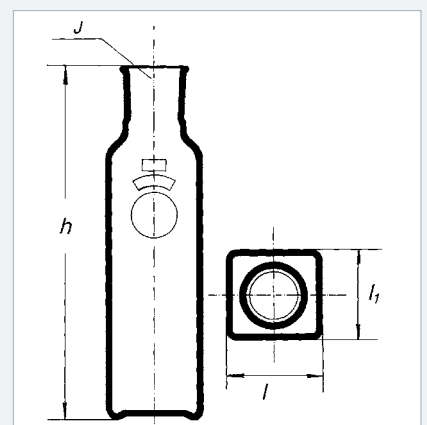
KULTURFLASCHE NACH BLACK

Flasche eckig mit NS.
Typische Verwendung: Vorbereitung von Kulturen im Nährboden in der Mikrobiologie.

Cat. No. 3120

Catalog No. Katalog-Nr.	Capacity (ml) Kapazität	l (mm)	l1 (mm)	h (mm)	j (mm)	Packing (pcs) Packung (Stück)
1632411510151	150	45	45	155	24/20	12
1632411510200	200	45	45	175	24/20	12

PN
70 6812





VOLUMETRIC GLASSWARE

VOLUMENMESS- GERÄTE



VOLUMETRIC GLASSWARE

The volumetric glassware is produced with increased accuracy - because this is the only way to achieve stable quality and guaranteed accuracy.

It is delivered / rot in two accuracy classes: the Class A (highest) and the Class B (common). The graduated vessels have the IN-calibration (filling-up), and the pipettes and burettes have the EX-calibration (emptying). For the accurate work it is necessary to observe the working temperature, because the thermal expansion influences the accuracy much more than the guaranteed tolerance for accuracy of reading and calibration. In order to preserve the accuracy of volumetric glassware, this one must not be heated-up more than +180°C. In order to avoid breakage, the heating and cooling must be performed slowly.

VOLUMENMESSGERÄTE

Die Volumenmessgeräte werden mit erhöhter Sorgfalt hergestellt, weil nur so eine stabile Qualität und garantierte Genauigkeit erreicht werden können.

Das Glas wird in zwei Genauigkeitsklassen geliefert: in der A-Klasse (Höchstklasse) und in der B-Klasse (üblich). Meßkolben und Meßzylinder sind auf Einguss (IN), die Pipetten und Büretten auf Ausguss (EX) justiert. Für eine genaue Arbeit ist es erforderlich, die Arbeitstemperatur einzuhalten, weil die Wärmedehnung die Genauigkeit weitaus mehr beeinflusst, als die garantierte Toleranz der Genauigkeit des Ablesens und der Kalibrierung ist. Damit die Genauigkeit des Meßglases eingehalten wird, darf es nicht über +180°C erhitzt werden. Ebenfalls müssen die Erwärmung und Kühlung langsam erfolgen, damit es zu keinem Glasbruch kommt.

FLASK VOLUMETRIC

with rim, without stopper, class A

IN-calibration (fill-in) at the reference temperature +20°C

Class A of accuracy.

Typical use: exact measuring of the liquid capacity, preparation and storage of standard solutions.

MESSKOLBEN

Rand aufgetrieben, ohne Stopfen, Klasse A

Justierung auf Einguss (IN) bei Bezugstemperatur von +20°C.

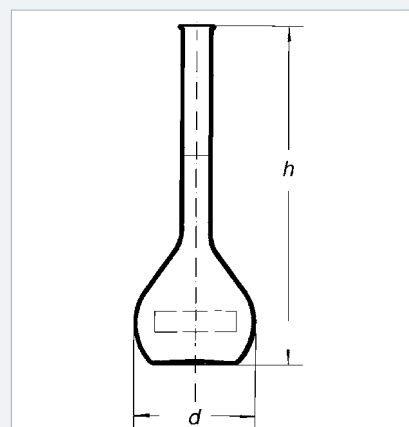
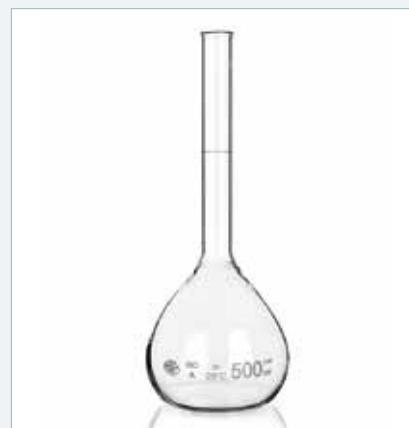
Genauigkeitsklasse: A

Typische Verwendung: genaues Messen des Flüssigkeitsvolumens, Vorbereitung und Aufbewahrung von Standardlösungen.

Cat. No. 1502 A

Catalog No. Katalog-Nr.	Capacity (ml) Kapazität	Accuracy limits ±ml Genauigkeitsgrenze	d (mm)	h (mm)	Packing (pcs) Packung (Stück)
1632431011018	5	0.025	22	70	10
1632431011019	10	0.025	27	90	10
1632431011023	25	0.040	40	110	10
1632431011025	50	0.060	50	140	10
1632431011030	100	0.100	60	170	10
1632431011037	200	0.150	75	210	10
1632431011038	250	0.150	80	220	10
1632431011043	500	0.250	100	260	10
1632431011044	1000	0.400	125	300	10
1632431011046	2000	0.600	160	370	6

ISO
1042



FLASK VOLUMETRIC

with rim, without stopper, class B

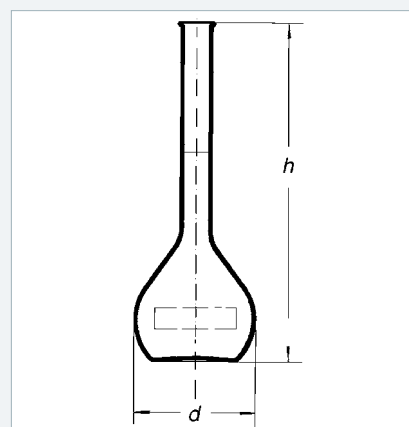
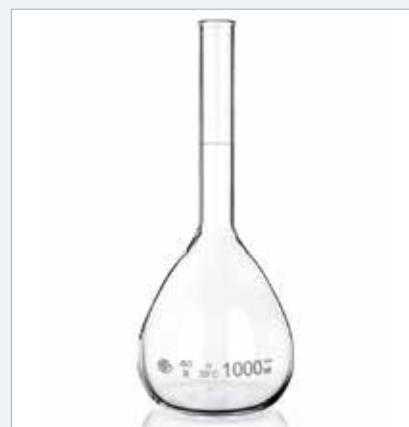
MESSKOLBEN,

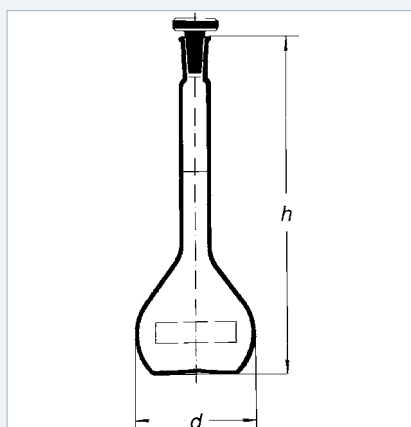
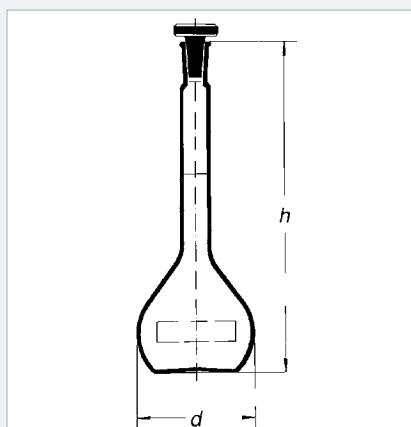
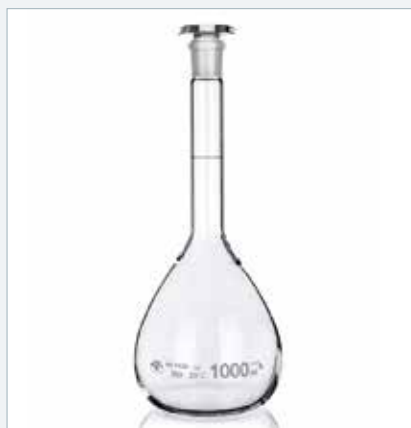
Rand aufgetrieben, ohne Stopfen, Klasse B

Cat. No. 1502 B

Catalog No. Katalog-Nr.	Capacity (ml) Kapazität	Accuracy limits ±ml Genauigkeitsgrenze	d (mm)	h (mm)	Packing (pcs) Packung (Stück)
1632431031018	5	0.05	22	70	10
1632431031019	10	0.05	27	90	10
1632431031023	25	0.08	40	110	10
1632431031025	50	0.12	50	140	10
1632431031030	100	0.20	60	170	10
1632431031037	200	0.30	75	210	10
1632431031038	250	0.30	80	220	10
1632431031043	500	0.50	100	260	10
1632431031044	1000	0.80	125	300	10
1632431031046	2000	1.20	160	370	6

ISO
1042





FLASK VOLUMETRIC

with SJ and glass stopper, class A

MESSKOLBEN

mit NS – Glasstopfen, Klasse A

Cat. No. 1503 AS

Catalog No. Katalog-Nr.	Capacity (ml) Kapazität	Accuracy limits \pm ml Genauigkeitsgrenze	d (mm)	h (mm)	SJ NS	Packing (pcs) Packung (Stück)
1632431071018	5	0.025	22	70	7/16	10
1632431071019	10	0.025	27	90	7/16	10
1632431071023	25	0.040	40	110	10/19	10
1632431071025	50	0.060	50	140	12/21	10
1632431071030	100	0.100	60	170	12/21	10
1632431071037	200	0.150	75	210	14/23	10
1632431071038	250	0.150	80	220	14/23	10
1632431071043	500	0.250	100	260	19/26	10
1632431071044	1000	0.400	125	300	24/29	10
1632431071046	2000	0.600	160	370	29/32	6

ISO
1042

FLASK VOLUMETRIC

with SJ – brown and brown glass
stopper

MESSKOLBEN

braun mit NS, mit braunem Glasstopfen

Cat. No. 1503 AS/H

Catalog No. Katalog-Nr.	Capacity (ml) Kapazität	Accuracy limits \pm ml Genauigkeitsgrenze	d (mm)	h (mm)	SJ NS	Packing (pcs) Packung (Stück)
1632431371018	5	0.025	22	70	7/16	10
1632431371019	10	0.025	27	90	7/16	10
1632431371023	25	0.040	40	110	10/19	10
1632431371025	50	0.060	50	140	12/21	10
1632431371030	100	0.100	60	170	12/21	10
1632431371037	200	0.150	75	210	14/23	10
1632431371038	250	0.150	80	220	14/23	10
1632431371043	500	0.250	100	260	19/26	10
1632431371044	1000	0.400	125	300	24/29	10
1632431371046	2000	0.600	160	370	29/32	6

ISO
1042

FLASK VOLUMETRIC

with SJ and glass stopper, conformity certificate

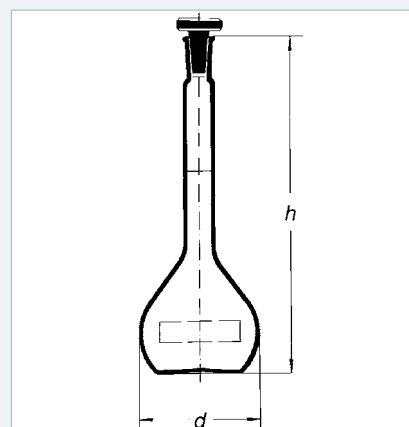
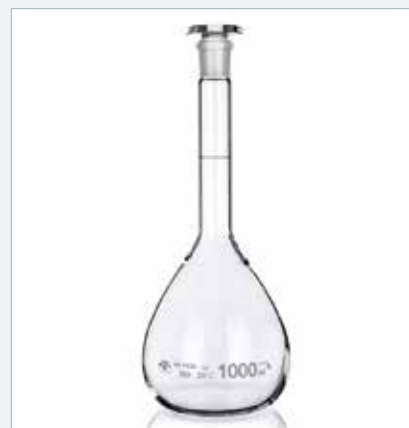
MESSKOLBEN

mit NS und Glasstopfen, Konformität - Zertifikat

Cat. No. 1503 ASC

Catalog No. Katalog-Nr.	Capacity (ml) Kapazität	Accuracy limits \pm ml Genauigkeitsgrenze	d (mm)	h (mm)	SJ NS	Packing (pcs) Packung (Stück)
1632431635018	5	0.025	22	70	7/16	10
1632431635019	10	0.025	27	90	7/16	10
1632431635023	25	0.040	40	110	10/19	10
1632431635025	50	0.060	50	140	12/21	10
1632431635030	100	0.100	60	170	12/21	10
1632431635037	200	0.150	75	210	14/23	10
1632431635038	250	0.150	80	220	14/23	10
1632431635043	500	0.250	100	260	19/26	10
1632431635044	1000	0.400	125	300	24/29	10
1632431635046	2000	0.600	160	370	29/32	6

ISO
1042



FLASK VOLUMETRIC

with SJ and plastic stopper, class A

IN-calibration (fill-in) at the reference temperature +20°C.

Class A of accuracy.

Typical use: exact measuring of the liquid capacity, preparation and storage of standard solutions.

MESSKOLBEN

mit NS und Kunststoffstopfen, Klasse A

Justierung auf Einguss (IN) bei Bezugstemperatur von +20°C.

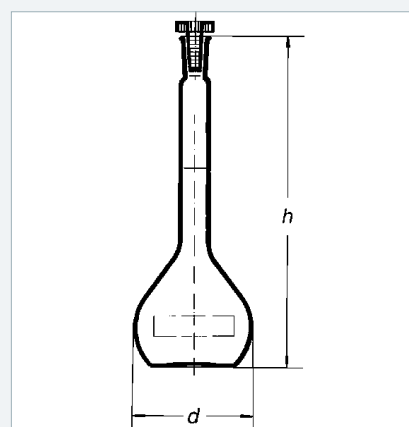
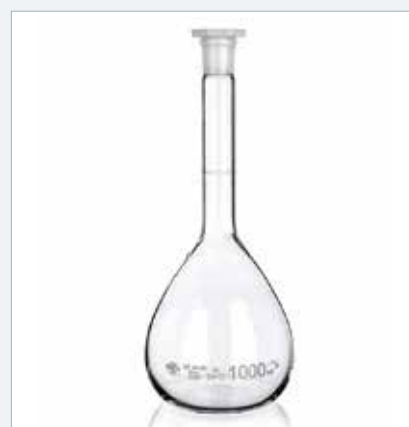
Genauigkeitsklasse A.

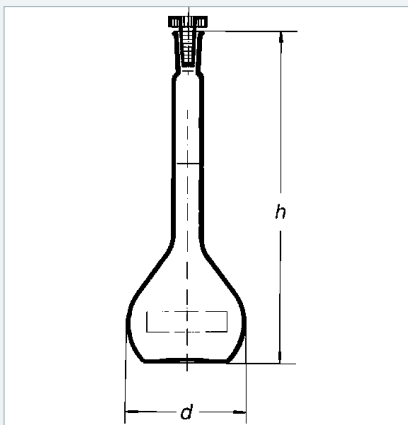
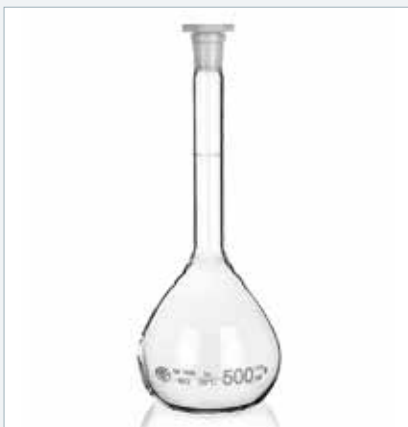
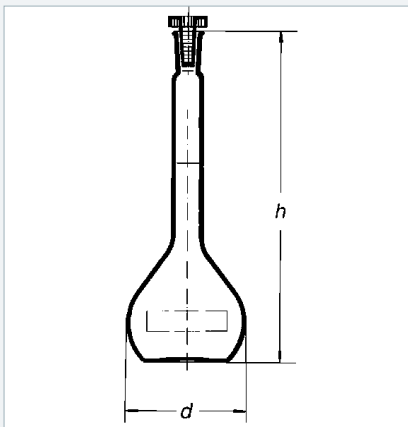
Typische Verwendung: genaues Messen des Flüssigkeitsvolumens, Vorbereitung und Aufbewahrung von Standardlösungen.

Cat. No. 1503 APN

Catalog No. Katalog-Nr.	Capacity (ml) Kapazität	Accuracy limits \pm ml Genauigkeitsgrenze	d (mm)	h (mm)	SJ NS	Packing (pcs) Packung (Stück)
1632431622018	5	0.025	22	70	7/16	10
1632431622019	10	0.025	27	90	7/16	10
1632431622023	25	0.040	40	110	10/19	10
1632431622025	50	0.060	50	140	12/21	10
1632431622030	100	0.100	60	170	12/21	10
1632431622037	200	0.150	75	210	14/23	10
1632431622038	250	0.150	80	220	14/23	10
1632431622043	500	0.250	100	260	19/26	10
1632431622044	1000	0.400	125	300	24/29	10
1632431622046	2000	0.600	160	370	29/32	6

ISO
1042





FLASK VOLUMETRIC, BROWN

with SJ and plastic stopper, class A

IN-calibration (fill-in) at the reference temperature +20°C.

Class A of accuracy.

Typical use: exact measuring of the liquid capacity, preparation and storage of standard solutions.

MESSKOLBEN

braun, mit NS und Kunststoffstopfen, Klasse A

Justierung auf Einguss (IN) bei Bezugstemperatur von +20°C.

Genauigkeitsklasse A.

Typische Verwendung: genaues Messen des Flüssigkeitsvolumens, Vorbereitung und Aufbewahrung von Standardlösungen.

Cat. No. 1503 APN/H

Catalog No. Katalog-Nr.	Capacity (ml) Kapazität	Accuracy limits ±ml Genauigkeitsgrenze	d (mm)	h (mm)	SJ NS	Packing (pcs) Packung (Stück)
1632431332018	5	0.025	22	70	7/16	10
1632431332019	10	0.025	27	90	7/16	10
1632431332023	25	0.040	40	110	10/19	10
1632431332025	50	0.060	50	140	12/21	10
1632431332030	100	0.100	60	170	12/21	10
1632431332037	200	0.150	75	210	14/23	10
1632431332038	250	0.150	80	220	14/23	10
1632431332043	500	0.250	100	260	19/26	10
1632431332044	1000	0.400	125	300	24/29	10
1632431332046	2000	0.600	160	370	29/32	6

FLASK VOLUMETRIC

with SJ and plastic stopper, conformity certificate

MESSKOLBEN

mit NS und Kunststoffstopfen, Konformität - Zertifikat

Cat. No. 1503 APNC

Catalog No. Katalog-Nr.	Capacity (ml) Kapazität	Accuracy limits ±ml Genauigkeitsgrenze	d (mm)	h (mm)	SJ NS	Packing (pcs) Packung (Stück)
1632431634018	5	0.025	22	70	7/16	10
1632431634019	10	0.025	27	90	7/16	10
1632431634023	25	0.040	40	110	10/19	10
1632431634025	50	0.060	50	140	12/21	10
1632431634030	100	0.100	60	170	12/21	10
1632431634037	200	0.150	75	210	14/23	10
1632431634038	250	0.150	80	220	14/23	10
1632431634043	500	0.250	100	260	19/26	10
1632431634044	1000	0.400	125	300	24/29	10
1632431634046	2000	0.600	160	370	29/32	6

ISO
1042

FLASK VOLUMETRIC

with SJ and glass stopper, class B

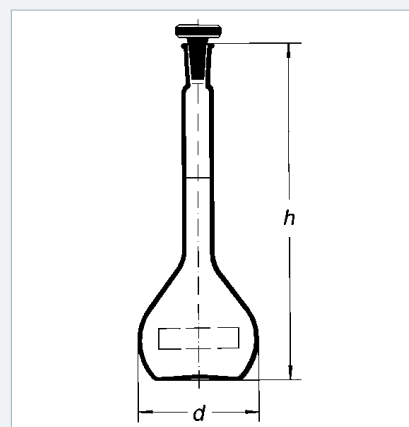
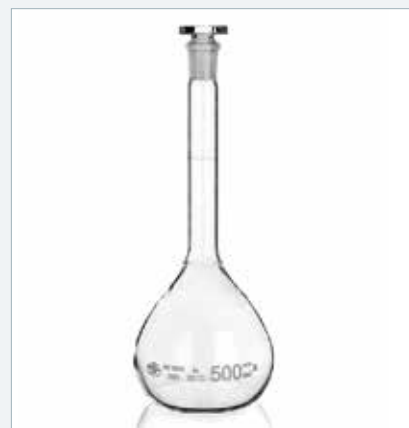
MESSKOLBEN

mit NS und Glasstopfen, Klasse B

Cat. No. 1503 BS

Catalog No. Katalog-Nr.	Capacity (ml) Kapazität	Accuracy limits \pm ml Genauigkeitsgrenze	d (mm)	h (mm)	SJ NS	Packing (pcs) Packung (Stück)
1632431091018	5	0.050	22	70	7/16	10
1632431091019	10	0.050	27	90	7/16	10
1632431091023	25	0.080	40	110	10/19	10
1632431091025	50	0.120	50	140	12/21	10
1632431091030	100	0.200	60	170	12/21	10
1632431091037	200	0.300	75	210	14/23	10
1632431091038	250	0.300	80	220	14/23	10
1632431091043	500	0.500	100	260	19/26	10
1632431091044	1000	0.800	125	300	24/29	10
1632431091046	2000	1.200	160	370	29/32	6

ISO
1042



FLASK VOLUMETRIC

with SJ and plastic stopper, class B

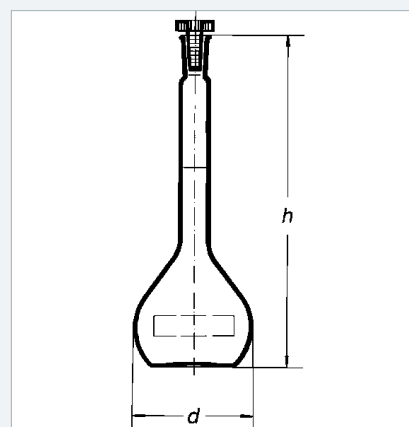
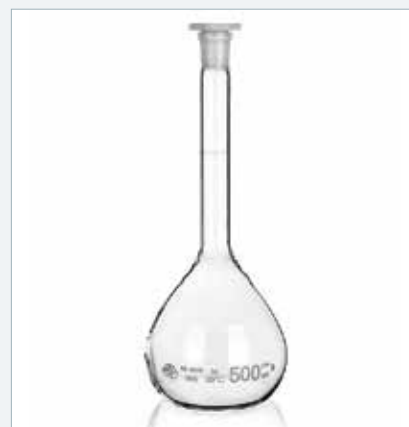
MESSKOLBEN

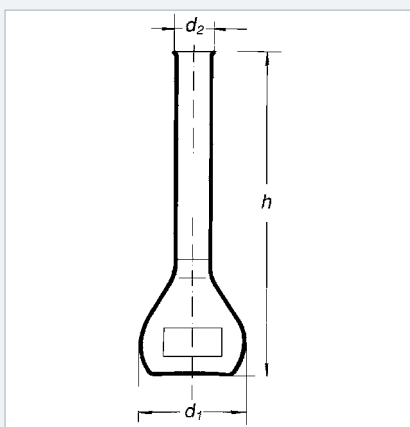
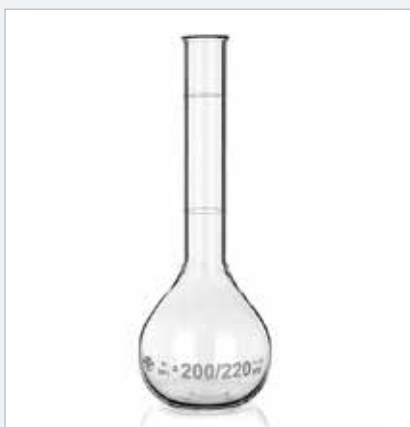
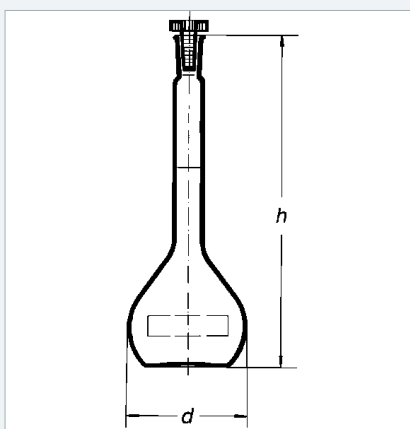
mit NS und Kunststoffstopfen, Klasse B

Cat. No. 1503 BPN

Catalog No. Katalog-Nr.	Capacity (ml) Kapazität	Accuracy limits \pm ml Genauigkeitsgrenze	d (mm)	h (mm)	SJ NS	Packing (pcs) Packung (Stück)
1632431642018	5	0.050	22	70	7/16	10
1632431642019	10	0.050	27	90	7/16	10
1632431642023	25	0.080	40	110	10/19	10
1632431642025	50	0.120	50	140	12/21	10
1632431642030	100	0.200	60	170	12/21	10
1632431642037	200	0.300	75	210	14/23	10
1632431642038	250	0.300	80	220	14/23	10
1632431642043	500	0.500	100	260	19/26	10
1632431642044	1000	0.800	125	300	24/29	10
1632431642046	2000	1.200	160	370	29/32	6
1632431642048	5000	2.400	217	470	34/35	2

ISO
1042





FLASK VOLUMETRIC, BROWN

with SJ and plastic stopper NT, class B

MESSKOLBEN BRAUN

mit NS und Kunststoffstopfen, Klasse B

Cat. No. 1503 BPN/H

Catalog No. Katalog-Nr.	Capacity (ml) Kapazität	Accuracy limits \pm ml Genauigkeitsgrenze	d (mm)	h (mm)	SJ NS	Packing (pcs) Packung (Stück)
1632431342018	5	0.050	22	70	7/16	10
1632431342019	10	0.050	27	90	7/16	10
1632431342023	25	0.080	40	110	10/19	10
1632431342025	50	0.120	50	140	12/21	10
1632431342030	100	0.200	60	170	12/21	10
1632431342037	200	0.300	75	210	14/23	10
1632431342038	250	0.300	80	220	14/23	10
1632431342043	500	0.500	100	260	19/26	10
1632431342044	1000	0.800	125	300	24/29	10
1632431342046	2000	1.200	160	370	29/32	6

FLASK VOLUMETRIC, SUGAR ANALYSIS

two marks

MESSKOLBEN FÜR ZUCKERINDUSTRIE

mit zwei Marken

Cat. No. 1509

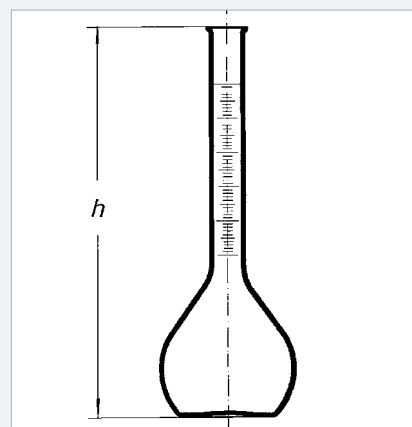
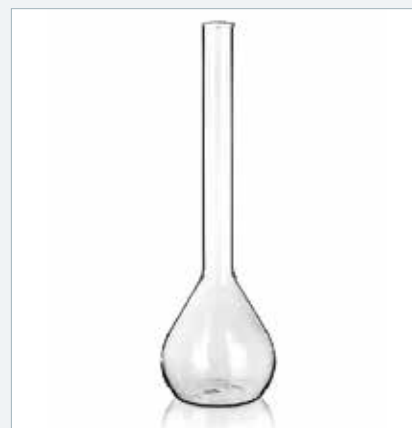
Catalog No. Katalog-Nr.	Capacity (ml) Kapazität	d1 (mm)	d2 (mm)	h (mm)	Packing (pcs) Packung (Stück)
1632431510025	50/55	47.000	18	155	10
1632431510030	100/110	58.000	22	180	10
1632431510037	200/220	73.000	24	200	10

FLASK WITH DIVIDED
NECK

KOLBEN MIT TEILUNG
IM HALS

Cat. No. 1520			
Catalog No. Katalog-Nr.	Capacity (ml) Kapazität	h (mm)	Packing (pcs) Packung (Stück)
1632431560725	50 + 5	155	10
1632431560830	100 + 10	205	10
1632431560837	200 + 20	245	10
1632431560938	250 + 25	280	10
1632431561143	500 + 50	320	8
1632431561144	1000 + 100	400	6
1632431561145	1000 + 10	300	7

ISO
3507

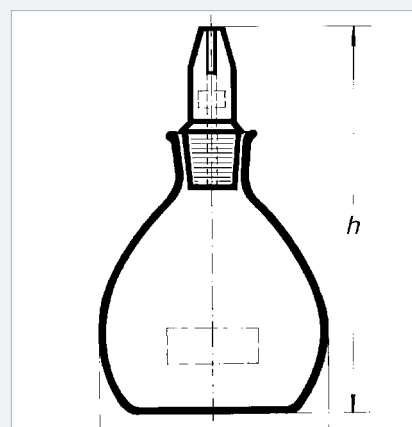


BOTTLE, SPECIFIC
GRAVITY, GAY-LUSSAC

PYKNOMETER NACH
GAY-LUSSAC

Cat. No. 1621						
Catalog No. Katalog-Nr.	Capacity (ml) Kapazität	Accuracy limits \pm ml Genaukeitsgrenze	d (mm)	h (mm)	SJ NS	Packing (pcs) Packung (Stück)
1632431722019	10	1.000	27	55	7/11	10
1632431722023	25	2.000	40	75	10/13	10
1632431722025	50	3.000	50	85	10/13	10
1632431722030	100	5.000	57	100	10/13	10

ISO
3507





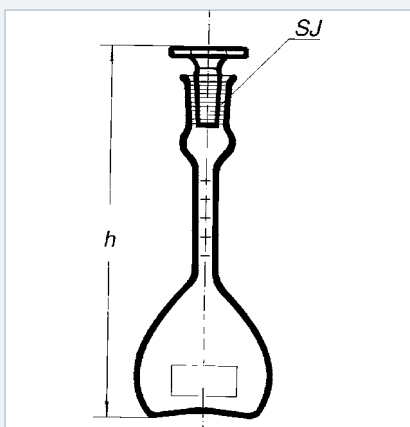
BOTTLE, SPECIFIC GRAVITY, REISCHAUER

PYKNOMETER NACH REISCHAUER

mit Teilung

Cat. No. 1622				
Catalog No. Katalog-Nr.	Capacity (ml) Kapazität	h (mm)	SJ NS	Packing (pcs) Packung (Stück)
1632431831023	25	105	10/13	10
1632431831025	50	115	10/13	10

ISO
3507



BOTTLES, SPECIFIC GRAVITY, HIGH-ROAD

STRASSEN-PYKNOMETER

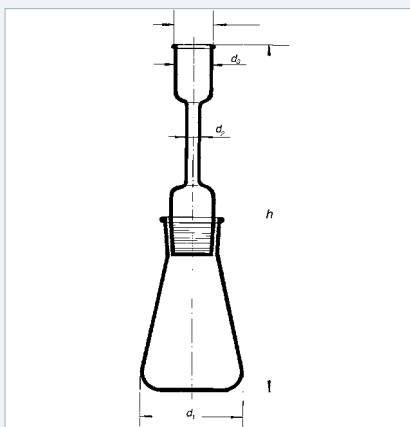
with adapter and funnel

mit Aufsatz und Trichter



Cat. No. 1627							
Catalog No. Katalog-Nr.	Capacity (ml) Kapazität	d1 (mm)	d2 (mm)	d3 (mm)	h (mm)	SJ NS	Packing (pcs) Packung (Stück)
1632431901720	500	105	10	40	355	45/40	8
1632431901740	1000	131	10	40	390	45/40	6

ISO
4788



CYLINDER GRADUATED

with hexagonal base and spout, high form, blue / blau graduation, class A.

The big hexagonal base provides for stability. The uniform thickness of the wall eliminates the wedge-error of the reading. IN-calibration (fill-in) at the reference temperature +20°C. Class A of accuracy.

Typical use: storage and measuring various capacities of the liquids

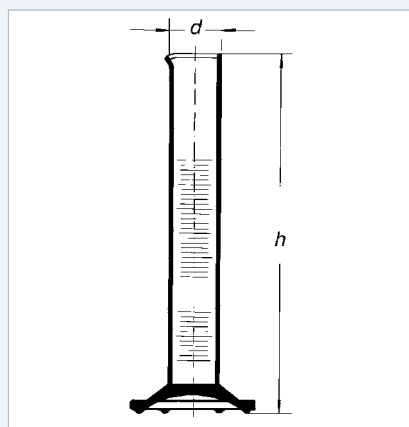
MESSZYLINDER HOHE FORM

mit Sechskantfuß und Ausguß, Ringteilung, blau graduert, Klasse A

Die Lagenstabilität des Zylinders wird durch einen großen Sechskantfuß gewährleistet. Eine gleichmäßige Wanddicke des Zylinders schließt Keilfehler beim Ablesen aus. Justierung auf Einguss (IN) bei Bezugstemperatur von +20°C.

Genauigkeitsklasse A.

Typische Verwendung: Vorrat und gleichzeitig Messen verschiedener Flüssigkeitsvolumina.

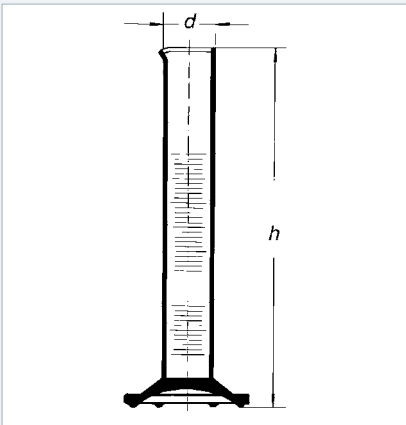


Cat. No. 1634 AM

Catalog No. Katalog-Nr.	Capacity (ml) Kapazität	Accuracy limits ±ml Genauigkeitsgrenze ±ml	Graduation division (ml) Teilung (ml)	d (mm)	h (mm)	Packing (pcs) Packung (Stück)
1632432110718	5	0.05	0.1	12.9	115	10
1632432110819	10	0.10	0.2	15.5	135	10
1632432110923	25	0.25	0.5	21.3	160	10
1632432111125	50	0.50	1.0	26.0	195	10
1632432111130	100	0.50	1.0	31.3	240	1
1632432111238	250	1.00	2.0	40.7	320	1
1632432111343	500	2.50	5.0	53.2	380	1
1632432111444	1000	5.00	10.0	67.0	465	1
1632432111546	2000	10.00	20.0	85.0	535	1

ISO
4788

NOTES / AUFZEICHNUNGEN



CYLINDER GRADUATED

with hexagonal base and spout, high form, white / weiß graduation, class B.

The big hexagonal base provides for stability. The uniform thickness of the wall eliminates the wedge-error of the reading. IN-calibration (fill-in) at the reference temperature +20°C. Class B of accuracy.

Typical use: storage and measuring various capacities of the liquids.

MESSZYLINDER HOHE FORM

mit Sechskantfuß und Ausguß, weiß
graduirt, Klasse B

Die Lagenstabilität des Zylinders wird durch einen großen Sechskantfuß gewährleistet. Eine gleichmäßige Wanddicke des Zylinders schließt Keilfehler beim Ablesen aus. Justierung auf Einguss (IN) bei Bezugstemperatur von +20°C.

Genauigkeitsklasse B.

Typische Verwendung: Vorrat und gleichzeitig Messen verschiedener Flüssigkeitsvolumina.

Cat. No. 1634 BB

Catalog No. Katalog-Nr.	Capacity (ml) Kapazität	Accuracy limits ±ml Genauigkeitsgrenze ±ml	Graduation division (ml) Teilung (ml)	d (mm)	h (mm)	Packing (pcs) Packung (Stück)
1632432140718	5	0.10	0.1	12.9	115	10
1632432140819	10	0.20	0.2	15.5	140	10
1632432140923	25	0.50	0.5	21.3	165	10
1632432141125	50	1.00	1.0	26.0	195	10
1632432141130	100	1.00	1.0	31.3	250	1
1632432141238	250	2.00	2.0	40.7	330	1
1632432141343	500	5.00	5.0	53.2	385	1
1632432141444	1000	10.00	10.0	67.0	465	1
1632432141546	2000	20.00	20.0	85.0	535	1

ISO
4788

NOTES / AUFZEICHNUNGEN

CYLINDER GRADUATED

with hexagonal base and spout, high form, brown graduation, class B

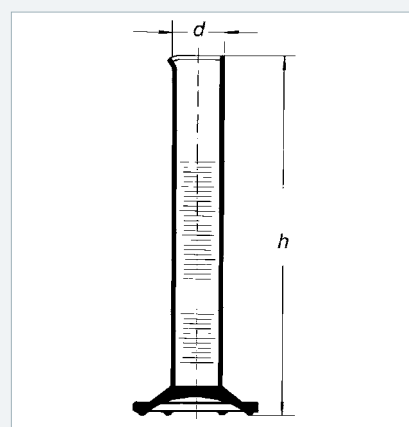
MESSZYLINDER HOHE FORM

mit Sechskantfuß und Ausguß, braun graduert, Klasse B

Cat. No. 1634 BH

Catalog No. Katalog-Nr.	Capacity (ml) Kapazität	Accuracy limits \pm ml Genauigkeitsgrenze \pm ml	Graduation division (ml) Teilung (ml)	d (mm)	h (mm)	Packing (pcs) Packung (Stück)
1632432150718	5	0.10	0.1	12.9	115	10
1632432150819	10	0.20	0.2	15.5	135	10
1632432150923	25	0.50	0.5	21.3	160	10
1632432151125	50	1.00	1.0	26.0	195	10
1632432151130	100	1.00	1.0	31.3	240	1
1632432151238	250	2.00	2.0	40.7	320	1
1632432151343	500	5.00	5.0	53.2	380	1
1632432151444	1000	10.00	10.0	67.0	465	1
1632432151546	2000	20.00	20.0	85.0	535	1

ISO
4788



CYLINDER GRADUATED

high form, brown graduation

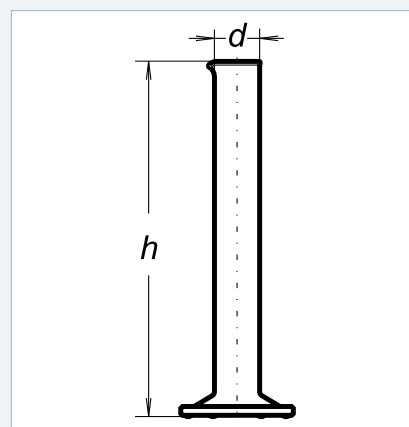
MESSZYLINDER HOHE FORM

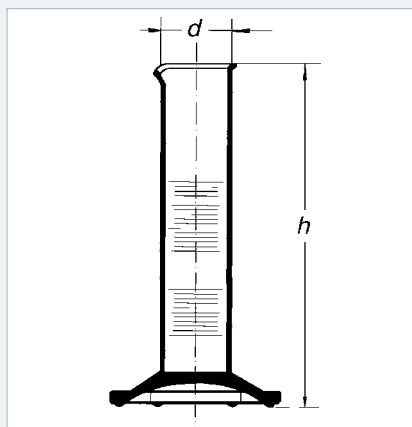
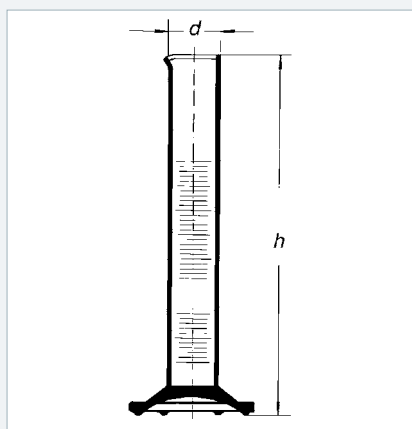
braun graduert

Cat. No. 1634 BCH

Catalog No. Katalog-Nr.	Capacity (ml) Kapazität	Accuracy limits \pm ml Genauigkeitsgrenze \pm ml	Graduation division (ml) Teilung (ml)	d (mm)	h (mm)	Packing (pcs) Packung (Stück)
1632432160718	5	0.10	0.1	12.9	115	10
1632432160819	10	0.20	0.2	15.5	135	10
1632432160923	25	0.50	0.5	21.3	160	10
1632432161125	50	1.00	1.0	26.0	195	10
1632432161130	100	1.00	1.0	31.3	240	1
1632432161238	250	2.00	2.0	40.7	320	1
1632432161343	500	5.00	5.0	53.2	380	1
1632432161444	1000	10.00	10.0	67.0	465	1
1632432161546	2000	20.00	20.0	85.0	535	1

ISO
4788





CYLINDER

without graduation

MESSZYLINDER

ohne Graduierung

Cat. No. 1634

Catalog No. Katalog-Nr.	Capacity (ml) Kapazität	d/mm	h/mm	Packing (pcs) Packung (Stück)
1632432130018	5	12.9	115	10
1632432130019	10	15.5	135	10
1632432130023	25	21.3	160	10
1632432130025	50	26.0	195	10
1632432130030	100	31.3	240	10
1632432130038	250	40.7	320	10
1632432130043	500	53.2	380	10
1632432130044	1000	67.0	465	5
1632432130046	2000	85.0	535	4

ISO
4788

CYLINDER GRADUATED

with hexagonal base and spout, low form, white / weiß graduation, class B

MESSZYLINDER NIEDRIGE FORM

mit Sechskantfuß und Ausguß, weiß graduiert, Klasse B

Cat. No. 1645 BB

Catalog No. Katalog-Nr.	Capacity (ml) Kapazität	Accuracy limits \pm ml Genauigkeitsgrenze \pm ml	Graduation division (ml) Teilung (ml)	d (mm)	h (mm)	Packing (pcs) Packung (Stück)
1632432340818	5	0.20	0.2	15.5	90	10
1632432340919	10	0.50	0.5	21.3	100	10
1632432341123	25	1.00	1.0	25.0	125	10
1632432341125	50	1.00	1.0	29.9	150	10
1632432341230	100	2.00	2.0	40.7	170	10
1632432341338	250	5.00	5.0	53.2	235	10
1632432341443	500	10.00	10.0	67.0	280	8
1632432341544	1000	20.00	20.0	85.0	292	5
1632432341746	2000	50.00	50.0	105.0	420	6

CYLINDER GRADUATED

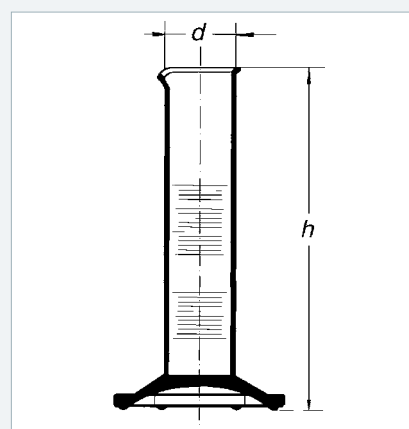
with hexagonal base and spout, low form, brown graduation, class B

MESSZYLINDER NIEDRIGE FORM

mit Sechskantfuß und Ausguß, braun graduert, Klasse B

Cat. No. 1645 BH

Catalog No. Katalog-Nr.	Capacity (ml) Kapazität	Accuracy limits \pm ml Genauigkeitsgrenze \pm ml	Graduation division (ml) Teilung (ml)	d (mm)	h (mm)	Packing (pcs) Packung (Stück)
1632432350818	5	0.20	0.2	15.5	90	10
1632432350919	10	0.50	0.5	21.3	100	10
1632432351123	25	1.00	1.0	25.0	125	10
1632432351125	50	1.00	1.0	29.9	150	10
1632432351230	100	2.00	2.0	40.7	170	10
1632432351338	250	5.00	5.0	53.2	235	10
1632432351443	500	10.00	10.0	67.0	280	8
1632432351544	1000	20.00	20.0	85.0	292	5
1632432351746	2000*	50.00	50.0	105.0	420	6



CYLINDER GRADUATED

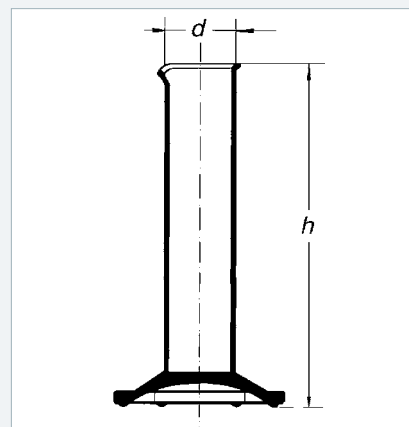
with hexagonal base and spout, without graduation

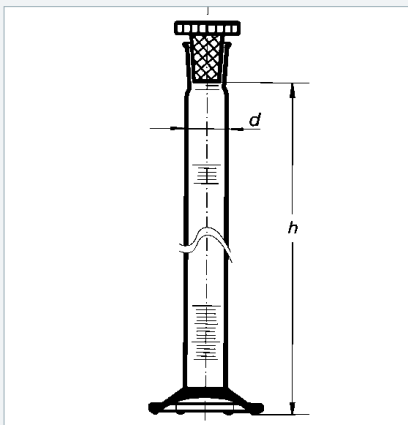
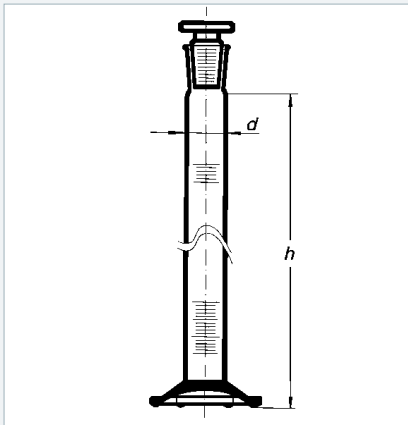
MESSZYLINDER NIEDRIGE FORM

mit Sechskantfuß und Ausguß, ohne Graduierung

Cat. No. 1645

Catalog No. Katalog-Nr.	Capacity (ml) Kapazität	d (mm)	h (mm)	Packing (pcs) Packung (Stück)
1632432330019	10	21.3	100	10
1632432330023	25	25.0	125	10
1632432330025	50	29.9	150	10
1632432330030	100	40.7	170	10
1632432330038	250	53.2	235	10
1632432330043	500	67.0	280	8
1632432330044	1000	85.0	292	5





CYLINDER GRADUATED

with SJ and glass stopper, all-round scale, blue /blau graduation, class A

MISCHZYLINDER

mit NS – Glasstopfen, Ringteilung, blau graduiert, Klasse A

Cat. No. 1652 AMS

Catalog No. Katalog-Nr.	Capacity (ml) Kapazität	Accuracy limits \pm ml Genauigkeitsgrenze \pm ml	Graduation division (ml) Teilung (ml)	d (mm)	h (mm)	SJ NS	Packing (pcs) Packung (Stück)
1632432210718	5	0.05	0.1	12.9	115	10/19	10
1632432210819	10	0.10	0.2	15.5	135	10/19	10
1632432210923	25	0.25	0.5	21.3	160	14/23	10
1632432211125	50	0.50	1.0	26.0	195	19/26	10
1632432211130	100	0.50	1.0	31.3	240	24/29	10
1632432211238	250	1.00	2.0	40.7	320	29/32	10
1632432211343	500	2.50	5.0	53.2	380	34/35	10
1632432211444	1000	5.00	10.0	67.0	465	45/40	4
1632432211546	2000	10.00	20.0	85.0	535	45/40	3

CYLINDER GRADUATED

with SJ and plastic stopper, blue /blau graduation, class A

The big hexagonal base provides for stability. The uniform thickness of the wall eliminates the wedge-error of the reading. IN-calibration (fill-in) at the reference temperature $+20^{\circ}\text{C}$. Class A of accuracy. Typical use: thinning of solutions, mixing of several component in given ratios.

ISO
4788

MISCHZYLINDER

mit NS – Kunststoffstopfen, blau graduiert, Klasse A

Die Lagenstabilität des Zylinders wird durch einen großen Sechskantfuß gewährleistet. Eine gleichmäßige Wanddicke des Zylinders schließt Keilfehler beim Ablesen aus. Justierung auf Einguss (IN) bei Bezugstemperatur von $+20^{\circ}\text{C}$. Genauigkeitsklasse A.

Typische Verwendung: Verdrünnung von Lösungen, Mischen von einigen Bestandteilen in den bestimmten Anteilen.

Cat. No. 1652 AMPN

Catalog No. Katalog-Nr.	Capacity (ml) Kapazität	Accuracy limits \pm ml Genauigkeitsgrenze \pm ml	Graduation division (ml) Teilung (ml)	d (mm)	h (mm)	SJ NS	Packing (pcs) Packung (Stück)
1632432630018	5	0.05	0.1	12.9	115	10/19	10
1632432630019	10	0.10	0.2	15.5	135	10/19	10
1632432630023	25	0.25	0.5	21.3	160	14/23	10
1632432630025	50	0.50	1.0	26.0	195	19/26	10
1632432630030	100	0.50	1.0	31.3	240	24/29	10
1632432630038	250	1.00	2.0	40.7	320	29/32	10
1632432630043	500	2.50	5.0	53.2	380	34/35	10
1632432630044	1000	5.00	10.0	67.0	465	45/40	4
1632432630046	2000	10.00	20.0	85.0	535	45/40	3

CYLINDER GRADUATED

with SJ and glass stopper, white / weiß graduation, class B

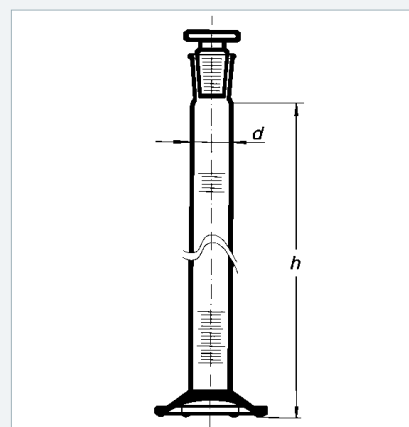
MISCHZYLINDER

hohe Form, mit Sechskantfuß und NS – Glasstopfen, Ringteilung, weiß graduiert, Klasse B

Cat. No. 1652 BBS

Catalog No. Katalog-Nr.	Capacity (ml) Kapazität	Accuracy limits \pm ml Genauigkeitsgrenze \pm ml	Graduation division (ml) Teilung (ml)	d (mm)	h (mm)	SJ NS	Packing (pcs) Packung (Stück)
1632432240718	5	0.10	0.1	12.9	115	10/19	10
1632432240819	10	0.20	0.2	15.5	135	10/19	10
1632432240923	25	0.50	0.5	21.3	160	14/23	10
1632432241125	50	1.00	1.0	26.0	195	19/26	10
1632432241130	100	1.00	1.0	31.3	240	24/29	10
1632432241238	250	2.00	2.0	40.7	320	29/32	10
1632432241343	500	5.00	5.0	53.2	380	34/35	10
1632432241444	1000	10.00	10.0	67.0	465	45/40	4
1632432241546	2000	20.00	20.0	85.0	535	45/40	3

ISO
4788



CYLINDER GRADUATED

with SJ and plastic stopper, white / weiß graduation, class B

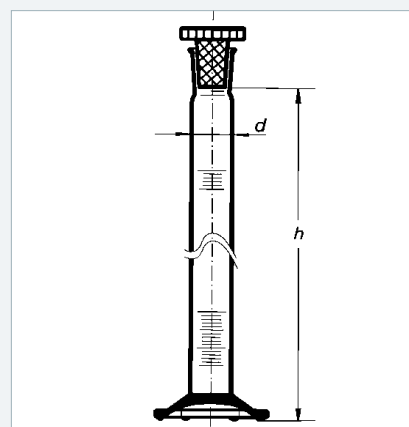
MISCHZYLINDER

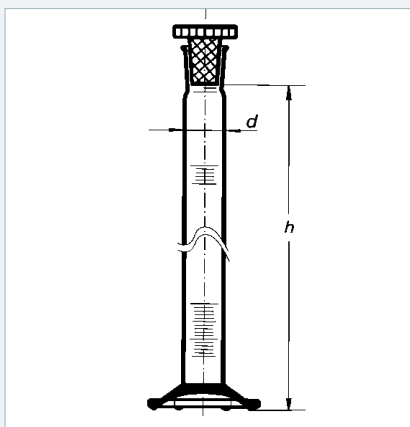
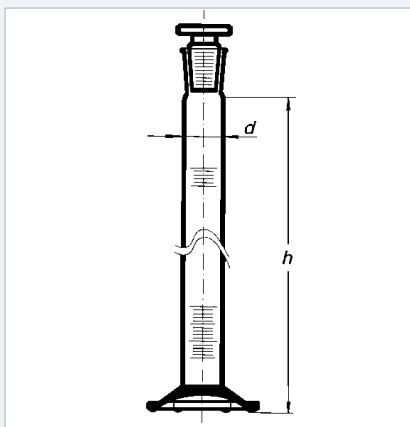
hohe Form, mit Sechskantfuß und NS – Kunststoffstopfen, Ringteilung, weiß graduiert, Klasse B

Cat. No. 1652 BBPN

Catalog No. Katalog-Nr.	Capacity (ml) Kapazität	Accuracy limits \pm ml Genauigkeitsgrenze \pm ml	Graduation division (ml) Teilung (ml)	d (mm)	h (mm)	SJ NS	Packing (pcs) Packung (Stück)
1632432627018	5	0.10	0.1	12.9	115	10/19	10
1632432627019	10	0.20	0.2	15.5	135	10/19	10
1632432627023	25	0.50	0.5	21.3	160	14/23	10
1632432627025	50	1.00	1.0	26.0	195	19/26	10
1632432627030	100	1.00	1.0	31.3	240	24/29	10
1632432627038	250	2.00	2.0	40.7	320	29/32	10
1632432627043	500	5.00	5.0	53.2	380	34/35	10
1632432627044	1000	10.00	10.0	67.0	465	45/40	4
1632432627046	2000	20.00	20.0	85.0	535	45/40	3

ISO
4788





CYLINDER GRADUATED

with SJ and plastic stopper, brown graduation, class B

MISCHZYLINDER

hohe Form, mit Sechskantfuß und NS – Glasstopfen, Ringteilung, braun graduert, Klasse B

Cat. No. 1652 BHS

Catalog No. Katalog-Nr.	Capacity (ml) Kapazität	Accuracy limits \pm ml Genauigkeitsgrenze \pm ml	Graduation division (ml) Teilung (ml)	d (mm)	h (mm)	SJ NS	Packing (pcs) Packung (Stück)
1632432250718	5	0.10	0.1	12.9	115	10/19	10
1632432250819	10	0.20	0.2	15.5	135	10/19	10
1632432250923	25	0.50	0.5	21.3	160	14/23	10
1632432251125	50	1.00	1.0	26.0	195	19/26	10
1632432251130	100	1.00	1.0	31.3	240	24/29	10
1632432251238	250	2.00	2.0	40.7	320	29/32	10
1632432251343	500	5.00	5.0	53.2	380	34/35	10
1632432251444	1000	10.00	10.0	67.0	465	45/40	4
1632432251546	2000	20.00	20.0	85.0	535	45/40	3

ISO
4788

CYLINDER GRADUATED

with SJ and plastic stopper, brown graduation, class B

MISCHZYLINDER

hohe Form, mit Sechskantfuß und NS – Kunststoffstopfen, Ringteilung, braun graduert, Klasse B

Cat. No. 1652 BHPN

Catalog No. Katalog-Nr.	Capacity (ml) Kapazität	Accuracy limits \pm ml Genauigkeitsgrenze \pm ml	Graduation division (ml) Teilung (ml)	d (mm)	h (mm)	SJ NS	Packing (pcs) Packung (Stück)
1632432626018	5	0.10	0.1	12.9	115	10/19	10
1632432626019	10	0.20	0.2	15.5	135	10/19	10
1632432626023	25	0.50	0.5	21.3	160	14/23	10
1632432626025	50	1.00	1.0	26.0	195	19/26	10
1632432626030	100	1.00	1.0	31.3	240	24/29	10
1632432626038	250	2.00	2.0	40.7	320	29/32	10
1632432626043	500	5.00	5.0	53.2	380	34/35	10
1632432626044	1000	10.00	10.0	67.0	465	45/40	4
1632432626046	2000	20.00	20.0	85.0	535	45/40	3

ISO
4788

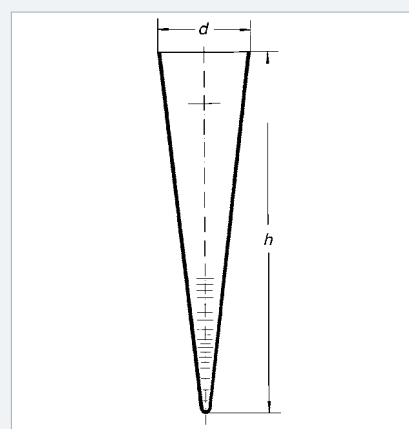
CONE SETTLING

acc. Imhoff, closed tip

SEDIMENTIERGEFÄSSE

nach Imhoff, geschlossene Spitze

Cat. No. 2745					
Catalog No. Katalog-Nr.	Capacity (ml) Kapazität	d (mm)	h (mm)	Subdivision Unterteilung	Packing (pcs) Packung (Stück)
1632432430044	1000	118.00	470.00	czech / tschechisch	10
1632432430144	1000	118.00	470.00	german / deutsch	10
1632432430244	1000	118.00	470.00	swiss / schweizerisch	10



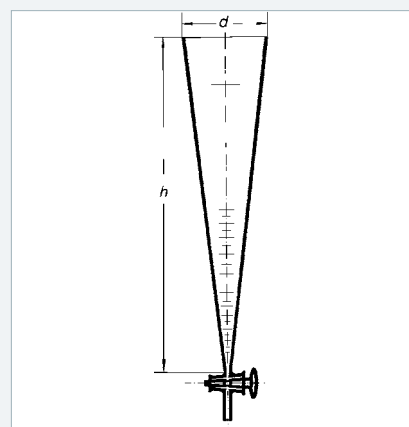
CONE SETTLING

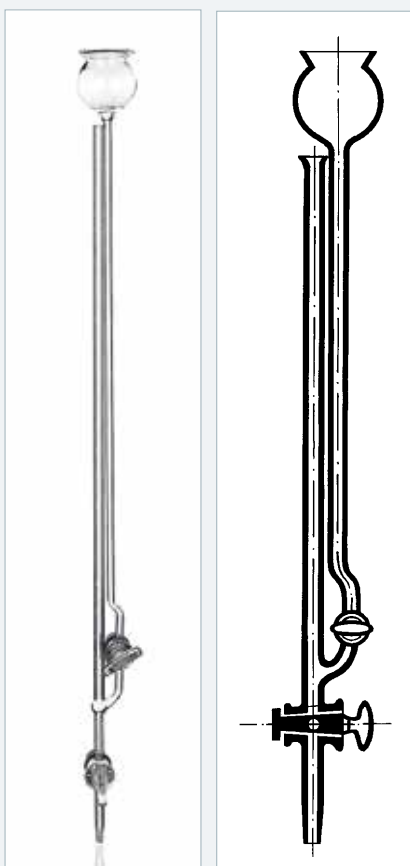
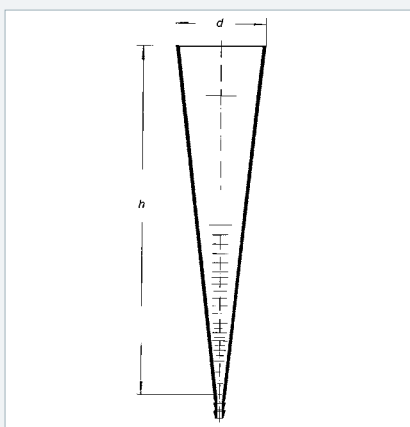
acc. Imhoff, with stopcock

SEDIMENTIERGEFÄSSE

nach Imhoff, mit Hahn

Cat. No. 2746					
Catalog No. Katalog-Nr.	Capacity (ml) Kapazität	d (mm)	h (mm)	Subdivision Unterteilung	Packing (pcs) Packung (Stück)
1632432440044	1000	118.00	470.00	czech / tschechisch	10
1632432440144	1000	118.00	470.00	german / deutsch	10
1632432440244	1000	118.00	470.00	swiss / schweizerisch	10





CONE SETTLING

Imhoff, end with hose connection

SEDIMENTIERGEFÄSSE

nach Imhoff, Spitze mit Olive

Cat. No. 2747					
Catalog No. Katalog-Nr.	Capacity (ml) Kapazität	d (mm)	h (mm)	Subdivision Unterteilung	Packing (pcs) Packung (Stück)
1632432450044	1000	118.00	470.00	czech / tschechisch	10
1632432450144	1000	118.00	470.00	german / deutsch	10

MICROBURETTE

Bang, straight bore stopcock

Microburette with Schellbach's stripe, all-round scale. EX-calibration at the reference temperature +20°C. Typical use: titration.

MIKROBÜRETTE

nach Bang mit geradem Hahn

Mikrobürette mit Schellbach-Streifen und Ringteilung. Justierung auf Ausguß (EX) bei Bezugstemperatur von +20°C. Typische Verwendung: Titration.

Cat. No. 1591			
Catalog No. Katalog-Nr.	Capacity (ml) Kapazität	Subdivision (ml) Unterteilung (ml)	Packing (pcs) Packung (Stück)
1632435530414	1	0.01	10
1632435530416	2	0.01	10
1632435530517	3	0.02	10
1632435530518	5	0.02	10

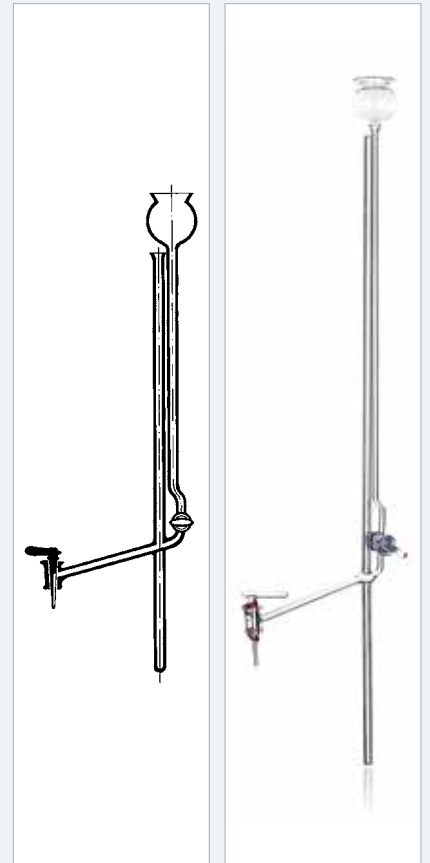
MICROBURETTE

Bang, lateral stopcock

MIKROBÜRETTE

nach Bang mit seitlichem Hahn

Cat. No. 1592			
Catalog No. Katalog-Nr.	Capacity (ml) Kapazität	Subdivision (ml) Unterteilung (ml)	Packing (pcs) Packung (Stück)
1632435540414	1	0.01	5
1632435540416	2	0.01	5
1632435540517	3	0.02	5
1632435540518	5	0.02	5



NOTES / AUFZEICHNUNGEN



TITRATION APPARATUS

Pellet, with lateral stopcock, automatic zero adjustment and reservoir bottle with rubber ball

Titration apparatus with Schellbach's stripe and all-round scale, reservoir bottle (2000 ml) a rubber blower (ball).

Typical use: titration.

AUTOMATISCHE BÜRETTE

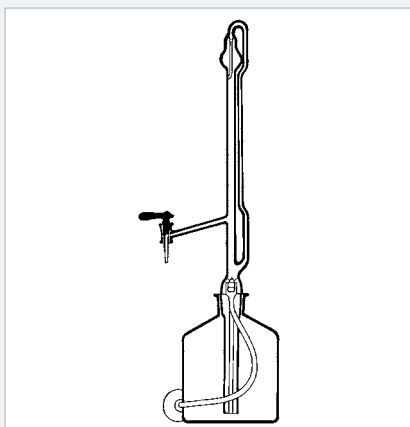
nach Pellet mit Hahn, Gummiballon und Vorratsflasche

Automatische Bürette mit Schellbach-Streifen und Ringteilung, Vorratsflasche (2000 ml) und Gummiballon.

Typische Verwendung: Titration.

Cat. No. 1580 BL

Catalog No. Katalog-Nr.	Capacity (ml) Kapazität	Subdivision (ml) Unterteilung (ml)	Permitted error (ml) zulässiger Fehler (ml)	Packing (pcs) Packung (Stück)
1632436110619	10	0.05	0.05	2
1632436110723	25	0.10	0.10	2
1632436110725	50	0.10	0.10	2



TITRATION APPARATUS

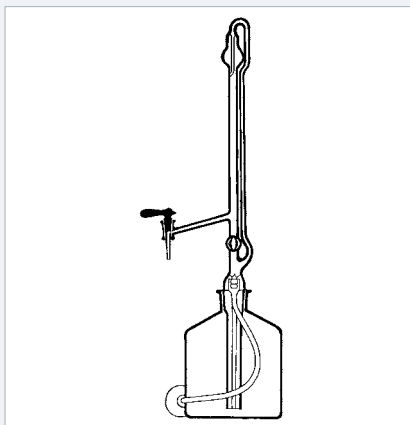
Pellet, with discharging and by-pass cock, reservoir bottle with rubber ball

AUTOMATISCHE BÜRETTE

nach Pellet mit Hahn, Vorratsflasche mit NS 29/32, mit Gummiballon und Auslaufhahn zwischen Burette und Flasche

Cat. No. 1581 BL

Catalog No. Katalog-Nr.	Capacity (ml) Kapazität	Subdivision (ml) Unterteilung (ml)	Permitted error (ml) zulässiger Fehler (ml)	Packing (pcs) Packung (Stück)
1632436210619	10	0.05	0.05	2
1632436210723	25	0.10	0.10	2
1632436210725	50	0.10	0.10	2



BURETTE FLASK

clear

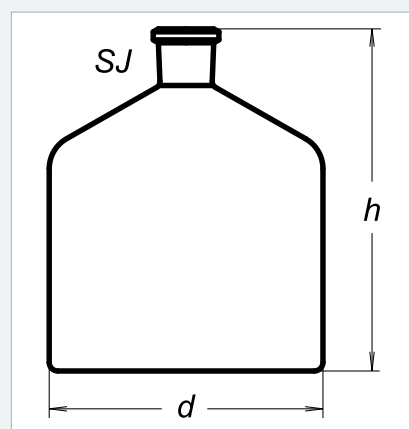
BÜRETTENFLASCHE

klar

Cat. No. 2100 B

Catalog No. Katalog-Nr.	Capacity (ml) Kapazität	d (mm)	h (mm)	SJ NS	Packing (pcs) Packung (Stück)
N555436801046	2000	160	200	29/32	6

CSN
70 4118



MEASURE GRADUATED, BELL SHAPED

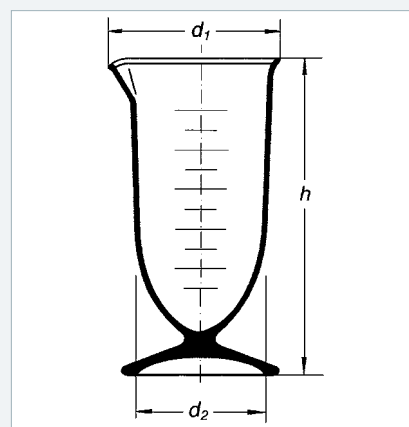
with spout, graduated

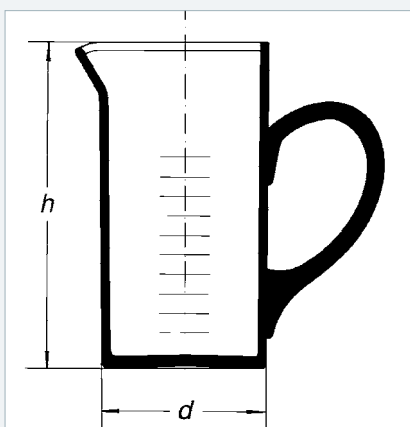
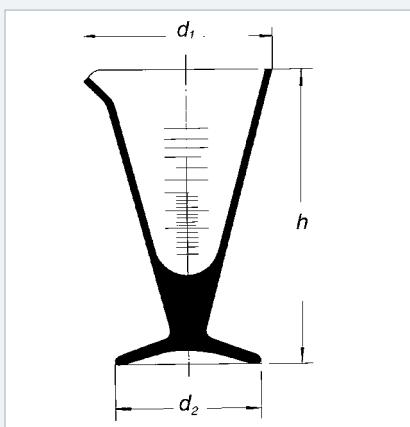
MENSUREN GRADUIERT, GLOCKENFÖRMIG

mit Ausguss

Cat. No. 1686

Catalog No. Katalog-Nr.	Capacity (ml) Kapazität	d1 (mm)	d2 (mm)	h (mm)	Packing (pcs) Packung (Stück)
1632432540818	5	26	22	70	10
1632432540919	10	30	25	75	10
1632432541123	25	39	30	90	10
1632432541125	50	50	38	110	10
1632432541230	100	62	49	130	24
1632432541338	250	84	67	160	10
1632432541443	500	102	80	200	10
1632432541644	1000	126	100	240	2
1632432541746	2000	148	116	310	8





MEASURE GRADUATED, CONICAL

with glass base and graduation

MENSUREN MIT TEILUNG KONISCH

mit Glasfus

Cat. No. 1688

Catalog No. Katalog-Nr.	Capacity (ml) Kapazität	d1 (mm)	d2 (mm)	h (mm)	Packing (pcs) Packung (Stück)
1632432591123	25	61	45	100	10
1632432591225	50	68	54	110	10
1632432591230	100	85	65	140	10
1632432591338	250	105	75	180	9
1632432591443	500	125	80	215	6
1632432591544	1000	160	110	270	6
1632432591546	2000	192	115	330	6

ISO
648

DIN
12 691

MEASURE GRADUATED, CYLINDRICAL

with graduation and handle

MESSKRÜGE

mit Teilung, zylindrisch, mit Henkel

Cat. No. 1681

Catalog No. Katalog-Nr.	d (mm)	h (mm)	Packing (pcs) Packung (Stück)
1632432511330	50	100	10
1632432511338	68	132	10
1632432511443	83	177	10
1632432511644	104	205	10
1632432511746	130	250	6

CSN
70 4118

MEASURE GRADUATED, CONICAL

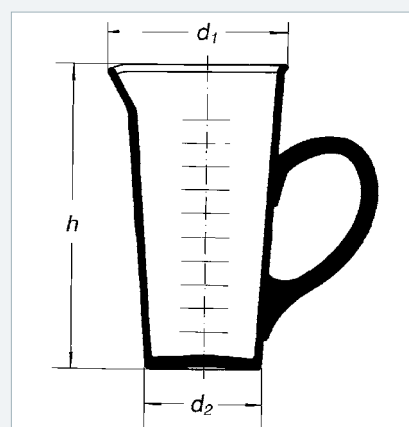
with graduation and handle

MESSKRÜGE

mit Teilung, konisch, mit Henkel

Cat. No. 1683

Catalog No. Katalog-Nr.	Capacity (ml) Kapazität	d1 (mm)	d2 (mm)	h (mm)	Packing (pcs) Packung (Stück)
1632432521330	100	57	42	115	10
1632432521338	250	75	55	140	10
1632432521443	500	100	70	170	10
1632432521644	1000	120	90	225	10
1632432521746	2000	145	107	270	2



URINE MEASURE

graduated

URIN - MESSKRÜGE

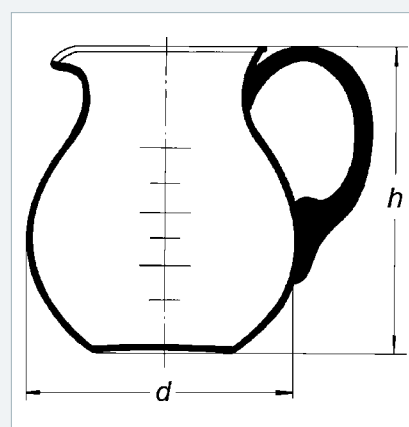
graduiert

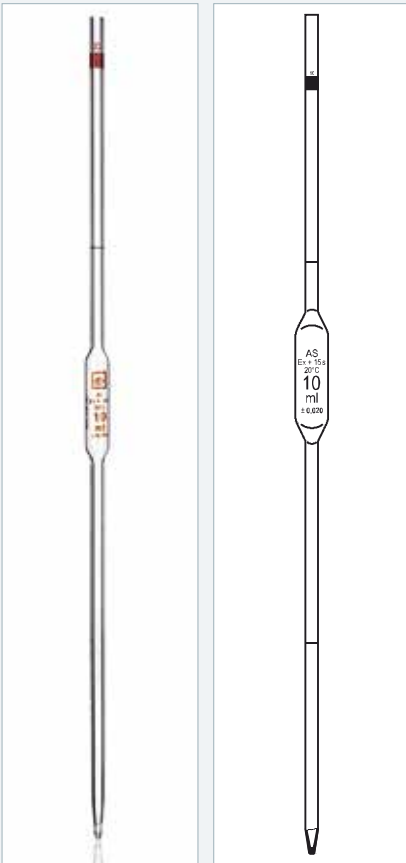
Cat. No. 3542

Catalog No. Katalog-Nr.	Capacity (ml) Kapazität	d (mm)	h (mm)	Packing (pcs) Packung (Stück)
1632432554845	1500	155	175	4

ISO
853

DIN
12 697





PIPETT, NOT GRADUATED

extended design with two scale lines,
QUALICOLOR, COLOR CODE, CLASS AS

PIPETTE NICHT GETEILT

breite Ausführung mit zwei Strichen,
QUALICOLOR, COLOR CODE,
AS KLASSE

Cat. No. 1595/2AS

Catalog No. Katalog-Nr.	Capacity (ml) Kapazität	Color Farbe	Packing (pcs) Packung (Stück)
N555433151014	1	blue / blau	50
N555433151016	2	orange / orangefarben	50
N555433151017	3 *	black / schwarz	50
N555433151117	4 *	2x red / 2x rot	50
N555433151018	5	white / weiß	25
N555433151019	10	red / rot	25
N555433151021	15 *	green / grün	25
N555433151022	20	yellow / gelb	10
N555433151023	25	blue / blau	10
N555433151024	30 *	black / schwarz	10
N555433151057	40 *	white / weiß	1
N555433151025	50	red / rot	1
N555433151058	75 *	green / grün	1
N555433151030	100	yellow / gelb	1
N555433151037	200 **	blue / blau	1

* Does not correspond to ISO standard. ** Does not correspond to DIN standard.

*Nicht nach Norm DIN und ISO. **Nicht nach Norm DIN.

ISO 648	DIN 12 691
------------	---------------

NOTES / AUFZEICHNUNGEN

PIPETT, GRADUATED

for full outflow, QUALICOLOR, COLOR CODE, CLASS AS

Scale with zero at the top. EX-calibration at the reference temperature +20°C. According to the scale it possible to take various amount of liquid and to dose this liquid as need may be. Typical use: exact measurement and dosage of liquids

PIPETTE GETEILT

für Vollausguß, QUALICOLOR, COLOR CODE, AS KLASSE

Teilung mit Null oben. Justierung auf Ausguß (EX) bei Bezugstemperatur von +20°C. Je nach Teilung kann eine unterschiedliche Menge an Flüssigkeit aufgenommen und nach Bedarf dosiert werden. Typische Verwendung: genaues Messen und Dosierung von Flüssigkeiten.

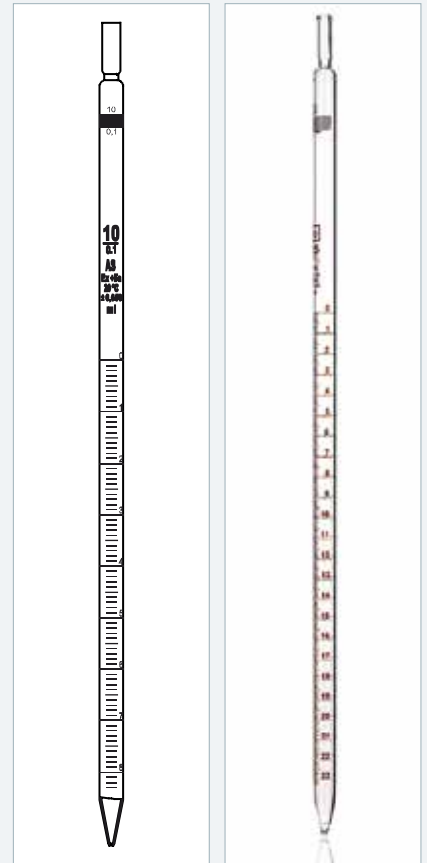
Cat. No. 1605 AS

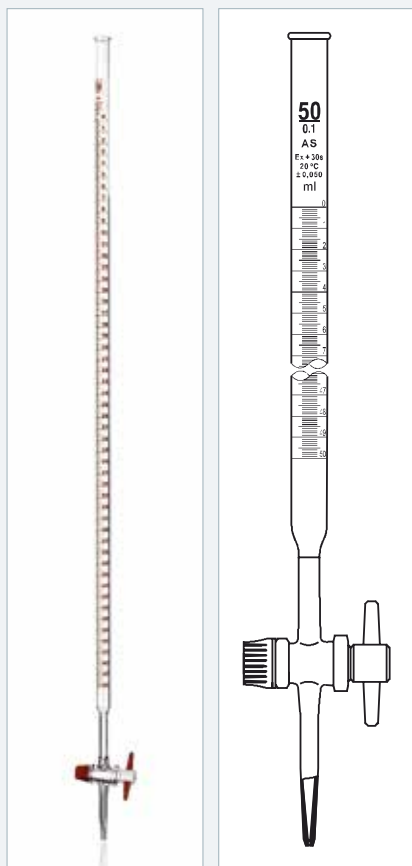
Catalog No. Katalog-Nr.	Capacity (ml) Kapazität	Color Farbe	Graduation division (ml) Teilung (ml)	Packing (pcs) Packung (Stück)
N555434116308	0.1	white / weiß	0.01	50
N555434116310	0.2	black / schwarz	0.01	50
N555434116312	0.5	2x yellow / gelb	0.01	50
N555434116314	1	yellow / gelb	0.01	50
N555434116714	1	red / rot	0.1	50
N555434116516	2	black / schwarz	0.02	50
N555434116716	2	green / grün	0.1	50
N555434116316	2	2x white / weiß	0.01	50
N555434116618	5	red / rot	0.05	50
N555434116718	5	blue / blau	0.1	50
N555434116719	10	orange / orangefarben	0.1	50
N555434116722	20 *	2x yellow / gelb	0.1	25
N555434116723	25	black / schwarz	0,05	25
N555434116725	50	2x orange / orangefarben	0.1	5
N555434116825	50 *	2x black / schwarz	0.1	5
N555434116831	100 *	red / rot	0.2	5

* Does not correspond to ISO and DIN standard. The design according ISO B35 needs to be stated in order.
* Nicht nach Normen DIN und ISO. Die Ausführung nach ISO 835 ist in der Bestellung aufzuführen.

ISO
835

DIN
12 697





BURETTE WITH STRAIGHT BORE STOPCOCK

with teflon key, QUALICOLOR,
CLASS AS

Simplification of the work in lab. For the PTFE keys, no lubrication is necessary.

BÜRETTE MIT DIREKTEM HAHN

mit Teflonhammer, QUALICOLOR,
AS KLASSE

Vereinfachung der Arbeit im Labor.
Hammer aus PTFE bedarf keiner Schmie-
rung.

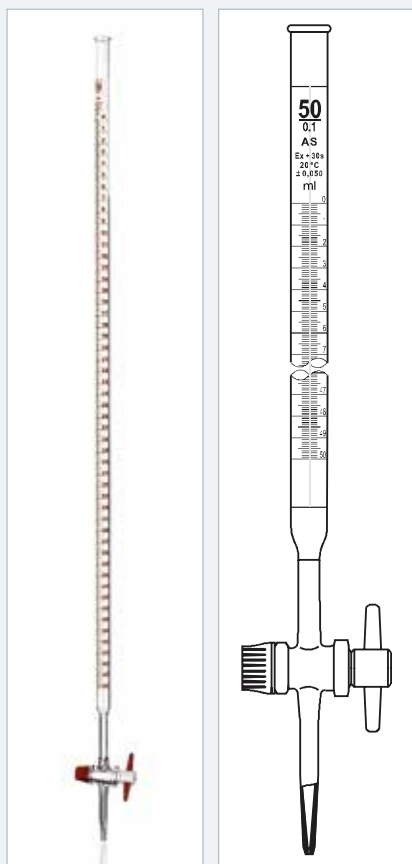
Cat. No. 1567 AST

Catalog No. Katalog-Nr.	Capacity (ml) Kapazität	Graduation division (ml) Teilung (ml)	Packing (pcs) Packung (Stück)
N555435256519	10	0.02	1
N555435256619	10	0.05	1
N555435256719	10 *	0.1	1
N555435256623	25	0.05	1
N555435256723	25	0.1	1
N555435256725	50	0.1	1
N555435256831	100	0.2	1

* Does not correspond to ISO standard.

* Nicht nach Norm DIN und ISO.

ISO
385



BURETTE WITH STRAIGHT BORE STOPCOCK

with teflon key, with Schellbach's stripe,
QUALICOLOR, CLASS AS

BÜRETTE MIT DIREKTEM HAHN

mit Teflonhammer, mit Schellbach-
Streifen, QUALICOLOR, AS KLASSE

Cat. No. 1567 AS-STK

Catalog No. Katalog-Nr.	Capacity (ml) Kapazität	Graduation division (ml) Teilung (ml)	Packing (pcs) Packung (Stück)
N555435276519	10	0.02	1
N555435276619	10	0.05	1
N555435276719	10 *	0.1	1
N555435276623	25	0.05	1
N555435276723	25	0.1	1
N555435276725	50	0.1	1
N555435276831	100	0.2	1

* Does not correspond to ISO standard.

* Nicht nach Norm DIN und ISO.

ISO
385

BURETTE WITH STRAIGHT BORE STOPCOCK

with glass key, QUALICOLOR, CLASS AS

IN-calibration (fill-in) at the reference temperature +20°C
Typical use: titration.

BÜRETTE MIT DIREKTEM HAHN

mit Glashammer, QUALICOLOR, AS KLASSE

Justierung auf Ausguß (EX) bei Bezugstemperatur von +20°C.
Typische Verwendung: Titration.

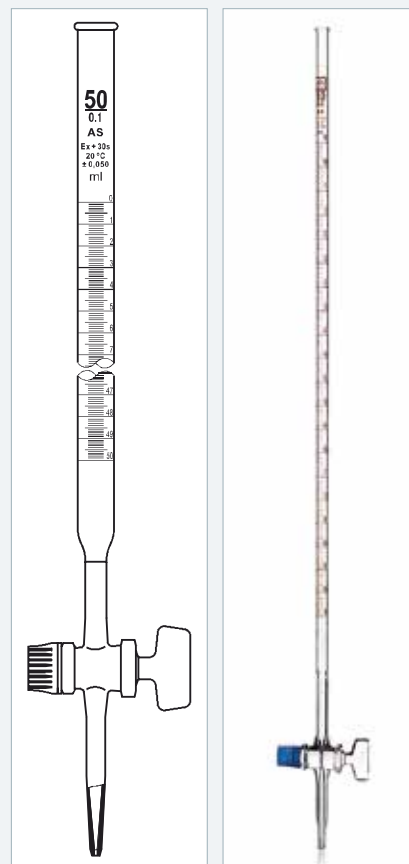
Cat. No. 1567 AS

Catalog No. Katalog-Nr.	Capacity (ml) Kapazität	Graduation division (ml) Teilung (ml)	Packing (pcs) Packung (Stück)
N555435156519	10	0.02	1
N555435156619	10	0.05	1
N555435156719	10 *	0.1	1
N555435156623	25	0.05	1
N555435156723	25	0.1	1
N555435156725	50	0.1	1
N555435156831	100	0.2	1

* Does not correspond to ISO standard.

* Nicht nach Norm DIN und ISO.

ISO
385



BURETTE WITH STRAIGHT BORE STOPCOCK

with glass key, with Schellbach's stripe, QUALICOLOR, CLASS AS

BÜRETTE MIT DIREKTEM HAHN

mit Glashammer, mit Schellbach-Streifen, QUALICOLOR, AS KLASSE

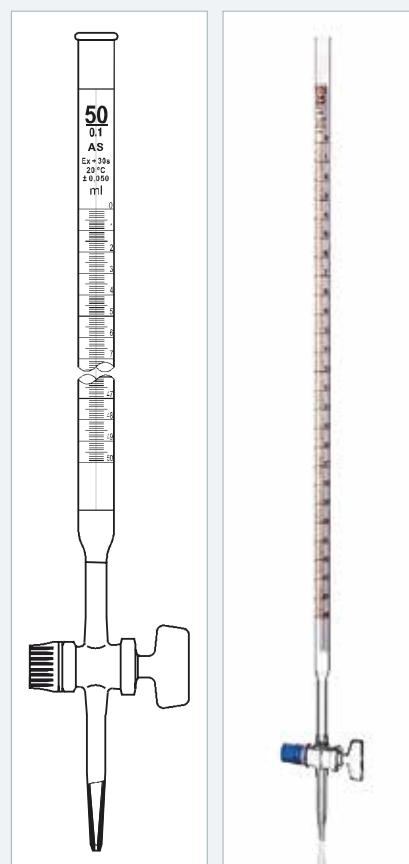
Cat. No. 1567 AS-S

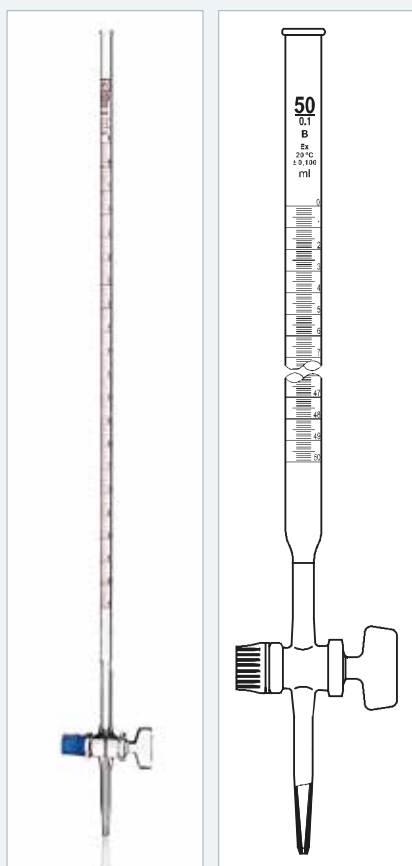
Catalog No. Katalog-Nr.	Capacity (ml) Kapazität	Graduation division (ml) Teilung (ml)	Packing (pcs) Packung (Stück)
N555435176519	10	0.02	1
N555435176619	10	0.05	1
N555435176719	10 *	0.1	1
N555435176623	25	0.05	1
N555435176723	25	0.1	1
N555435176725	50	0.1	1
N555435176831	100	0.2	1

* Does not correspond to ISO standard.

* Nicht nach Norm DIN und ISO.

ISO
385





BURETTE WITH STRAIGHT BORE STOPCOCK

with glass key, QUALICOLOR, CLASS B

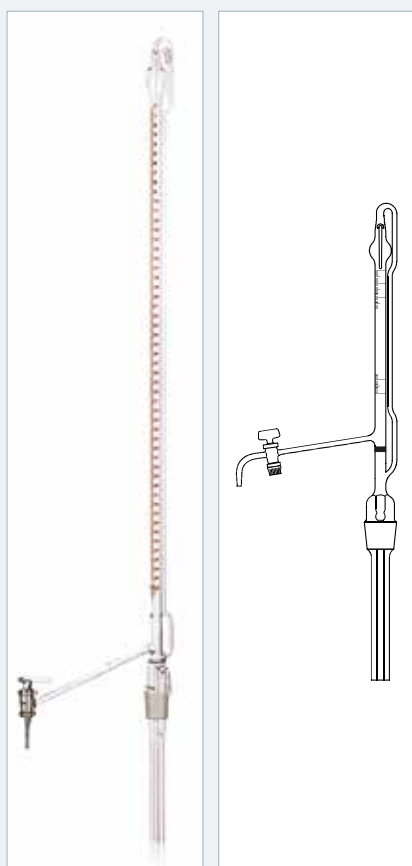
BÜRETTE MIT DIREKTEM HAHN

mit Glashammer, QUALICOLOR,
KLASSE B

Cat. No. 1567 B

Catalog No. Katalog-Nr.	Capacity (ml) Kapazität	Graduation division (ml) Teilung (ml)	Packing (pcs) Packung (Stück)
N555435106519	10	0.02	1
N555435106619	10	0.05	1
N555435106719	10 *	0.1	1
N555435106623	25	0.05	1
N555435106723	25	0.1	1
N555435106725	50	0.1	1
N555435106831	100	0.2	1

ISO
385



TITRATION APPARATUS, PELLET

with stopcock, with glass key,
QUALICOLOR, CLASS AS

AUTOMATISCHE BÜRETTE NACH PELLET

mit Hahn mit Glashammer,
QUALICOLOR, AS KLASSE

Cat. No. 1580 AS

Catalog No. Katalog-Nr.	Capacity (ml) Kapazität	Graduation division (ml) Teilung (ml)	Packing (pcs) Packung (Stück)
N555436666519	10	0.02	1
N555436666619	10	0.05	1
N555436666719	10 *	0.1	1
N555436666623	25	0.05	1
N555436666723	25	0.1	1
N555436666725	50	0.1	1
N555436666831	100	0.2	1

ISO
385

TITRATION APPARATUS,
PELLET

with stopcock, with by-pass cock, with
glass key, QUALICOLOR, CLASS AS

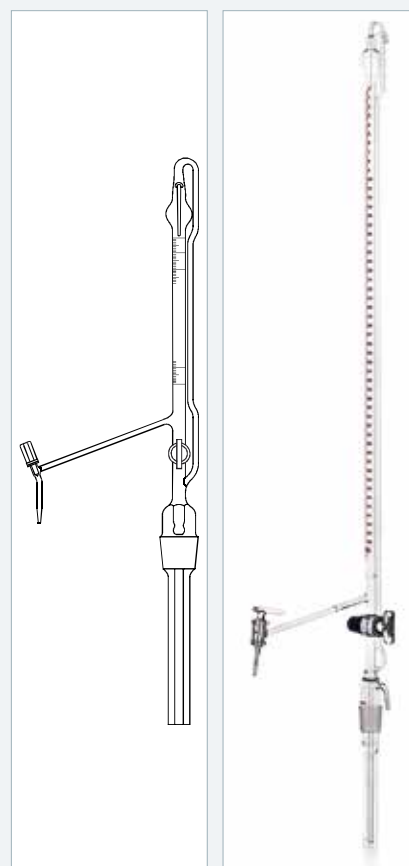
AUTOMATISCHE
BÜRETTE NACH PELLET

mit Hahn, Auslaufhahn, Glashammer,
QUALICOLOR, AS KLASSE

Cat. No. 1581 AS

Catalog No. Katalog-Nr.	Capacity (ml) Kapazität	Graduation division (ml) Teilung (ml)	Packing (pcs) Packung (Stück)
N555436766519	10	0.02	1
N555436766619	10	0.05	1
N555436766719	10 *	0.1	1
N555436766623	25	0.05	1
N555436766723	25	0.1	1
N555436766725	50	0.1	1
N555436766831	100	0.2	1

ISO
385



NOTES / AUFZEICHNUNGEN





**FUNNELS,
FILTERING**

**TRICHTER,
FILTRATION**

FUNNELS, FILTERING

Glass presents an ideal material for the handling of chemicals. It is also essential for the filtering and separation of various substances. For handling of these chemicals and substances, the funnels and filling funnels come in a variety of designs.

Ribbed funnels are suitable for simple filtering using folded paper filters. Sintered filtering plates and funnels with sintered disc are available in five grades. Coupled with filtering flasks, these items are suitable for vacuum filtering. Separatory funnels are used for the separation of particular phases of mixtures. Dropping funnels can be used for dosage of chemicals into reagent vessels and process plant.

TRICHTER, FILTRATIONSEINHEITEN

Glas ist ein idealer Werkstoff für die Handhabung von Chemikalien. Für die Filtration und Abtrennung verschiedener Stoffe ist dieser Stoff sogar unersetzlich. Für die Handhabung werden Trichter und Pulvertrichter verschiedener Ausführung eingesetzt.

Die Rippenrichter sind für eine einfache Filtration mit gefalteten Papierfiltern geeignet. Frittenplatten und Frittennutschen mit verschiedener Porosität für die Vakuumfiltration. Scheidetrichter für die Abtrennung einzelner Phasen der Mischung und Tropftrichter für die Dosierung der Chemikalien in die Reagenzbehälter und Apparaturen.

FUNNEL WITH SHORT STEM

angle 60°

These funnels possess high chemical and thermal resistance.
Typical use: filtering and handling with liquids.

TRICHTER IM WINKEL VON 60°

mit kurzem Stiel

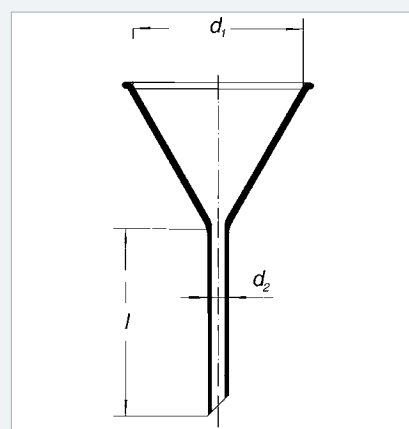
Die Trichter haben eine hohe chemische sowie Wärmebeständigkeit.
Typische Verwendung: Filtration und Handhabung von Flüssigkeiten.

Cat. No. 2350

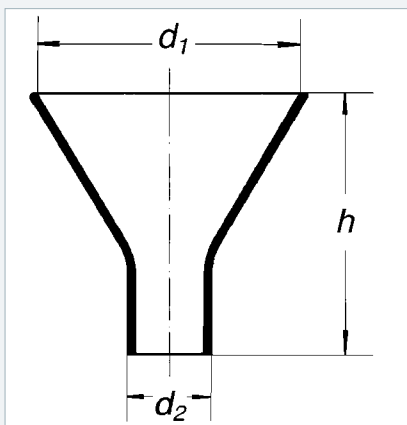
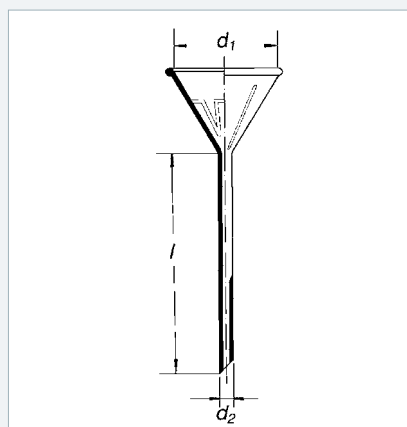
Catalog No. Katalog-Nr.	d1 (mm)	d2 (mm)	l (mm)	Packing (pcs) Packung (Stück)
n555413001035	35	6	35	10
n555413001045	45	6	45	10
n555413001055	55	8	55	10
n555413001075	75	8	75	10
n555413001085	85	9	85	10
n555413001100	100	10	100	10
n555413001125	125	16	125	10
n555413001150	150	16	150	10
1632413001200	200	24	150	6
1632413001250	250	30	175	2
1632413001300	300	34	175	2

ISO
4798

CSN
70 4080



NOTES / AUFZEICHNUNGEN



FUNNEL, ANALYTICAL

for quick filtering

These funnels possess high chemical and thermal resistance.

Typical use: quick filtering of liquids.

ANALYSETRICHTER

für schnelle Filtration

Die Trichter haben eine hohe chemische sowie Wärmebeständigkeit.

Typische Verwendung: Filtration und Handhabung von Flüssigkeiten.

Cat. No. 2354

Catalog No. Katalog-Nr.	d1 (mm)	d2 (mm)	l (mm)	Packing (pcs) Packung (Stück)
1632421052055	55	8	150	10
1632421052075	75	8	150	10
1632421052100	100	8	150	10

ISO
4798

CSN
70 4080

FUNNEL FILLING

with short straight end

Typical use: handling with powdery and granulated substances.

PULVERTRICHTER

mit kurzem, gerade Stiel

Typische Verwendung: Handhabung der Pulver- und Granulatstoffe.

Cat. No. 2356

Catalog No. Katalog-Nr.	d1 (mm)	d2 (mm)	h (mm)	Packing (pcs) Packung (Stück)
1632413103050	50	20	50	10
1632413103060	60	20	60	10
1632413103080	80	25	75	10
1632413103100	100	25	95	10
1632413103120	120	30	110	10
1632413103160	160	35	137	10
1632413103200	200	38	180	6

PN
70 0116

FUNNEL FILLING

with short oblique end

Typical use: handling with powdery and granulated substances.

PULVERTRICHTER

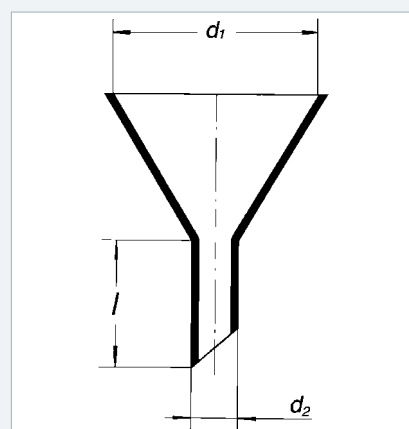
mit kurzem, schräge Stiel

Typische Verwendung: Handhabung der Pulver- und Granulatstoffe.

Cat. No. 2356/5

Catalog No. Katalog-Nr.	d1 (mm)	d2 (mm)	l (mm)	Packing (pcs) Packung (Stück)
1632413102060	60	10	30	10
1632413102080	80	12	32	10
1632413102100	100	15	35	10
1632413102150	150	32	52	10

PN
70 0116



FUNNEL, RIBBED

Ribbed funnels are suitable for use with folded paper filters.

Typical use: filtering of liquids.

RIPPENTRICHTER

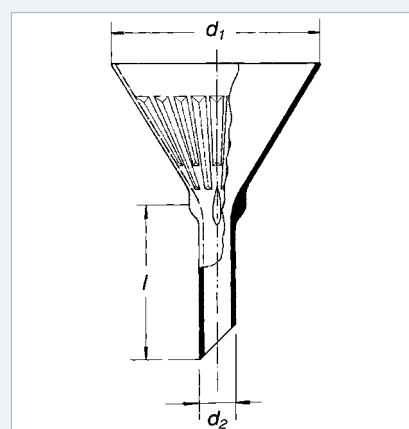
Die Rippenform der Trichter ist für die gefalteten Papierfilter geeignet.

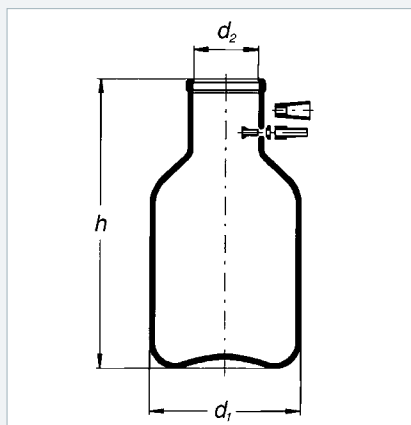
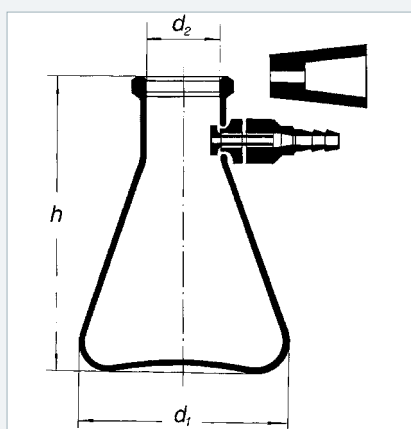
Typische Verwendung: Filtration von Flüssigkeiten

Cat. No. 2360

Catalog No. Katalog-Nr.	d1 (mm)	d2 (mm)	l (mm)	Packing (pcs) Packung (Stück)
1632413004100	105	18	80	12
1632413004130	138	22	90	6
1632413004160	170	26	120	6
1632413004200	210	38	140	3
1632413004250	250	40	155	2

CSN
70 4080





FILTERING FLASK

with plastic side hose and plastic tube

Thick-wall type filtering flasks allow for the use of vacuum for accelerated filtering.

Typical use: filtering of liquids.

SAUGFLASCHEN

mit Kunststoff – Olive und Kunststoff – Tubus

Die dickwandigen Saugflaschen ermöglichen es, Vakuum für die Beschleunigung der Filtration zu verwenden.

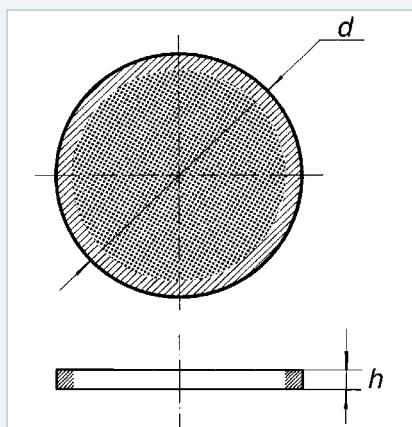
Typische Verwendung: Filtration von Flüssigkeiten.

Cat. No. 2419

Catalog No. Katalog-Nr.	Capacity (ml) Kapazität	d1 (mm)	d2 (mm)	h (mm)	Packing (pcs) Packung (Stück)
1632412021100	100	70	24	105	10
1632412021250	250	85	35	145	10
1632412021500	500	105	35	175	8
1632412021940	1000	135	45	230	8
1632412021950	2000	165	60	255	6
1632412021952	3000	170	70	295	6
1632412021956	5000	185	80	360	3
1632412021966	10000	240	80	420	1

PN	ISO	DIN
70 0124	6556	12 476

NOTES / AUFZEICHNUNGEN



DISCS SINTERED, FLATGROUND

ground edges

Discs sintered, with various porosity - S0 to S4

Typical use: vacuum filtering.

KREISFÖRMIGE FRITTENPLATTEN,

RUNDGESCHLIFFEN

Frittenplatten mit verschiedener Porosität S0 bis S4.

Typische Verwendung: Vakuumfiltration.

Cat. No. 11 S				
Catalog No. Katalog-Nr.	Trade markage Handelsbezeichnung	d (mm)	h (mm)	Packing (pcs) Packung (Stück)
1632424011101	s1	10	2.50	20
1632424011201	s2	10	2.50	20
1632424011301	s3	10	2.50	20
1632424011401	s4	10	2.50	20
1632424011102	s1	20	3.50	20
1632424011202	s2	20	3.50	20
1632424011302	s3	20	3.50	20
1632424011402	s4	20	3.50	20
1632424011103	s1	30	3.50	20
1632424011203	s2	30	3.50	20
1632424011303	s3	30	3.50	20
1632424011403	s4	30	3.50	20
1632424011104	s1	40	4.00	20
1632424011204	s2	40	4.00	20
1632424011304	s3	40	4.00	20
1632424011404	s4	40	4.00	20
1632424011106	s1	60	5.00	20
1632424011206	s2	60	5.00	20
1632424011306	s3	60	5.00	20
1632424011406	s4	60	5.00	20
1632424011109	s1	90	7.50	20
1632424011209	s2	90	7.50	20
1632424011309	s3	90	7.50	20
1632424011409	s4	90	7.50	20
1632424011112	s1	120	9.00	10
1632424011212	s2	120	9.00	10
1632424011312	s3	120	9.00	10
1632424011412	s4	120	9.00	10
1632424011115	s1	150	10.50	10
1632424011215	s2	150	10.50	10
1632424011315	s3	150	10.50	10
1632424011415	s4	150	10.50	10
1632424011217	s2	175	12.00	10
1632424011317	s3	175	12.00	10
1632424011121	s1	210	13.50	7
1632424011221	s2	210	13.50	7
1632424011321	s3	210	13.50	7
1632424011421	s4	210	13.50	7

CRUCIBLES

gouch type

With sealed sintered disc of various porosity - S0 to S4
Typical use: vacuum filtering

GLASFILTERTIEGEL

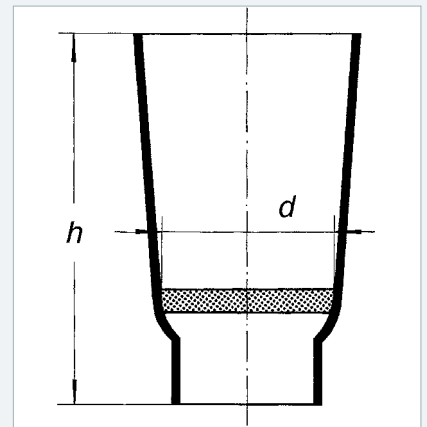
konische Form

Mit hitzeversiegelter Frittenplatte verschiedener Porosität S0 bis S4.
Typische Verwendung: Vakuumfiltration.

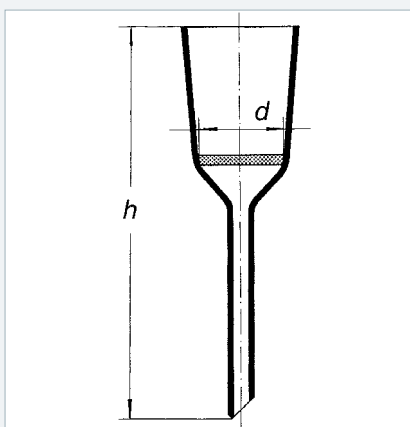
Cat. No. 31 S

Catalog No. Katalog-Nr.	Capacity (ml) Kapazität	Trade markage Handelsbezeichnung	d (mm)	h (mm)	Packing (pcs) Packung (Stück)
1632424331102	15	s1	20	50	10
1632424331202	15	s2	20	50	10
1632424331302	15	s3	20	50	10
1632424331402	15	s4	20	50	10
1632424331103	35	s1	30	60	10
1632424331203	35	s2	30	60	10
1632424331303	35	s3	30	60	10
1632424331403	35	s4	30	60	10
1632424331104	55	s1	40	65	10
1632424331204	55	s2	40	65	10
1632424331304	55	s3	40	65	10
1632424331404	55	s4	40	65	10

PN
70 4855



NOTES / AUFZEICHNUNGEN



FUNNELS WITH SINTERED DISC

With sealed sintered disc of various porosity - S0 to AS4
Typical use: vacuum filtering

FRITTENNUTSCHE

Mit hitzeversiegelter Frittenplatte verschiedener Porosität S0 bis S4.
Typische Verwendung: Vakuumfiltration.

Cat. No. 34 S

Catalog No. Katalog-Nr.	Capacity (ml) Kapazität	Trade markage Handelsbe- zeichnung	d (mm)	h (mm)	Packing (pcs) Packung (Stück)
1632424334103	35	s1	30	143	10
1632424334203	35	s2	30	143	10
1632424334303	35	s3	30	143	10
1632424334403	35	s4	30	143	10
1632424334104	70	s1	40	165	45
1632424334204	70	s2	40	165	45
1632424334304	70	s3	40	165	45
1632424334404	70	s4	40	165	45
1632424334106	150	s1	60	191	20
1632424334206	150	s2	60	191	20
1632424334306	150	s3	60	191	20
1632424334406	150	s4	60	191	20
1632424334109	500	s1	90	246	10
1632424334209	500	s2	90	246	10
1632424334309	500	s3	90	246	10
1632424334409	500	s4	90	246	10
1632424334112	1000	s1	120	306	4
1632424334212	1000	s2	120	306	4
1632424334312	1000	s3	120	306	4
1632424334412	1000	s4	120	306	4
1632424334115	2500	s1	150	426	3
1632424334215	2500	s2	150	426	3
1632424334315	2500	s3	150	426	3
1632424334415	2500	s4	150	426	3
1632424334117	4000	s1	175	490	2
1632424334217	4000	s2	175	490	2
1632424334317	4000	s3	175	490	2
1632424334417	4000	s4	175	490	2
1632424334121	7500	s1	210	575	2
1632424334221	7500	s2	210	575	2
1632424334321	7500	s3	210	575	2
1632424334421	7500	s4	210	575	2

PN
70 4855

FUNNEL SEPARATOR

cylindrical, open

Suitable for separation of particular phases of the mixture.

SCHEIDETRICHTER, ZYLINDRISCH

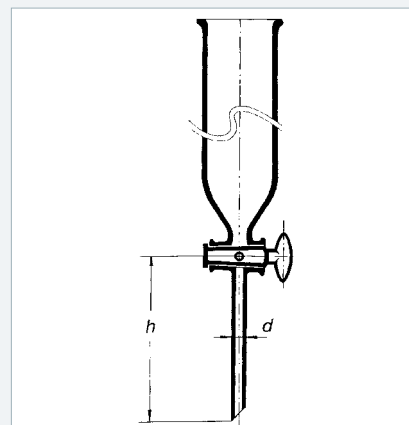
offene form

für die Abtrennung einzelner Phasen der Mischung geeignet.

Cat. No. 2390

Catalog No. Katalog-Nr.	Capacity (ml) Kapazität	d (mm)	h (mm)	Key No. Schlüsselnr.	Packing (pcs) Packung (Stück)
1632426010050	50	9	150	2	4
1632426010100	100	9	150	2	4
1632426010250	250	9	150	2	2
1632426010500	500	10	150	4	2
1632426010940	1000	10	150	4	2

PN 70 4083 CSN 70 4080



FUNNEL SEPARATOR

with stopper SJ

Suitable for separation of particular phases of the mixture.

SCHEIDETRICHTER, KUGELFÖRMIG

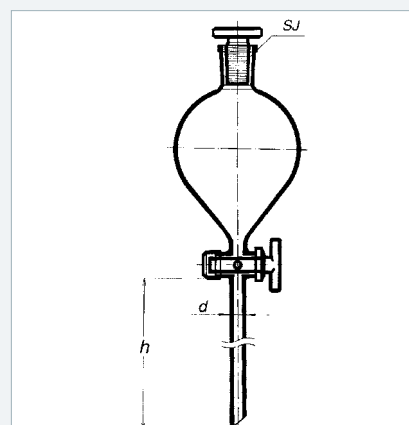
Mit NS - Stopfen

Für die Abtrennung einzelner Phasen der Mischung geeignet.

Cat. No. 2392

Catalog No. Katalog-Nr.	Capacity (ml) Kapazität	d (mm)	h (mm)	Key No. Schlüsselnr.	SJ NS	Packing (pcs) Packung (Stück)
1632426351050	50	9	150	2	19/26	4
1632426351100	100	9	150	2	19/26	4
1632426351250	250	9	200	2	29/32	2
1632426351500	500	10	200	4	29/32	2
1632426351940	1000	10	200	4	29/32	2
1632426351950	2000	13	200	6	29/32	1

PN 70 4083 CSN 70 4080



FUNNEL SEPARATOR, PEAR SHAPE

with SJ stopper

Pear shape facilitates more precise separation of particular phases of the mixture.

SCHEIDETRICHTER BIRNENFÖRMIG

mit NS – Stopfen

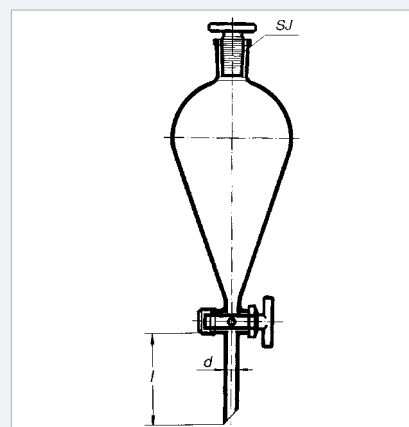
Der kegelförmige Bereich ermöglicht eine genauere Abtrennung einzelner Phasen der Mischung.

Cat. No. 2394

Catalog No. Katalog-Nr.	Capacity (ml) Kapazität	d (mm)	l (mm)	Key No. Schlüsselnr.	SJ NS	Packing (pcs) Packung (Stück)
1632426355050	50	9	70	2	19/26	4
1632426355100	100	9	70	2	19/26	4
1632426355250	250	9	70	2	29/32	2
1632426355500	500	10	70	4	29/32	2
1632426355940	1000	10	70	4	29/32	2
1632426355950	2000	13	70	6	29/32	4

PN
70 4083

CSN
70 4080



FUNNEL SEPARATOR CONICAL, ACC. TO SQUIBB

with SJ stopper and teflon SJ stopcock

The conical shape facilitates more precise separation of particular phases of the mixture.

SCHEIDETRICHTER NACH SQUIBB KEGELFÖRMIG

mit NS – Stopfen und NS – Teflonhahn

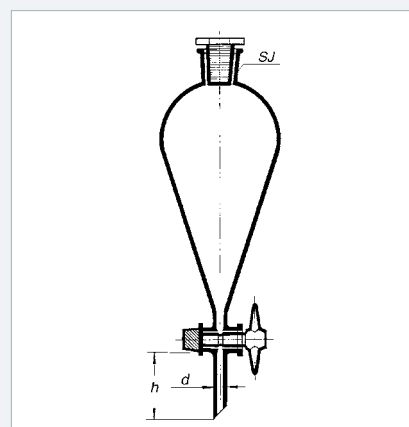
Der kegelförmige Bereich ermöglicht eine genauere Abtrennung einzelner Phasen der Mischung.

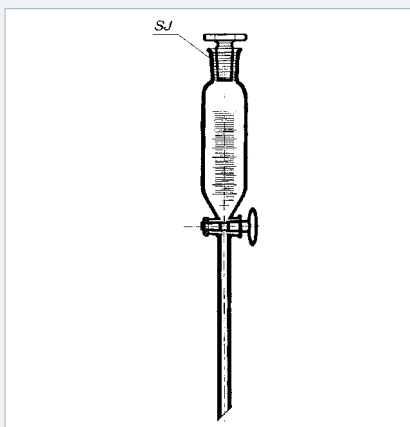
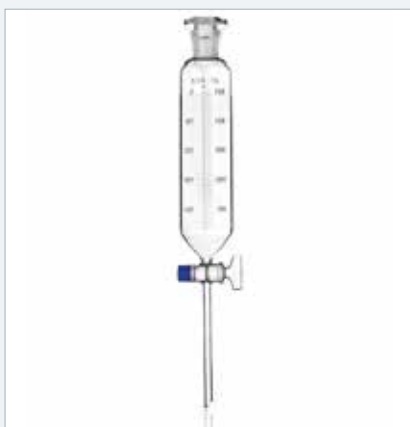
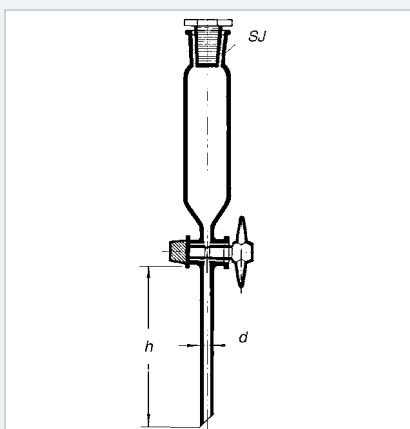
Cat. No. 2394T

Catalog No. Katalog-Nr.	Capacity (ml) Kapazität	d (mm)	l (mm)	Key No. Schlüsselnr.	SJ NS	Packing (pcs) Packung (Stück)
1632426355056	50	9	70	2	19/26	4
1632426355106	100	9	70	2	19/26	4
1632426355256	250	9	70	2	29/32	2
1632426355506	500	10	70	4	29/32	2
1632426355946	1000	10	70	4	29/32	2
1632426355956	2000	13	70	6	29/32	4

PN
70 4083

CSN
70 4080





FUNNEL SEPARATOR, CYLINDRICAL

with glass stopper SJ, without graduation

Suitable for separation of particular phases of the mixture.

SCHEIDETRICHTER, ZYLINDRISCH

mit NS – Glasstopfen, ungraduiert

Für die Abtrennung einzelner Phasen der Mischung geeignet.

Cat. No. 2397

Catalog No. Katalog-Nr.	Capacity (ml) Kapazität	d (mm)	h (mm)	Key No. Schlüsselnr.	SJ NS	Packing (pcs) Packung (Stück)
1632426354050	50	9	150	2	19/26	4
1632426354100	100	9	150	2	19/26	4
1632426354250	250	9	150	2	29/32	2
1632426354500	500	10	150	4	29/32	2
1632426354940	1000	10	150	4	29/32	2
1632426354950	2000	13	150	6	29/32	1

PN 70 4083 CSN 70 4080

FUNNEL SEPARATOR, CYLINDRICAL

graduated

The graduated funnels for estimative measurement. May be also used as dropping funnel.

SCHEIDETRICHTER, ZYLINDRISCH

graduiert

Scheidetrichter mit Teilung für das Orientierungsmessen. Sie können als Tropftrichter verwendet werden.

Cat. No. 2398

Catalog No. Katalog-Nr.	Capacity (ml) Kapazität	SJ NS	Packing (pcs) Packung (Stück)
1632426009050	50	19/26	4
1632426009100	100	19/26	4
1632426009250	250	29/32	2
1632426009500	500	29/32	2
1632426009940	1000	29/32	2
1632426009950	2000	29/32	1

PN 70 4083 CSN 70 4080

FUNNEL SEPARATORY, CYLINDRICAL

dropping, with glass stopper SJ, without graduation

Separatory funnel with standardized SJ at the bottom end, for connection to the plant.

Typical use: dosing of the liquid into the reaction mixture.

TROPFTRICHTER, ZYLINDRISCH

mit NS – Glasstopfen, ungraduiert

Tropftrichter mit Normschliff am Unterteil für Anschluss an Apparatur.

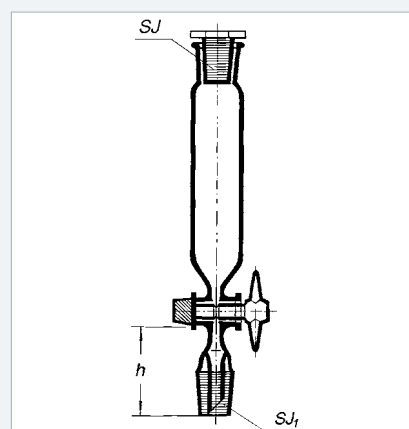
Typische Verwendung: Dosierung der Flüssigkeit in Reaktionsmischung.

Cat. No. 2399

Catalog No. Katalog-Nr.	Capacity (ml) Kapazität	SJ NS	SJ1 NS1	h (mm)	Key No. Schlüsselnr.	Packing (pcs) Packung (Stück)
1632426356050	50	19/26	14/24	50	2	4
1632426356100	100	19/26	14/24	50	2	4
1632426356250	250	29/32	29/32	65	2	2
1632426356500	500	29/32	29/32	65	4	2
1632426356940	1000	29/32	29/32	65	4	2
1632426356950	2000	29/32	29/32	65	6	1

PN
70 4083

CSN
70 4080



FILTERING DEVICES

with accessories

As good as the universal application - the medium only comes into contact with the glass plates, interchangeable PTFE adaptors, quick & easy cleaning. All components are available as spare parts.

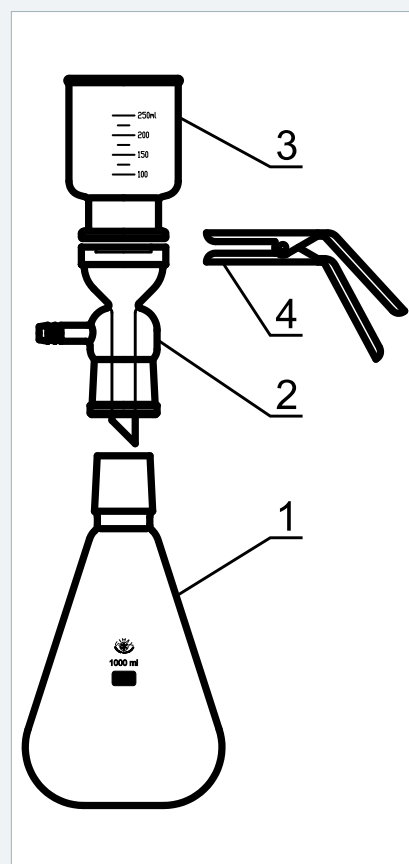
FILTRATIONSEINRICHTUNG

mit Zubehör

Praktische universelle Anwendung – das Medium kommt nur mit den Glasplatten in Verbindung und die PTFE-Adapter sind austauschbar – einfache und schnelle Reinigung. Alle Komponenten sind als Ersatzteile lieferbar.

Cat. No. 2115

Catalog No. Katalog-Nr.	Position Position	Name Name
1632442230201	1	Conical retort 1000 ml, NZ 34/35 Kegelkolben 1000ml, NS 34/35
1632442230202	2	NZ 24/35 adapter with S2 frit Aufsatz NS 34/35 mit Fritten S2
1632442230206	3	Cylindrical funnel 250 ml Trichter zylindrisch 250ml
9180003262	4	Clip, diameter 58 Clip D.58







**GLASSWARE
WITH SJ**

**GLASWARE
MIT NS-SCHLIFF**

GLASSWARE WITH SJ

The SIMAX products with SJ (borosilicate glass) are intended for daily lab work.

The range of flasks and extensive accessories enable easy mounting of various plant. The SJ presents an ideal gas-tight connection and enables work with aggressive and volatile substances whilst maintaining a safe working environment. In so doing, it is absolutely essential to observe specific properties of glass. Care should be taken in the heating up, cooling-down, vacuum work or increased/decreased pressurisation. Close inspection of all glass laboratory items should be carried out before every use to check for damage. Damaged items should not be used.

GLASWARE MIT NS-SCHLIFF

Die Glasware mit NS-Schliff aus Borosilikatglas SIMAX ist für die alltägliche Arbeit im Labor vorgesehen.

Das Sortiment an Kolben und ein breites Zubehör ermöglichen die Zusammensetzung verschiedenster Apparaturen. Der NS-Schliff stellt eine ideale gasdichte Verbindung dar und ermöglicht es, mit aggressiven und flüchtigen Stoffen ohne Bedrohung der Arbeitsumgebung zu arbeiten. Es ist jedoch erforderlich, die spezifischen Glaseigenschaften zu beachten, insbesondere bei Erwärmung, Kühlung und bei Arbeiten mit Vakuum oder bei erhöhtem Druck. Eine sorgfältige Kontrolle der Integrität der Apparatur ist notwendig; eine Verwendung bei beschädigten Bestandteilen (Risse, Rillen, ausgebrochene Ränder) ist in keinem Fall möglich.

FLASK, CONICAL

acc. Erlenmeyer, with SJ

Provided with large description field (indication of content). Suitable for mixing of fluids. The uniform thickness of walls provides for safe work during thermal operations.

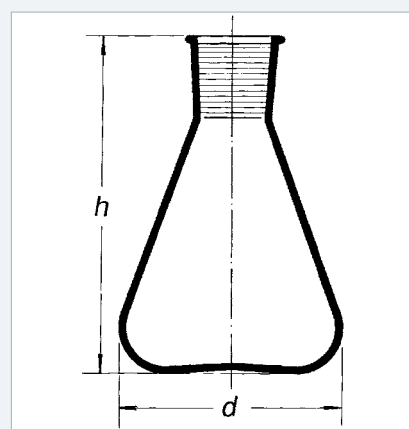
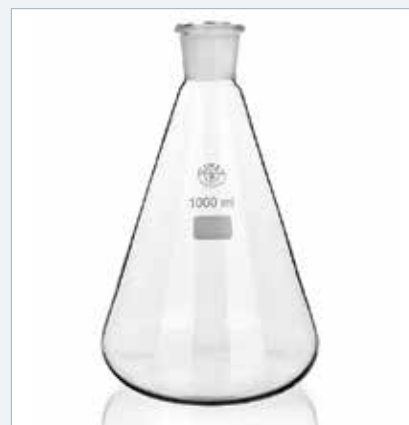
ERLENMEYER-KOLBEN MIT NS

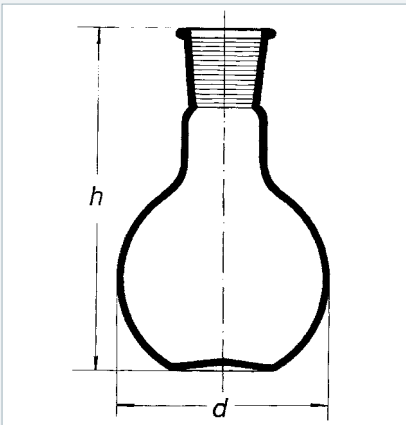
Die Kolben haben ein großes Beschriftungsfeld, das zur Kennzeichnung des Inhaltes vorgesehen ist. Sie sind für das Rühren von Flüssigkeiten geeignet. Eine gleichmäßige Wanddicke sorgt für eine sichere Arbeit bei Wärmeoperationen.

Cat. No. 8024

Catalog No. Katalog-Nr.	Capacity (ml) Kapazität	d (mm)	h (mm)	SJ NS	Packing (pcs) Packung (Stück)
1632426207025	25	42	70	14/23	10
1632426207026	25	42	70	19/26	10
1632426207050	50	51	85	14/23	10
1632426207051	50	51	85	19/26	10
1632426207052	50	51	85	29/32	10
1632426207100	100	64	105	14/23	10
1632426207101	100	64	105	19/26	10
1632426207102	100	64	105	29/32	10
1632426207200	200	79	130	29/32	10
1632426207252	250	85	140	14/23	10
1632426207250	250	85	140	29/32	10
1632426207251	250	85	140	45/40	10
1632426207300	300	87	155	29/32	10
1632426207500	500	105	175	29/32	10
1632426207501	500	105	175	45/40	10
1632426207940	1000	131	215	29/32	10
1632426207941	1000	131	215	45/40	10
1632426207950	2000	166	275	29/32	6
1632426207951	2000	166	275	45/40	6
1632426207952	3000	188	310	45/40	6
1632426207956	5000	220	365	45/40	2

ISO
4797





FLASK WITH FLAT BOTTOM

with SJ

The flat bottom provides for stability without supporting ring.

STEHKOLBEN

mit NS

Der flache Boden sorgt für die Stabilität des Kolbens ohne Stützring.

Cat. No. 8003

Catalog No. Katalog-Nr.	Capacity (ml) Kapazität	d (mm)	h (mm)	SJ NS	Packing (pcs) Packung (Stück)
1632426217050	50	51	100	14/23	10
1632426217051	50	51	100	19/26	10
1632426217052	50	51	100	29/32	10
1632426217100	100	64	110	14/23	10
1632426217101	100	64	110	19/26	10
1632426217102	100	64	110	29/32	10
1632426217250	250	85	140	29/32	10
1632426217251	250	85	140	45/40	10
1632426217500	500	105	170	29/32	10
1632426217501	500	105	170	45/40	10
1632426217940	1000	131	200	29/32	10
1632426217941	1000	131	200	45/40	10
1632426217950	2000	166	250	29/32	6
1632426217951	2000	166	250	45/40	6
1632426217954	4000	207	300	45/40	2
1632426217958	6000	236	340	60/46	2
1632426217966	10000	279	400	60/46	1
1632426217968	20000	345	490	60/46	1

NOTES / AUFZEICHNUNGEN

FLASK WITH ROUND BOTTOM

with SJ

The uniform thickness of the wall as well as the round bottom makes this flask suitable for thermal operations. It allows the uniform heating of content. Typical use: distillation, extraction.

RUNDKOLBEN

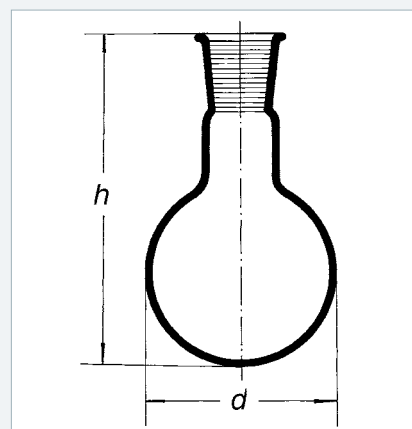
mit NS

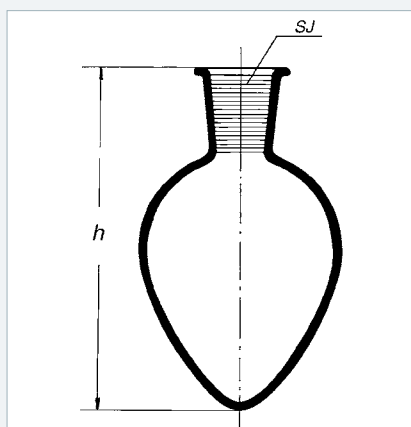
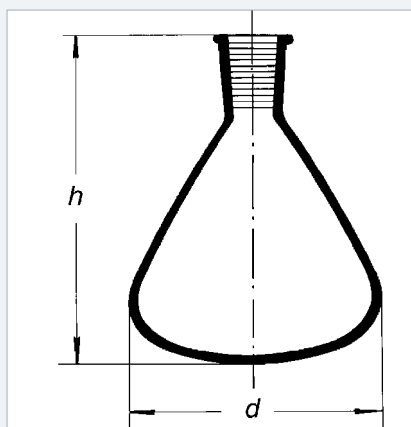
Eine gleichmäßige Wanddicke und der runde Boden sorgen für eine sichere Arbeit bei Wärmeoperationen. Gleichmäßige Erwärmung des Inhalts. Typische Verwendung: Destillation, Extraktion.

Cat. No. 8004

Catalog No. Katalog-Nr.	Capacity (ml) Kapazität	d (mm)	h (mm)	SJ NS	Packing (pcs) Packung (Stück)
1632426219050	50	51	105	14/23	10
1632426219051	50	51	105	19/26	10
1632426219052	50	51	105	29/32	10
1632426219100	100	64	115	14/23	10
1632426219101	100	64	115	19/26	10
1632426219102	100	64	115	29/32	10
1632426219250	250	85	145	29/32	10
1632426219251	250	85	145	45/40	10
1632426219500	500	105	175	29/32	10
1632426219501	500	105	175	45/40	10
1632426219940	1000	131	210	29/32	10
1632426219941	1000	131	210	45/40	10
1632426219950	2000	166	260	29/32	6
1632426219951	2000	166	260	45/40	6
1632426219954	4000	207	315	45/40	2
1632426219958	6000	236	355	60/46	2
1632426219966	10000	279	420	60/46	1

NOTES / AUFZEICHNUNGEN





FLASK MICRO

with round bottom and SJ

MIKRO-KOLBEN

mit NS, rundförmig

Cat. No. 8026

Catalog No. Katalog-Nr.	Capacity (ml) Kapazität	d (mm)	h (mm)	SJ NS	Packing (pcs) Packung (Stück)
1632426371010	10	32	50	14/23	10
1632426371025	25	42	60	14/23	10
1632426371050	50	54	74	14/23	10
1632426371100	100	65	88	14/23	10
1632426371250	250	90	116	14/23	10

FLASK, HEART SHAPED

with SJ

This flask is suitable for reactions using small amounts of reagents.

KOLBEN, HERZFÖRMIG

mit NS

Die Kolbenform ist für die Reaktionen mit einer geringen Menge an Stoffen sehr geeignet.

Cat. No. 8027

Catalog No. Katalog-Nr.	Capacity (ml) Kapazität	h (mm)	SJ NS	Packing (pcs) Packung (Stück)
1632426372010	10	62	14/23	10
1632426372025	25	75	14/23	10
1632426372050	50	88	14/23	10
1632426372100	100	103	14/23	10
1632426372250	250	130	14/23	10

PN
70 4156

FLASK, DROP SHAPED

with SJ

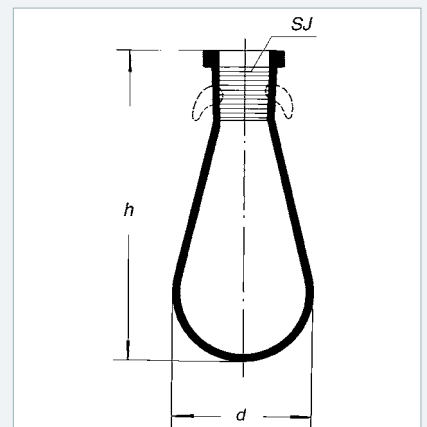
KOLBEN, TROPFENFÖRMIG

mit NS

Cat. No. 8029

Catalog No. Katalog-Nr.	Capacity (ml) Kapazität	d (mm)	h (mm)	SJ NS	Packing (pcs) Packung (Stück)
1632426374010	10	26	60	14/23	60
1632426374025	25	34	80	14/23	10
1632426374050	50	42	100	14/23	10
1632426374100	100	52	123	14/23	35
1632426374250	250	72	170	14/23	7

PN
70 4158



FLASK, DISTILLING

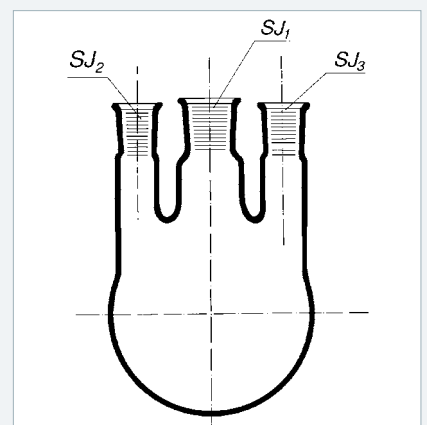
round bottom, two lateral necks

The uniform thickness of the wall as well as the round bottom makes this flask suitable for thermal operations. It allows the uniform heating of content. Other accessories may be connected, (coolers, columns, thermometers) where appropriate. Typical use: distillation, extraction.

DESTILLATIONSKOLBEN

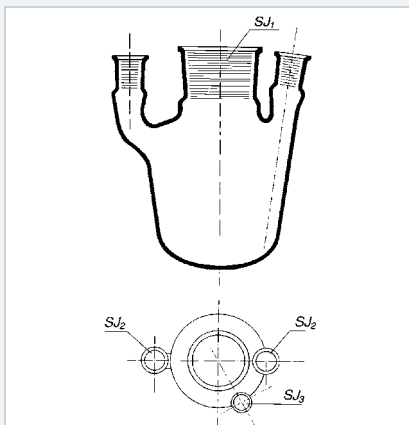
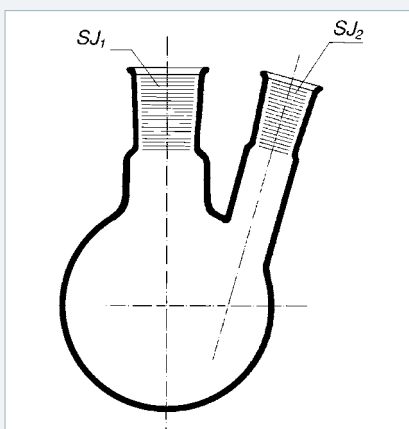
mit rundem Boden und zwei NS -
Seitenhalsen

Eine gleichmäßige Wanddicke und der runde Boden sind für Wärmeoperationen geeignet. Gleichmäßige Erwärmung des Inhalts. Je nach Bedarf kann weiteres Zubehör angeschlossen werden (Kühler, Kolonnen, Thermometer, usw.). Typische Verwendung: Destillation, Extraktion.



Cat. No. 8016

Catalog No. Katalog-Nr.	Capacity (ml) Kapazität	SJ NS	SJ1 NS1	SJ2 NS2	Packing (pcs) Packung (Stück)
1632426222250	250	29/32	14/23	14/23	10
1632426222500	500	29/32	14/23	14/23	10
1632426222940	1000	29/32	14/23	29/32	10
1632426222950	2000	29/32	14/23	29/32	8
1632426222954	4000	45/40	14/23	29/32	3
1632426222958	6000	60/46	14/23	29/32	2



FLASK, DISTILLING

round bottom, one oblique neck

The uniform thickness of the wall as well as the round bottom makes this flask suitable for thermal operations. It allows the uniform heating of content. Other accessories may be connected, (coolers, columns, thermometers) where appropriate.
Typical use: distillation, extraction.

KOLBEN

mit rundem Boden und einem NS – Seitenhals

Eine gleichmäßige Wanddicke und der runde Boden sind für Wärmeoperationen geeignet.
Gleichmäßige Erwärmung des Inhalts. Je nach Bedarf kann weiteres Zubehör angeschlossen werden (Kühler, Kolonnen, Thermometer, usw.).
Typische Verwendung: Destillation, Extraktion.

Cat. No. 8017

Catalog No. Katalog-Nr.	Capacity (ml) Kapazität	h (mm)	SJ NS	Packing (pcs) Packung (Stück)
1632426223250	250	29/32	14/23	10
1632426223500	500	29/32	14/23	10
1632426223940	1000	29/32	14/23	10
1632426223950	2000	29/32	14/23	8
1632426223954	4000	45/40	14/23	3
1632426223958	6000	60/46	14/23	2

FLASK, SULPHONATING

with three necks

SULFONATIONS KOLBEN

mit drei NS – Seitenhalsen

Cat. No. 8022

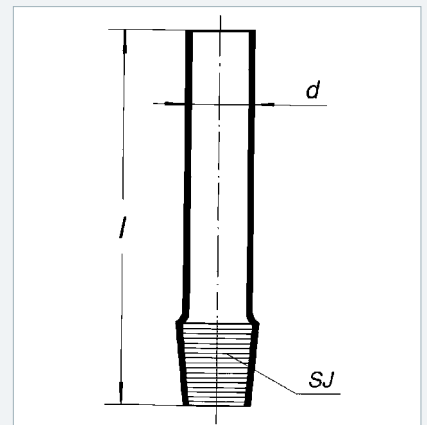
Catalog No. Katalog-Nr.	Capacity (ml) Kapazität	SJ NS	SJ1 NS1	SJ2 NS2	Packing (pcs) Packung (Stück)
1632426707500	500	45/40	14/23	14/23	10
1632426707945	1500	71/51	29/32	14/23	8
1632426707951	2500	71/51	29/32	14/23	6
1632426707954	4000	71/51	29/32	14/23	3
1632426707958	6000	71/51	29/32	14/23	2

PN
70 4052

NZ CONE

NORMSCHLIFF-KERN

Cat. No. 8120				
Catalog No. Katalog-Nr.	SJ NS	d (mm)	l (mm)	Packing (pcs) Packung (Stück)
1632441503010	5/13	5	120	10
1632441503020	7/16	7	120	10
1632441503030	10/19	8	120	10
1632441503040	12/21	11	120	10
1632441503050	14/23	13	120	10
1632441503060	19/26	17	150	10
1632441503070	24/29	22	150	10
1632441503080	29/32	26	150	10
1632441503090	34/35	30	150	10
1632441503100	40/38	36	150	10
1632441503110	45/40	40	150	10
1632441503120	50/42	46	150	10
1632441503130	60/46	56	200	10
1632441503140	71/51	65	200	10
1632441503150	85/55	80	200	10
1632441503160	100/60	90	200	10

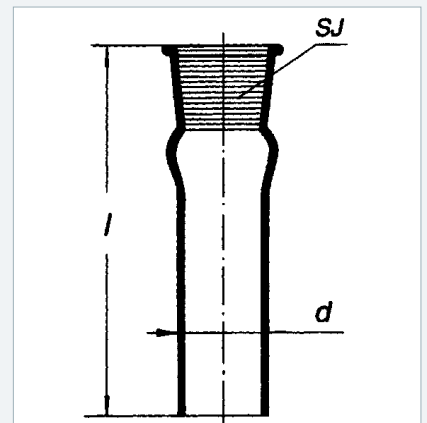


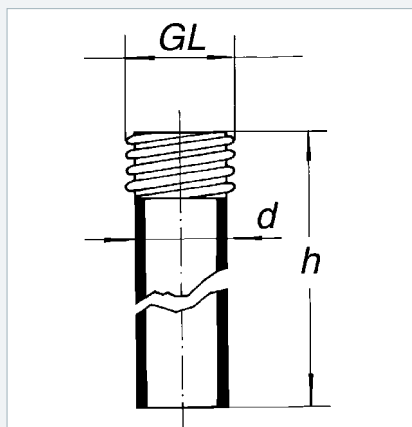
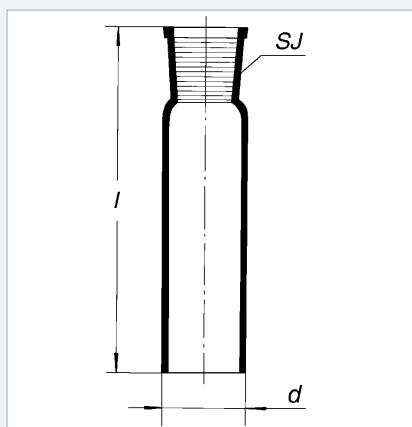
SJ SOCKET

NORMSCHLIFF - HÜLSE

extended

Cat. No. 8121				
Catalog No. Katalog-Nr.	SJ NS	d (mm)	l (mm)	Packing (pcs) Packung (Stück)
1632441504080	29/32	26	150	10





STANDARD JOINT

straight, socket

NORMSCHLIFF – HÜLSE

gerade

Cat. No. 8124

Catalog No. Katalog-Nr.	SJ NS	d (mm)	l (mm)	Packing (pcs) Packung (Stück)
1632441512010	5/13	8	120	10
1632441512020	7/16	10	120	10
1632441512030	10/19	13	120	10
1632441512040	12/21	16	120	10
1632441512050	14/23	18	120	10
1632441512060	19/26	22	150	10
1632441512070	24/29	28	150	10
1632441512080	29/32	34	150	10
1632441512090	34/35	40	150	10
1632441512100	40/38	46	150	10
1632441512110	45/40	50	150	10
1632441512120	50/42	56	150	10
1632441512130	60/46	70	200	10
1632441512140	71/51	80	200	10
1632441512150	85/55	95	200	10
1632441512160	100/60	110	200	10

PN
70 4008

TUBE WITH GL THREAD

GEWINDEVERBIN- DUNGSTÜCK

GL

Cat. No. 746

Catalog No. Katalog-Nr.	d (mm)	h (mm)	GL	Packing (pcs) Packung (Stück)
1632441746200	12	120	14	10
1632441746400	16	120	18	10
1632441746600	22	150	25	10
1632441746800	30	150	32	10
1632441746900	42	150	45	1

PN
70 0036

JOINT

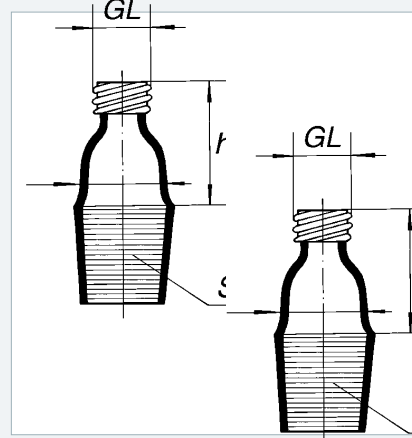
(adapter) NZ-GL

VERBINDUNGSSTÜCK

NS - GL

Cat. No. 830					
Catalog No. Katalog-Nr.	h (mm)	SJ NS	GL	Drawing No. Zeichnungsnr.	Packing (pcs) Packung (Stück)
1632441834232	30	14/23	14	1	10
1632441834452	30	14/23	18	2	10
1632441834233	35	19/26	14	1	10
1632441834453	35	19/26	18	1	10
1632441834234	35	24/29	14	1	10
1632441834454	35	24/29	18	1	10
1632441834674	35	24/29	25	2	10
1632441834235	40	29/32	14	1	10
1632441834455	40	29/32	18	1	10
1632441834675	40	29/32	25	1	10
1632441834895	50	29/32	32	1	10

CSN
70 4205



ADAPTER, REDUCTION

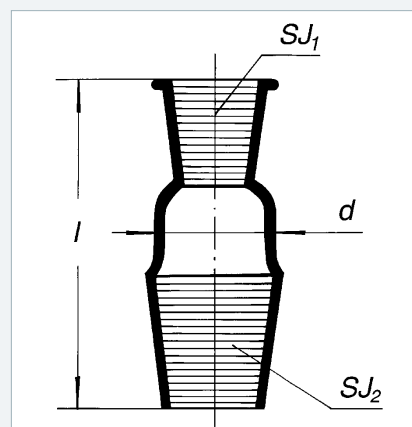
socket/cone

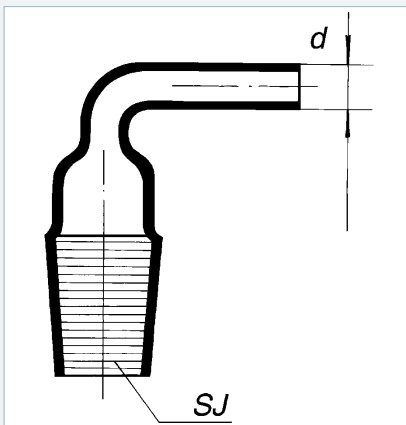
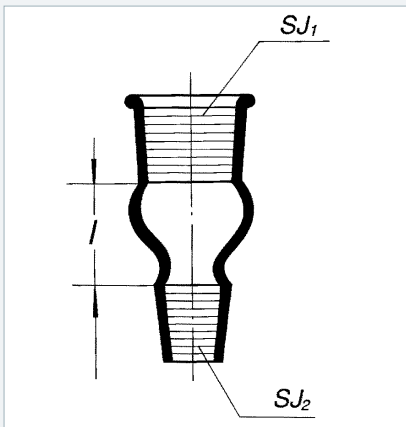
NORMSCHLIFF - ÜBERGANGSSTÜCK

(kleine Hülse auf großem Kern)

Cat. No. 8127					
Catalog No. Katalog-Nr.	SJ NS	SJ1 NS1	d1 (mm)	l (mm)	Packing (pcs) Packung (Stück)
1632441509042	12/21	14/23	13	56	10
1632441509053	14/23	19/26	17	64	10
1632441509054	14/23	24/29	22	67	10
1632441509055	14/23	29/32	26	70	10
1632441509065	19/26	29/32	26	78	10
1632441509075	24/29	29/32	26	81	10
1632441509078	24/29	45/40	40	96	10
1632441509080	29/32	60/46	53	110	10
1632441509088	29/32	45/40	40	98	10
1632441509090	29/32	71/51	60	125	10
1632441509091	45/40	71/51	62	133	10

CSN
70 4205





REDUCTION, INVERTED socket/cone

NS-ÜBERGANGSSTÜCKE (große Hülse auf kleinem Kern)

Cat. No. 8128

Catalog No. Katalog-Nr.	SJ NS	SJ1 NS1	l (mm)	Packing (pcs) Packung (Stück)
1632441510051	14/23	12/21	20	10
1632441510062	19/26	14/23	20	10
1632441510069	19/26	14/23	32	10
1632441510073	24/29	19/26	25	10
1632441510082	29/32	14/23	35	10
1632441510083	29/32	19/26	35	10
1632441510084	29/32	24/29	35	10
1632441510114	45/40	24/29	45	10
1632441510115	45/40	29/32	45	10

CSN
70 4205

ADAPTER, WITH BENDED TUBE

ÜBERGANGSSTÜCKE mit NS-Kern, mit gebogenem Röhrchen

SJ cone

Cat. No. 8133

Catalog No. Katalog-Nr.	SJ NS	d (mm)	Packing (pcs) Packung (Stück)
1632441502050	14/23	8	5
1632441502060	19/26	8	5
1632441502070	24/29	8	10
1632441502080	29/32	8	10
1632441502110	45/40	12	10

CSN
70 4205

ADAPTER WITH STOPCOCK

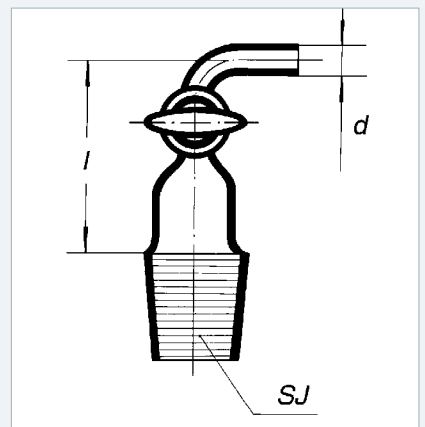
and bended tube, with SJ

ÜBERGANGSSTÜCKE

mit NS-Kern, Hahn, mit gebogenem Röhrcchen

Cat. No. 8134

Catalog No. Katalog-Nr.	SJ NS	Key No. Schlüsselnr.	d (mm)	l (mm)	Packing (pcs) Packung (Stück)
1632441513050	14/23	2	7	42	10
1632441513060	19/26	2	7	45	10
1632441513070	24/29	2	7	50	10
1632441513080	29/32	2	7	60	10



BEND RECOVERY, ANGLE 75°

two SJ cones

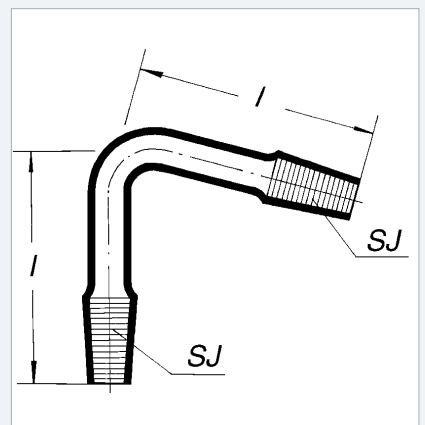
VERBINDUNGSTÜCK IM WINKEL VON 75°

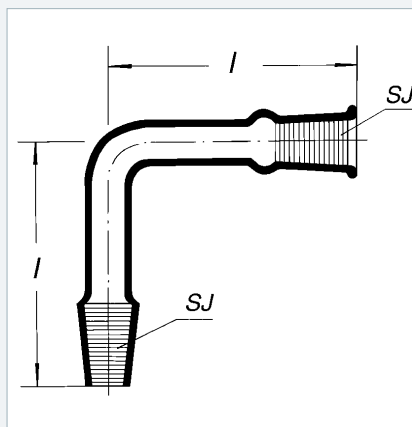
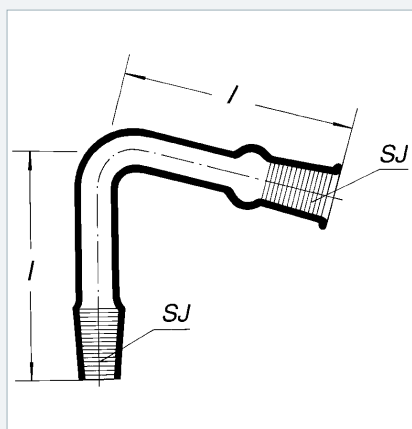
mit zwei Normschliffkernen

Cat. No. 8138 JJ

Catalog No. Katalog-Nr.	SJ NS	l (mm)	Packing (pcs) Packung (Stück)
1632441516050	14/23	67	10
1632441516080	29/32	87	10

CSN
70 4205





BEND RECOVERY, ANGLE 75°

cone/socket

VERBINDUNGSSTÜCK IM WINKEL VON 75°

mit Normschliffkern und
Normschliffhülse

Cat. No. 8138 JP

Catalog No. Katalog-Nr.	SJ NS	l (mm)	Packing (pcs) Packung (Stück)
1632441517050	14/23	67	10
1632441517080	29/32	82	10

CSN
70 4205

BEND RECOVERY, ANGLE 90°

cone/socket

VERBINDUNGSSTÜCK IM WINKEL VON 90°

mit Normschliffkern und
Normschliffhülse

Cat. No. 8139

Catalog No. Katalog-Nr.	SJ NS	l (mm)	Packing (pcs) Packung (Stück)
1632441518050	14/23	65	10
1632441518080	29/32	95	10

CSN
70 4205

SPLASH HEAD VERTICAL TROPFENFÄNGER

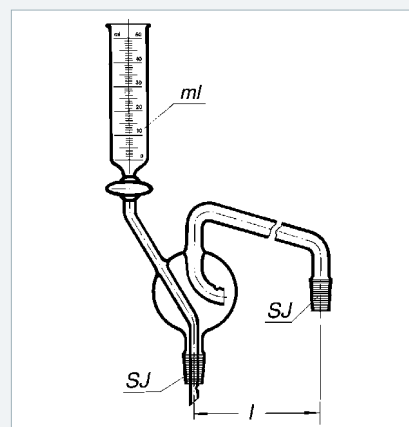
with separatory dropping funnel

mit Brücke und graduiertem
Tropfentrichter

Cat. No. 8146

Catalog No. Katalog-Nr.	Capacity (ml) Kapazität	SJ NS	l (mm)	Packing (pcs) Packung (Stück)
1632441521050	50	14/23	200	1
1632441521080	50	29/32	200	1

CSN
70 4205



ADAPTER DISTILLING

with drop catcher, with SJ distilling head

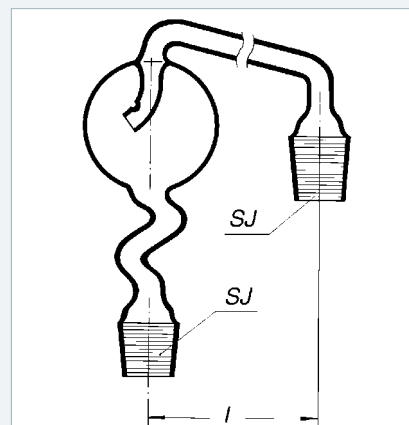
DESTILLIER- TROPFENFÄNGER

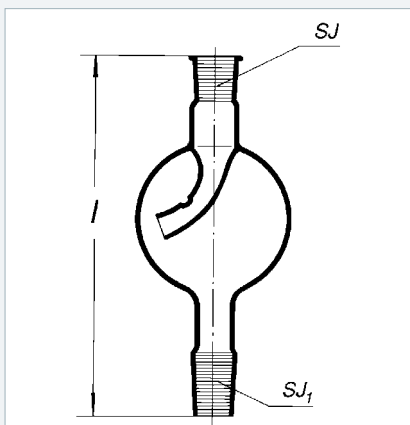
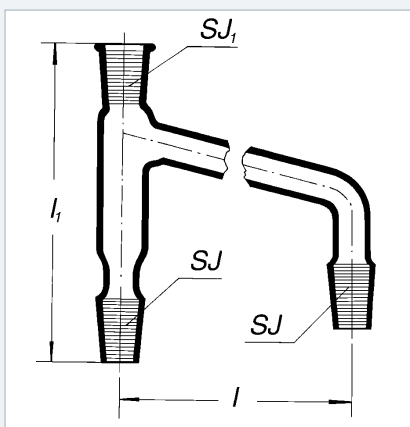
mit NS

Cat. No. 8147

Catalog No. Katalog-Nr.	SJ NS	l (mm)	Packing (pcs) Packung (Stück)
1632441522050	14/23	200	1
1632441522080	29/32	200	1

CSN
70 4205





STILLHEAD WITH SJ 14/23

for thermometer

DESTILLIERBRÜCKE

mit Thermometerhülse NS 14/23

Cat. No. 8148

Catalog No. Katalog-Nr.	SJ NS	SJ1 NS1	l (mm)	l1 (mm)	Packing (pcs) Packung (Stück)
1632441533050	14/23	14/23	300	113	1
1632441533080	29/32	14/23	300	132	1

CSN
70 4205

SPLASH HEAD

TROPFENFÄNGER

Cat. No. 8153

Catalog No. Katalog-Nr.	SJ NS	SJ1 NS1	l (mm)	Packing (pcs) Packung (Stück)
1632441536050	14/23	14/23	130	10
1632441536080	29/32	29/32	170	10

CSN
70 4205

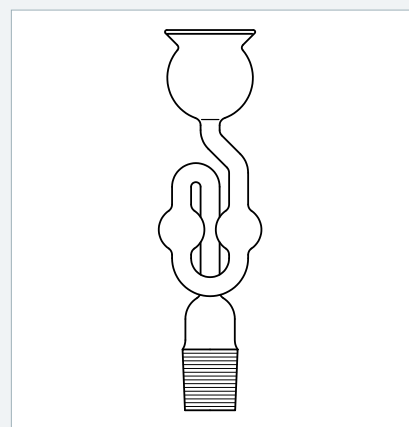
SECURITY FUNNEL

SJ 29/32

SICHERUNGSTRICHTER

NS 29/32

Cat. No. 8156			
Catalog No. Katalog-Nr.	SJ NS	l (mm)	Packing (pcs) Packung (Stück)
1632443813080	200	29/32	1



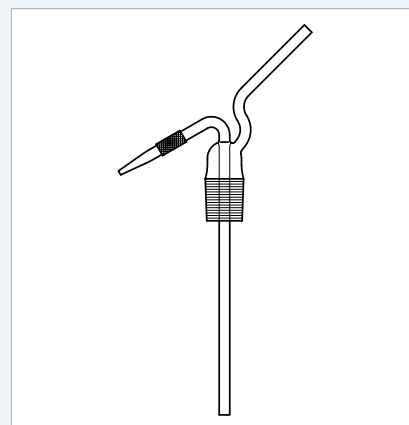
ADAPTER TO RINSE

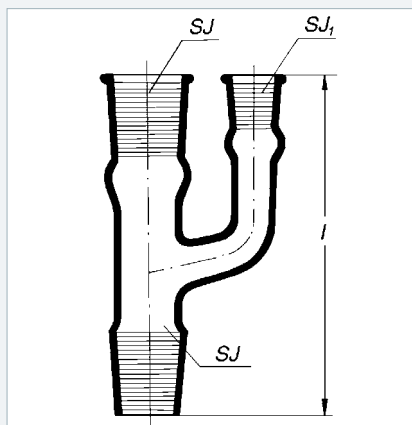
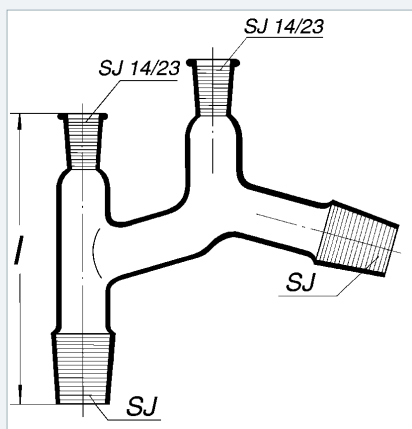
SJ 29/32 with rubber joint

SPRITZROHRAUFSATZ

NS 29/32 mit Gummiverbindung

Cat. No. 8165			
Catalog No. Katalog-Nr.	SJ NS	l (mm)	Packing (pcs) Packung (Stück)
1632441659080	29/32	180	1





DISTILLATION HEAD

acc. Claisen, with SJ

CLAISEN- DESTILLIERAUFsätze

mit NS

Cat. No. 8173

Catalog No. Katalog-Nr.	SJ NS	l (mm)	Packing (pcs) Packung (Stück)
1632441662050	14/23	113	1
1632441662080	29/32	132	10

CSN
70 4205

ADAPTER MULTIPLE

with two necks parallel

DESTILLIERAUFsatz

mit senkrechter Abzweigung

Cat. No. 8232

Catalog No. Katalog-Nr.	SJ NS	SJ1 NS1	l (mm)	Packing (pcs) Packung (Stück)
1632441640110	45/40	29/32	200	1

CSN
70 4205

ADAPTER MULTIPLE

with two necks parallel

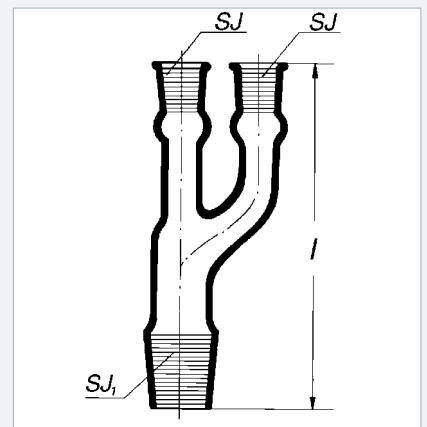
DESTILLIERAUFSATZ

mit senkrechter Abzweigung

Cat. No. 8233

Catalog No. Katalog-Nr.	SJ NS	SJ1 NS1	l (mm)	Packing (pcs) Packung (Stück)
1632441641000	29/32	45/40	225	1

CSN
70 4205



STOPCOCK, STRAIGHT BORE, COMPLETE

with glass key

EINWEGHAHN KOMPLETT

mit Glashammer

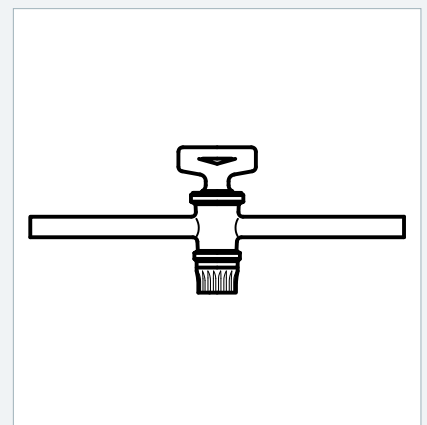
Cat. No. 7143

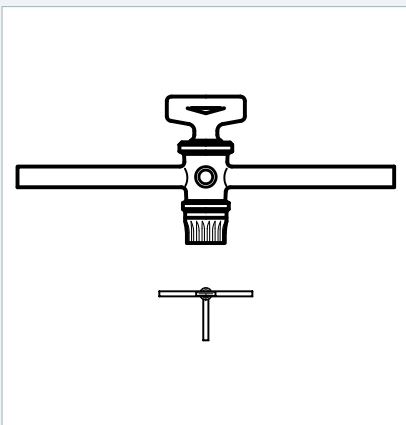
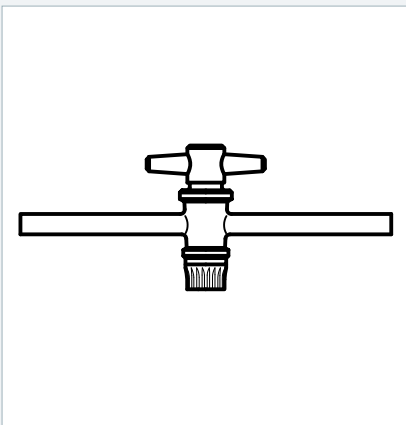
Catalog No. Katalog-Nr.	Size Größe	Boring (mm) Bohrung (mm)	„side arm“ Seitenarm	Packing (pcs) Packung (Stück)
N555441355232	NZ 12,5	2.0	8/1,5	1
N555441355233	NZ 12,5	2.0	kap. 7/2,5	1
N555441355270	NZ 14,5	2.5	9/1,5	1
N555441330000	NZ 18,8	4.0	10/1,5	1
1632441340060	Z 21,5 *	6.0	13/1,5	1
1632441340080	Z 24,0 *	8.0	15/1,8	1
1632441340100	Z 29,2 *	10.0	18/1,8	1

* Not grinding of NZ

*Schliff ist nicht NS

DIN
12 541





STOPCOCK, STRAIGHT BORE, COMPLETE

with PTFE key

EINWEGHAHN KOMPLETT

mit PTFE-Hammer

Cat. No. 7143T

Catalog No. Katalog-Nr.	Size Größe	Boring (mm) Bohrung (mm)	„side arm“ Seitenarm	Packing (pcs) Packung (Stück)
N555441355218	NZ 12,5	2.0	8/1,5	1
N555441355219	NZ 12,5	2.0	kap. 7/2,5	1
N555441355280	NZ 14,5	2.5	9/1,5	1
N555441330100	NZ 18,8	4.0	10/1,5	1
1632441358061	NZ 21,5	6.0	13/1,5	1

DIN
12 541

STOPCOCK, T- BORE, COMPLETE

with glass key, T-bore

DREIWEGHAHN KOMPLETT

mit Glashammer, T-Bohrung

Cat. No. 7150L

Catalog No. Katalog-Nr.	Size Größe	Boring (mm) Bohrung (mm)	„side arm“ Seitenarm	Packing (pcs) Packung (Stück)
1632441345020	Z 18,8 *	2.5	9/1,5	1
1632441345040	Z 21,5 *	4.0	10/1,5	1
1632441345060	Z 24,0 *	6.0	13/1,5	1

* Not grinding of NZ

*Schliff ist nicht NS

DIN
12 554

STOPCOCK, V- BORE, COMPLETE

with glass key, V-bore

DREIWEGHAHN KOMPLETT

mit Glashammer, V-Bohrung

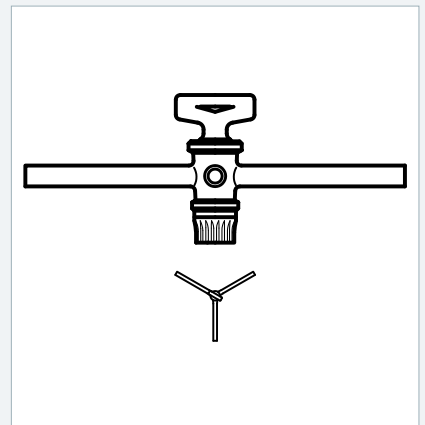
Cat. No. 7150 V

Catalog No. Katalog-Nr.	Size Größe	Boring (mm) Bohrung (mm)	„side arm“ Seitenarm	Packing (pcs) Packung (Stück)
1632441347020	Z 18,8 *	2.5	9/1,5	1
1632441347040	Z 21,5 *	4.0	10/1,5	1
1632441347060	Z 24,0 *	6.0	13/1,5	1

* Not grinding of NZ

*Schliff ist nicht NS

DIN
12 554



STOPCOCK, T- BORE, COMPLETE

with glass key, T-bore

DREIWEGHAHN KOMPLETT

mit Glashammer, V-Bohrung

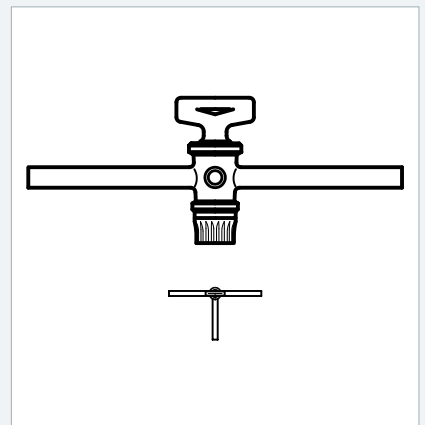
Cat. No. 7150 T

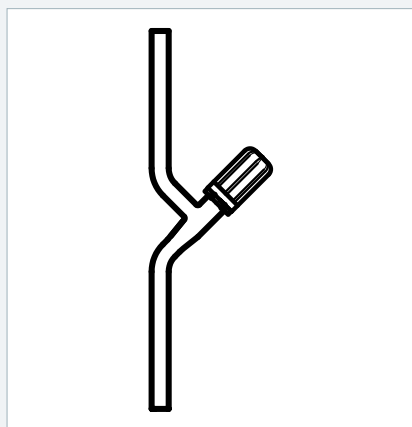
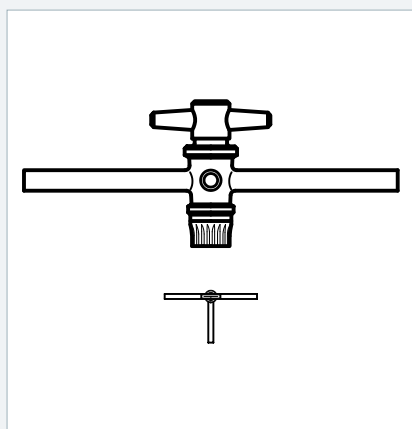
Catalog No. Katalog-Nr.	Size Größe	Boring (mm) Bohrung (mm)	„side arm“ Seitenarm	Packing (pcs) Packung (Stück)
1632441349020	Z 18,8 *	2.5	9/1,5	1
1632441349040	Z 21,5 *	4.0	10/1,5	1
1632441349060	Z 24,0 *	6.0	13/1,5	1

* Not grinding of NZ

*Schliff ist nicht NS

DIN
12 554





STOPCOCK, T- BORE, COMPLETE

with PTFE key, T-bore

DREIWEGHAHN KOMPLETT

mit PTFE-Hammer, T-Bohrung

Cat. No. 7150 T/T

Catalog No. Katalog-Nr.	Size Größe	Boring (mm) Bohrung (mm)	„side arm“ Seitenarm	Packing (pcs) Packung (Stück)
1632441357150	NZ 14,5	2,5	8/1,5	1
1632441357250	NZ 18,8	4,0	9/1,5	1

DIN
12 554

STOPCOCK, STRAIGHT

with PTFE cone

VENTIL DIREKT

mit PTFE-Kegel

Cat. No. 7140

Catalog No. Katalog-Nr.	Hole diameter (mm) Lochdurchmesser (mm)	„side arm“ Seitenarm	Packing (pcs) Packung (Stück)
9180003204	0-3	10/1,5	1

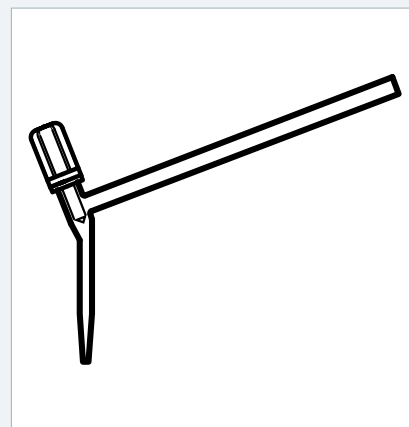
STOPCOCK, BURETTE

with PTFE cone

BÜRETTEVENTIL

mit PTFE-Kegel

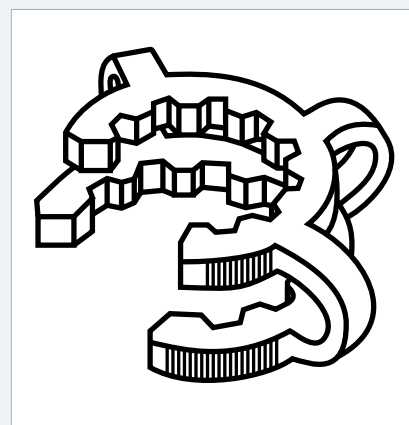
Catalog No. Katalog-Nr.	Hole diameter (mm) Lochdurchmesser (mm)	„side arm“ Seitenarm	Packing (pcs) Packung (Stück)
N555442635022	0-2,5	8/výtok	1

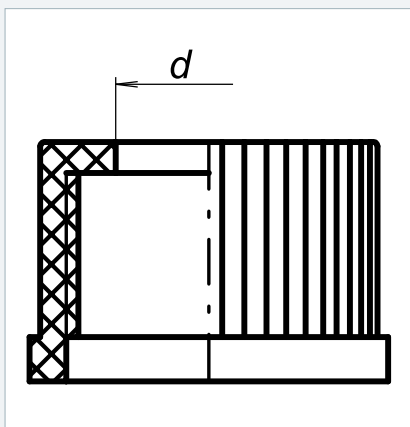
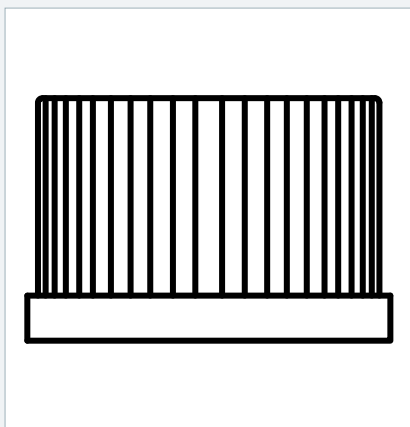


CLAMPS FOR SJ

KLEMMEN FÜR NS

Catalog No. Katalog-Nr.	Size Größe	Color Farbe	Packing (pcs) Packung (Stück)
9180003223	12.5	violet	10
9180003224	14.5	yellow	10
9180003225	18.8	blue	10
9180003226	24	green	10
9180003227	29.2	red	10
9180003228	34.5	orange	10
9180003229	45	brown	10





SCREW CAP

SCHRAUBVERSCHLUSS - KAPPE

Cat. No. 948			
Catalog No. Katalog-Nr.	GL	Packing (pcs) Packung (Stück)	
9180000829	14	1	
9180001201	18	1	
9180001202	25	1	
9180003452	32	1	

SLEEVE NUT

ÜBERWURFMUTTER

Cat. No. 754			
Catalog No. Katalog-Nr.	GL	d (mm)	Packing (pcs) Packung (Stück)
9180000378	14	9.5	1
9180000045	18	11.5	1
9180001256	25	16	1
9180001199	32	21	1

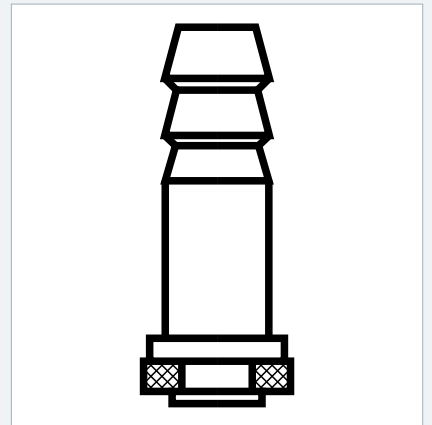
**HOSE CONNECTION,
STRAIGHT**

with seal

OLIVE GERADE

mit Dichtung

Catalog No. Katalog-Nr.	GL	Packing (pcs) Packung (Stück)
9180003230	14	1



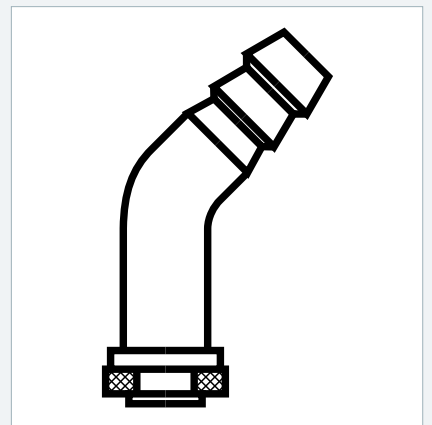
**HOSE CONNECTION
BENT (45°)**

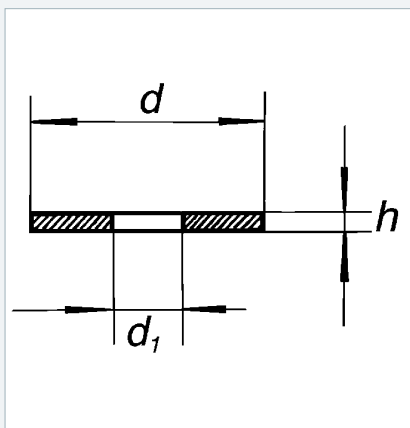
with seal

OLIVE GEBOGEN (45°)

mit Dichtung

Catalog No. Katalog-Nr.	GL	Packing (pcs) Packung (Stück)
9180003264	14	1





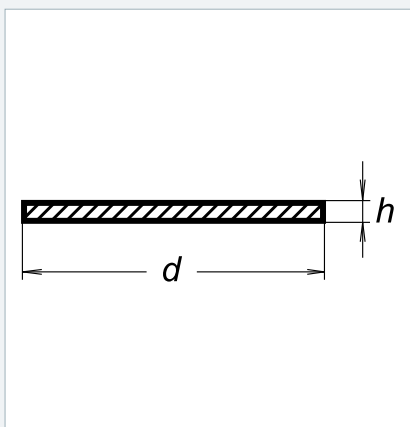
PTFE PROTECTION FILM

with hole

SCHUTZFOLIE PTFE

mit Öffnung

Cat. No. 832					
Catalog No. Katalog-Nr.	Marking Markierung	d (mm)	d1 (mm)	h (mm)	Packing (pcs) Packung (Stück)
9180003231	14-5	13	4	0.2	1
9180003232	14-7	13	6	0.2	1
9180003233	18-7	17	6	0.2	1
9180003234	18-10	17	8	0.2	1
9180002252	25-10	24	8	0.2	1
9180003235	25-15	24	12	0.2	1
9180003236	32-15	30	12	0.2	1
9180003237	32-20	30	17	0.2	1



PTFE PROTECTION FILMS

without hole

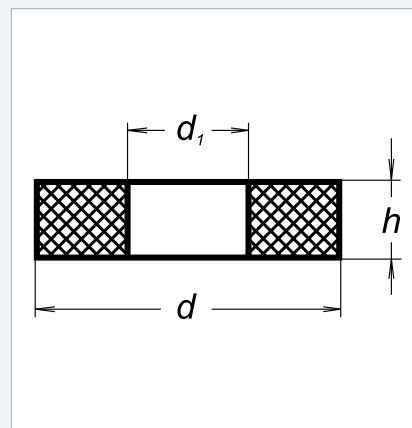
SCHUTZFOLIE PTFE

ohne Öffnung

Cat. No. 831				
Catalog No. Katalog-Nr.	Marking Markierung	d (mm)	h (mm)	Packing (pcs) Packung (Stück)
9180003244	14	13	0.2	1
9180003245	18	17	0.2	1
9180003246	25	24	0.2	1
9180003247	32	30	0.2	1

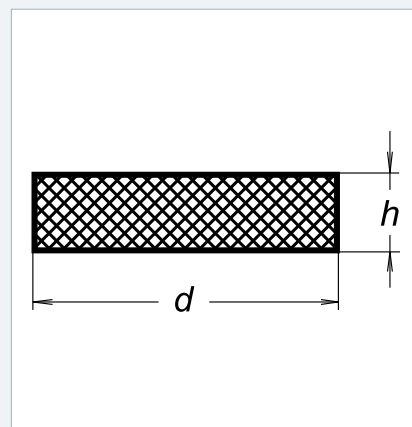
SEALING RING, SILICONE **SILIKONDICHTUNGSRING**
with hole mit Öffnung

Cat. No. 833					
Catalog No. Katalog-Nr.	Marking Markierung	d (mm)	d1 (mm)	h (mm)	Packing (pcs) Packung (Stück)
9180003238	14-5	12	5	5	1
9180001465	14-7	12	7	5	1
9180003239	18-7	16	7	5	1
9180002246	18-10	16	10	5	1
9180003240	25-10	23	10	5	1
9180003241	25-15	23	15	5	1
9180003242	32-15	30	15	6	1
9180003243	32-20	30	20	6	1



SEALING RING, SILICONE **SILIKONDICHTUNGSRING**
without hole ohne Öffnung

Cat. No. 834				
Catalog No. Katalog-Nr.	Marking Markierung	d (mm)	h (mm)	Packing (pcs) Packung (Stück)
9180003248	14	12	1	1
9180003249	14	12	5	1
9180003250	18	16	1	1
9180003251	18	16	5	1
9180003252	25	23	1.5	1
9180003253	25	23	5	1
9180003254	32	30	1.5	1
9180003255	32	30	6	1







LAB APPARATUS

LABORGERÄTE

GLASS APPARATUS AND ACCESSORIES

Made of the SIMAX borosilicate glass. Regarding shape and technology, it concerns more complex products.

Condensers (various types and designs), distillation columns, water-jet pumps) and manometers are used in plants. Other facilities (as mentioned in this chapter) present the independently operable devices. Due to safety reasons, it is absolutely necessary to perform inspection of integrity (fissures, scratches, chipped edges) before use.

LABORGERÄTE AUS GLAS UND ZUBEHÖR

Die Laborgeräte sind aus Borosilikatglas SIMAX hergestellt. Es handelt sich um Produkte mit einer komplexeren Form sowie Technologie.

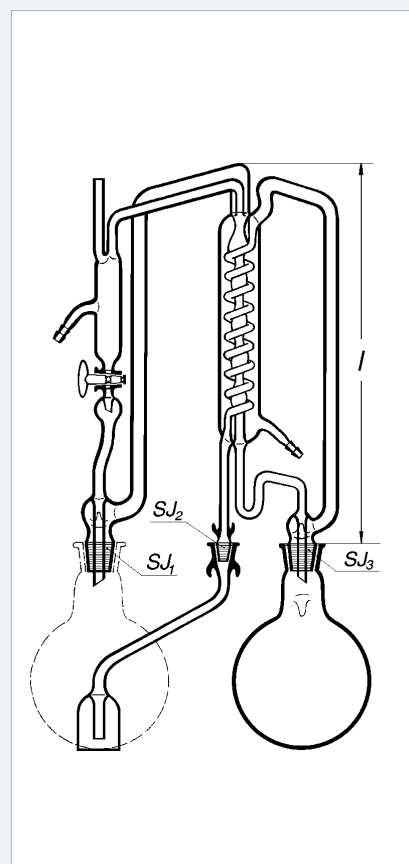
Kühler unterschiedlicher Typen und Ausführungen, Destillierkolonnen, Wasserstrahlpumpen und Manometer werden in den Apparaturen verwendet. Weitere Geräte in diesem Kapitel sind einzeln verwendbare Einrichtungen. Vor der Verwendung müssen sie auf ihre Integrität (Risse, Rillen, ausgebrochene Ränder) geprüft werden.

CONDENSER FOR WATER REDESTILLING

APPARAT FÜR WASSER- REDESTILLATION

Cat. No. 8364

Catalog No. Katalog-Nr.	Capacity (ml) Kapazität (ml)	SJ (mm) NS (mm)	SJ1 (mm) NS1 (mm)	l (mm)	Packing (pcs) Packung (Stück)
1632441612950	2000	29/32	14/23	500	1



CONDENSER, LIEBIG

without SJ

Lower efficiency condenser.

Typical use: downward condenser

LIEBIG-KÜHLER

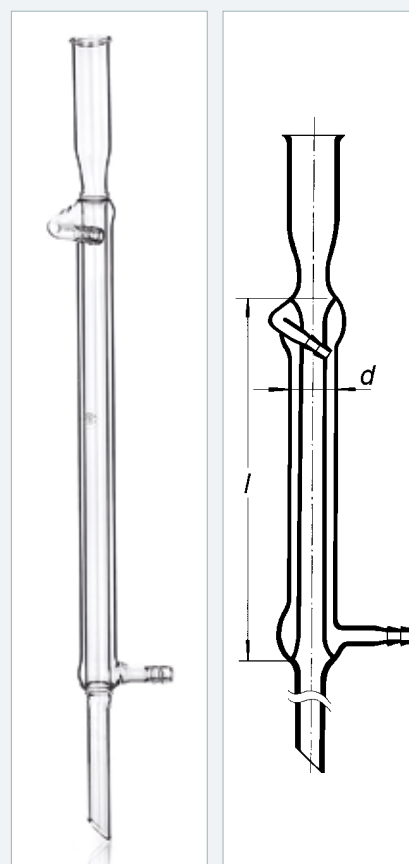
ohne Schliff

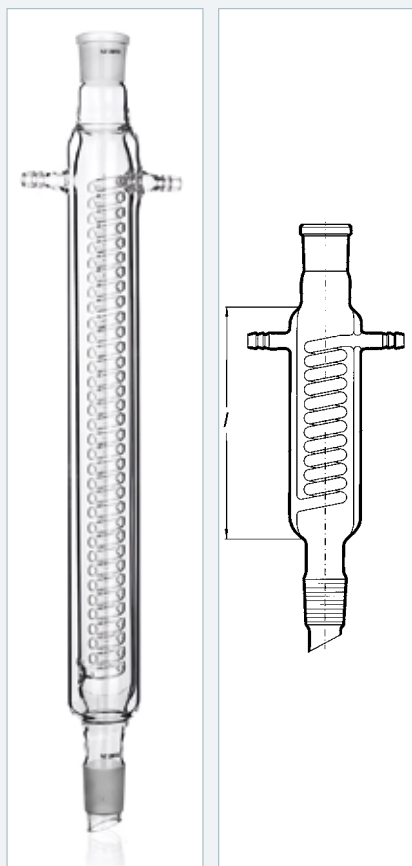
Kühler mit niedrigerer Wirksamkeit.

Typische Verwendung: absteigender
Kühler

Cat. No. 7110

Catalog No. Katalog-Nr.	l (mm)	d (mm)	Packing (pcs) Packung (Stück)
1632442505200	200	24	1
1632442505300	300	24	1
1632442505400	400	24	1
1632442505500	500	24	1
1632442505700	700	32	1





CONDENSER

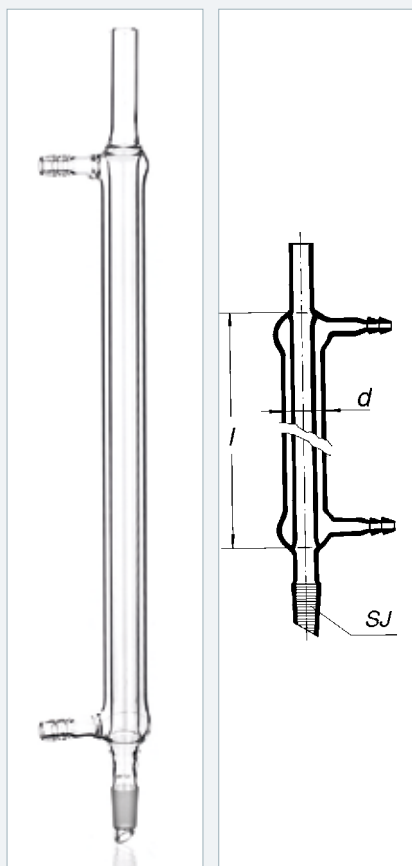
with two SJ

KÜHLER

mit zwei NS

Cat. No. 8249

Catalog No. Katalog-Nr.	SJ NS	l (mm)	No. of coils Anzahl der Spiralen	Packing (pcs) Packung (Stück)
1632442498176	29/32	160	11	1
1632442498266	29/32	250	20	1
1632442498416	29/32	400	35	1



CONDENSER, LIEBIG

with SJ cone

Lower efficiency condenser.
Typical use: downward condenser

LIEBIG-KÜHLER

mit NS-Kern

Kühler mit niedrigerer Wirksamkeit.
Typische Verwendung: absteigender
Kühler

Cat. No. 8251

Catalog No. Katalog-Nr.	SJ NS	l (mm)	d (mm)	Packing (pcs) Packung (Stück)
1632442506202	14/23	200	24	1
1632442506205	29/32	200	24	1
1632442506302	14/23	300	24	1
1632442506305	29/32	300	24	1
1632442506402	14/23	400	24	1
1632442506405	29/32	400	24	1
1632442506705	29/32	700	32	1
1632442506995	29/32	1000	32	1

CONDENSER, LIEBIG

with two SJ

Lower efficiency condenser.
Typical use: downward condenser

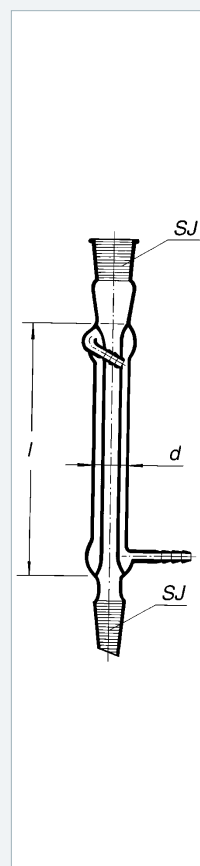
LIEBIG-KÜHLER

mit zwei NS

Kühler mit niedrigerer Wirksamkeit.
Typische Verwendung: absteigender
Kühler

Cat. No. 8252				
Catalog No. Katalog-Nr.	SJ NS	l (mm)	d (mm)	Packing (pcs) Packung (Stück)
1632442507173	14/23	160	20	1
1632442507176	29/32	160	24	1
1632442507202	14/23	200	24	1
1632442507263	14/23	250	20	1
1632442507402	14/23	400	24	1
1632442507416	29/32	400	24	1
1632442507205	29/32	200	24	1
1632442507305	29/32	300	24	1
1632442507405	29/32	400	24	1
1632442507705	29/32	700	32	1

CSN
70 4200



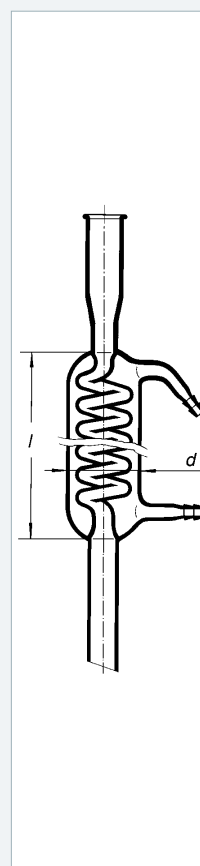
CONDENSER, COIL

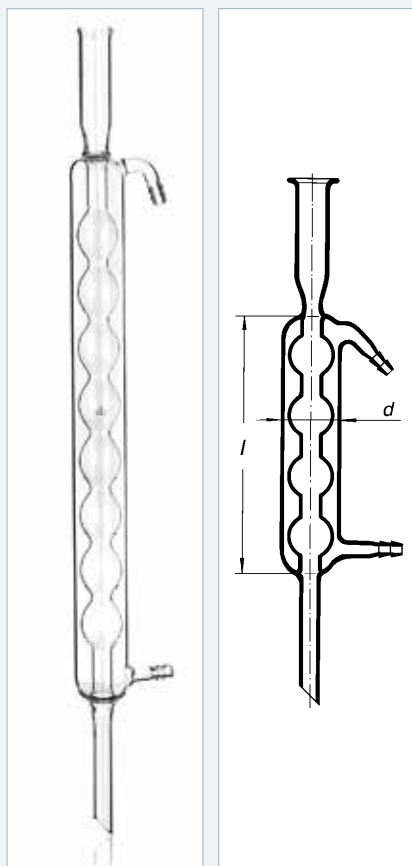
without SJ

Cat. No. 7112				
Catalog No. Katalog-Nr.	l (mm)	d (mm)	Number of coils Anzahl der Windungen	Packing (pcs) Packung (Stück)
1632442515200	200	40	9	1
1632442515300	300	40	15	1
1632442515400	400	40	22	1
1632442515500	500	40	28	1
1632442515600	600	40	35	1

SCHLANGENKÜHLER

ohne Schliff





CONDENSER ALLIHN

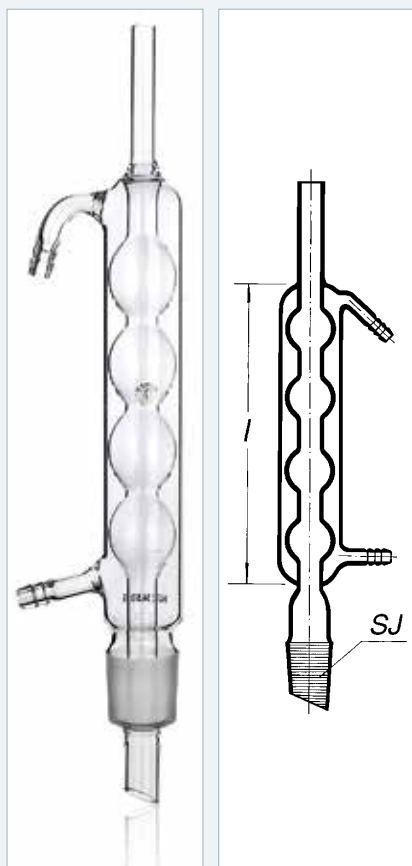
acc. Allihn, without SJ

KUGELKÜHLER

Allihn-Kühler, ohne Schliff

Cat. No. 7114

Catalog No. Katalog-Nr.	l (mm)	d (mm)	Number of coils Anzahl der Windungen	Packing (pcs) Packung (Stück)
1632442511200	200	40	4	1
1632442511300	300	40	6	1
1632442511400	400	40	8	1
1632442511600	600	40	12	1
1632442511800	800	40	16	1



CONDENSER ALLIHN

acc. Allihn, with SJ cone

KUGELKÜHLER

Allihn-Kühler mit NS-Kern

Cat. No. 8256

Catalog No. Katalog-Nr.	SJ NS	l (mm)	Number of coils Anzahl der Windungen	Packing (pcs) Packung (Stück)
1632442512202	14/23	200	4	1
1632442512205	29/32	200	4	1
1632442512302	14/23	300	6	1
1632442512305	29/32	300	6	1
1632442512402	14/23	400	8	1
1632442512405	29/32	400	8	1
1632442512605	29/32	600	13	1

CONDENSER ALLIHN

acc. Allihn, with two SJ

Higher efficiency at the same length.
Typical use: backward condenser

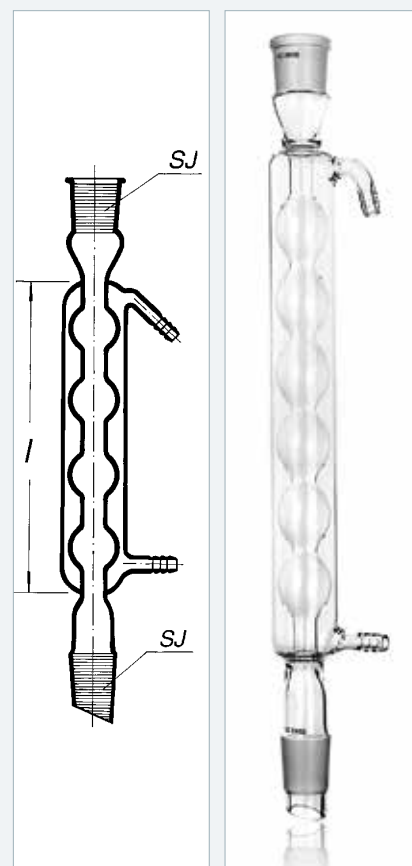
Cat. No. 8257			
Catalog No. Katalog-Nr.	SJ NS	l (mm)	Packing (pcs) Packung (Stück)
1632442513173	14/23	160	1
1632442513176	29/32	160	1
1632442513202	14/23	200	1
1632442513205	29/32	200	1
1632442513263	14/23	250	1
1632442513266	29/32	250	1
1632442513302	14/23	300	1
1632442513305	29/32	300	1
1632442513402	14/23	400	1
1632442513416	29/32	400	1
1632442513605	29/32	600	1

CSN
70 4200

KUGELKÜHLER

Allihn-Kühler mit zwei NS

Kühler mit höherer Wirksamkeit bei gleicher Länge.
Typische Verwendung: Rückflußkühler



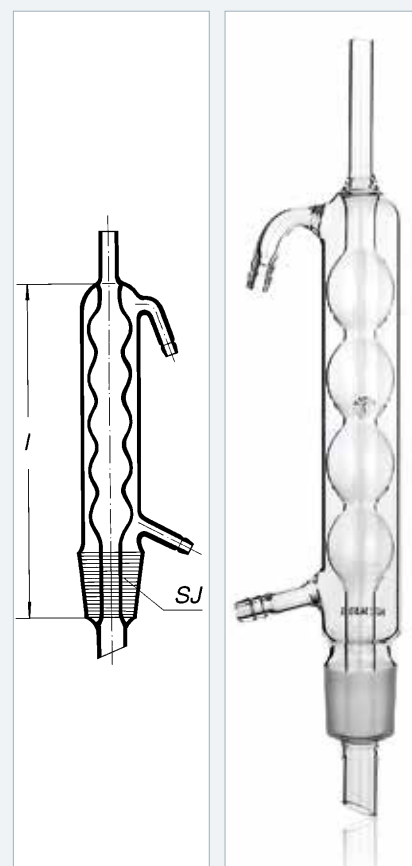
CONDENSER ALLIHN

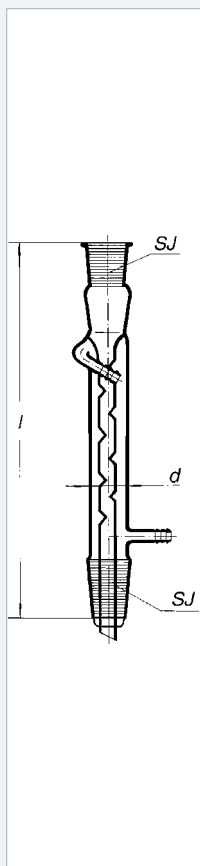
for extractors

Cat. No. 8281					
Catalog No. Katalog-Nr.	Capacity (ml) Kapazität (ml)	l (mm)	Number of balls Anzahl der Kugeln	SJ NS	Packing (pcs) Packung (Stück)
1632442531030	30	200	4	29/32	1
1632442531070	70	250	4	34/35	1
1632442531100	100	300	5	45/40	1
1632442531200	200	300	5	55/50	1
1632442531500	500	400	7	60/46	1
1632442531940	1000	400	7	71/51	1

KUGELKÜHLER

für Extraktor





CONDENSER, WEST

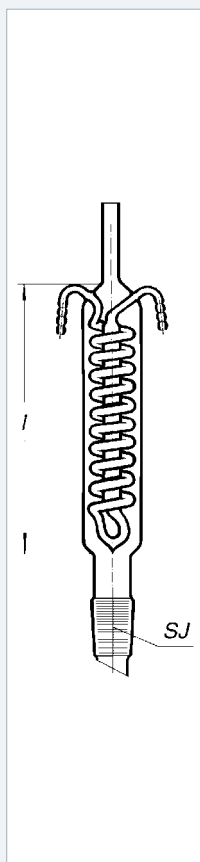
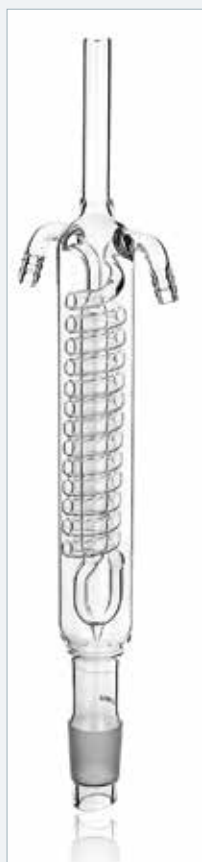
with two SJ

WEST-KÜHLER

mit zwei NS

Cat. No. 8253

Catalog No. Katalog-Nr.	SJ NS	l (mm)	d (mm)	No. of deepens Anzahl der Vertiefungen	Packing (pcs) Packung (Stück)
1632442508205	29/32	200	24	8	1
1632442508305	29/32	300	24	13	1
1632442508405	29/32	400	24	18	1
1632442508705	29/32	700	24	33	1
1632442508995	29/32	1000	24	48	1



CONDENSER, COIL

acc. Dimroth, with SJ cone

Big cooling area and great efficiency.
Typical use: condensation of water va-
pour and low-boiling solvents, extrac-
tion.

SCHLANGENKÜHLER

nach Dimroth mit NS-Kern

Der Kühler hat eine große Kühlfläche
und hohe Wirksamkeit.
Typische Verwendung: Kondensierung
von Wasserdämpfen und niedrigsieden
Lösungsmitteln, für Extraktion

Cat. No. 8260

Catalog No. Katalog-Nr.	SJ NS	l (mm)	Number of balls Anzahl der Kugeln	Packing (pcs) Packung (Stück)
1632442516202	14/23	200	11	1
1632442516205	29/32	200	11	1
1632442516302	14/23	300	18	1
1632442516305	29/32	300	18	1
1632442516405	29/32	400	26	1
1632442516605	29/32	600	40	1

CONDENSER, COIL

acc. Dimroth, with two SJ

Large cooling area and great efficiency. Typical use: condensation of water vapour and low-boiling solvents, extraction.

SCHLANGENKÜHLER

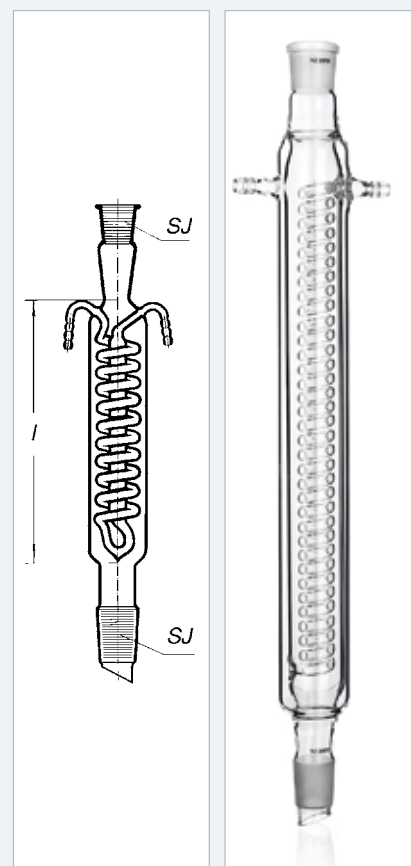
nach Dimroth mit zwei NS

Der Kühler hat eine große Kühlfläche und hohe Wirksamkeit. Typische Verwendung: Kondensierung von Wasserdämpfen und niedrigsiedenden Lösungsmitteln, für Extraktion

Cat. No. 8261

Catalog No. Katalog-Nr.	SJ NS	l (mm)	Packing (pcs) Packung (Stück)
1632442517173	14/23	160	1
1632442517176	29/32	160	1
1632442517202	14/23	200	1
1632442517205	29/32	200	1
1632442517263	14/23	250	1
1632442517266	29/32	250	1
1632442517302	14/23	300	1
1632442517305	29/32	300	1
1632442517416	29/32	400	1
1632442517605	29/32	600	1

CSN
70 4200



CONDENSER, COIL

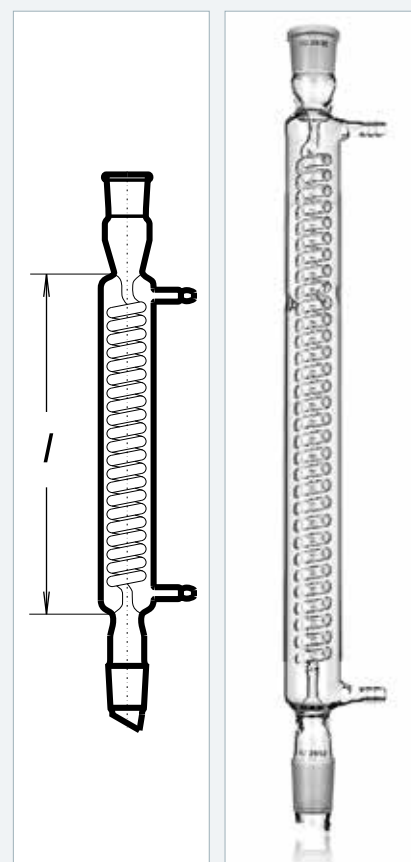
with two SJ

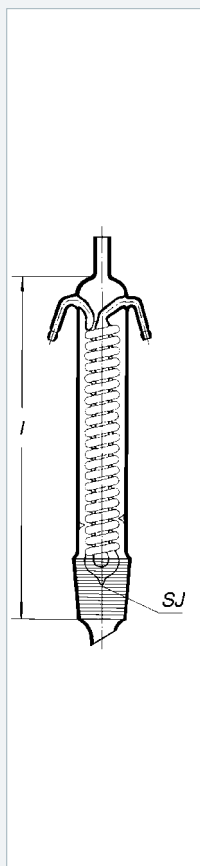
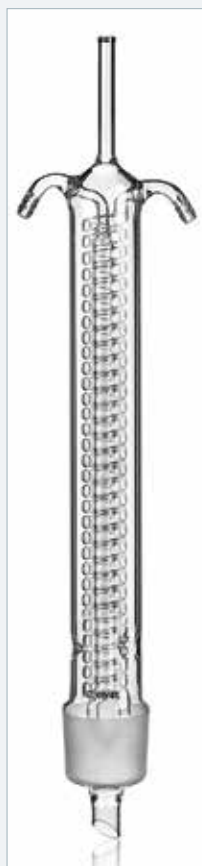
SCHLANGENKÜHLER

mit zwei NS

Cat. No. 8269

Catalog No. Katalog-Nr.	SJ NS	l (mm)	Number of coils Anzahl der Spiralen	Packing (pcs) Packung (Stück)
1632442540416	29/32	400	35	1





CONDENSER, DIMROTH

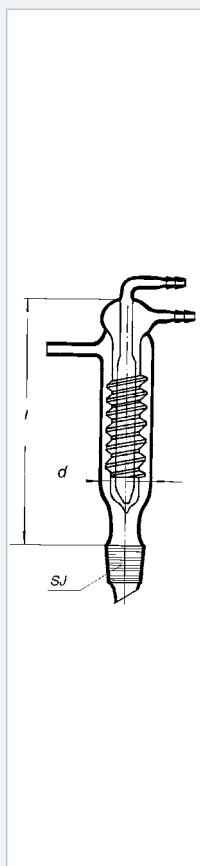
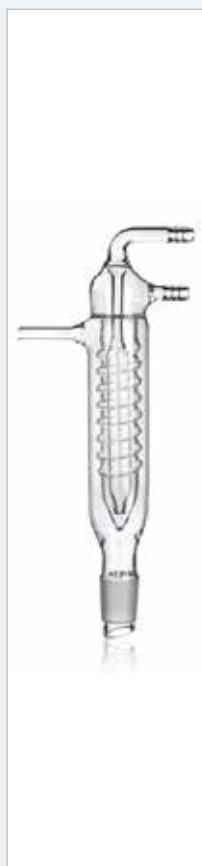
for extractor

DIMROTH-KÜHLER

für Extraktor

Cat. No. 8282

Catalog No. Katalog-Nr.	Capacity (ml) Kapazität (ml)	SJ NS	l (mm)	Number of balls Anzahl der Kugeln	Packing (pcs) Packung (Stück)
1632442532070	70	34/35	250	18	1
1632442532100	100	45/40	300	23	1
1632442532200	200	55/50	300	23	1
1632442532500	500	60/46	400	32	1
1632442532940	1000	71/51	400	32	1



CONDENSER, SPIRAL

acc. Friedrichs, with side hose
connection, with SJ cone

SCHRAUBENKÜHLER

nach Friedrichs, mit Seitenzuführung,
mit NS-Kern

Cat. No. 8265

Catalog No. Katalog-Nr.	l (mm)	d (mm)	SJ NS	Packing (pcs) Packung (Stück)
1632442525050	200	44	14/23	1
1632442525080	220	44	29/32	1

COMUMN DISTILLING

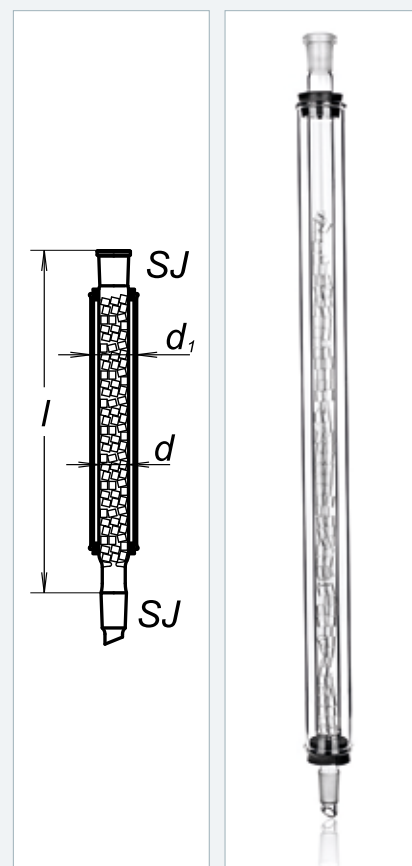
acc. Hempel, jacketed, filled with Raschig's rings

HEMPEL- DESTILLIERKOLONNE

mit Isoliermantel und Raschigringfüllung

Cat. No. 8321

Catalog No. Katalog-Nr.	l (mm)	SJ NS	d (mm)	d1 (mm)	Packing (pcs) Packung (Stück)
1632441404302	300	14/23	17	32	1
1632441404303	300	19/26	17	30	1
1632441404502	500	14/23	17	32	1
1632441404505	500	29/32	34	46	1
1632441404755	750	29/32	34	40	1
1632441404995	1000	29/32	34	46	1



EXTRACTOR

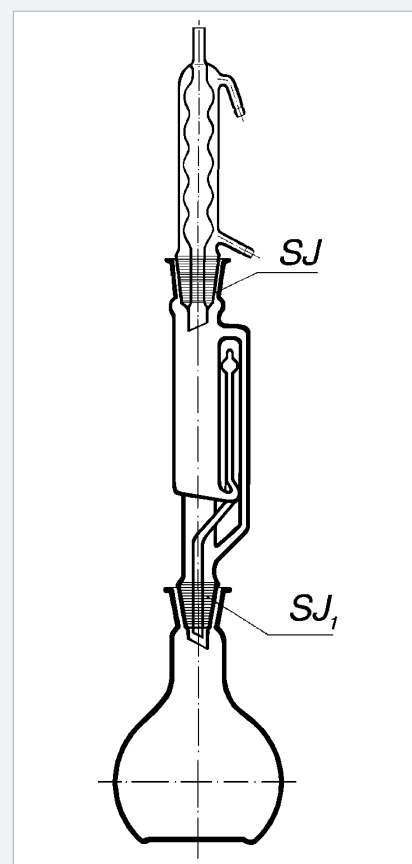
acc. Soxhlet, with Allihn condenser

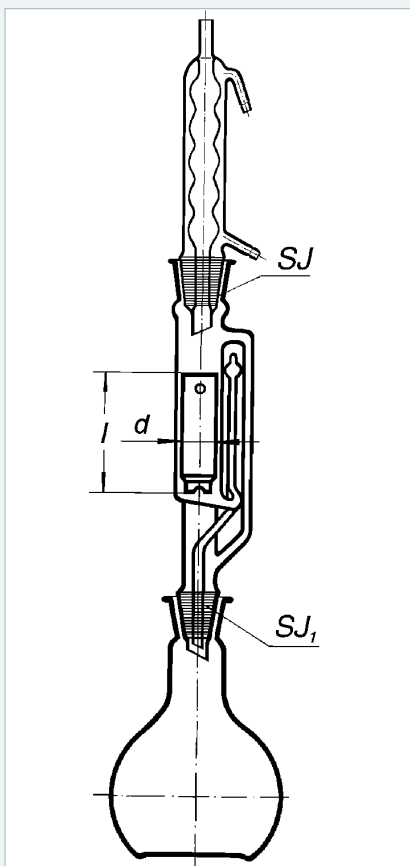
EXTRAKTOR

nach Soxhlet mit Allihn-Kühler

Cat. No. 8730

Catalog No. Katalog-Nr.	Capacity (ml) Kapazität (ml)	SJ NS	SJ1 NS1	Packing (pcs) Packung (Stück)
1632442103100	100	45/40	29/32	1
1632442103200	200	55/50	29/32	1
1632442103500	500	60/46	29/32	1
1632442103940	1000	71/51	29/32	1





EXTRACTOR

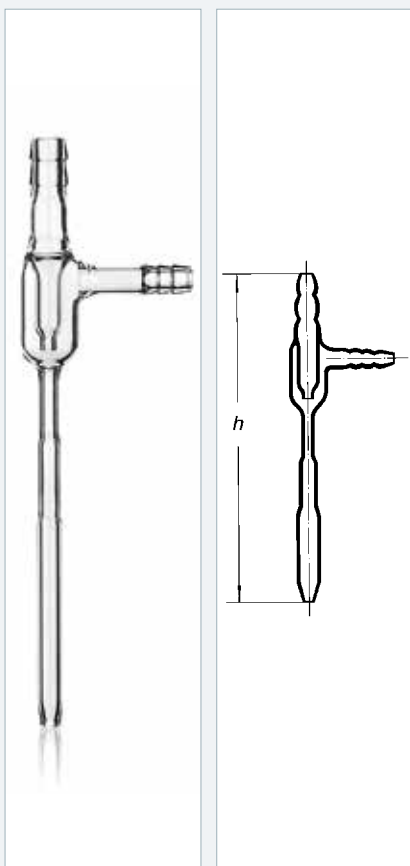
acc. Soxhlet, with Allihn condenser
and sintered disc

EXTRAKTOR

nach Soxhlet mit Allihn-Kühler
und Filterplatte

Cat. No. 8730 F

Catalog No. Katalog-Nr.	Capacity (ml) Kapazität (ml)	SJ NS	SJ1 NS1	l/d (mm)	Packing (pcs) Packung (Stück)
1632442104100	250	45/40	29/32	94/32	1
1632442104200	500	55/50	29/32	123/40	1
1632442104500	1000	60/46	29/32	200/40	1
1632442104940	2000	71/51	29/32	300/54	1



PUMP, WATER JET

WASSERSTRAHLPUMPE

Cat. No. 7790

Catalog No. Katalog-Nr.	h (mm)	Packing (pcs) Packung (Stück)
1632444001000	220	1

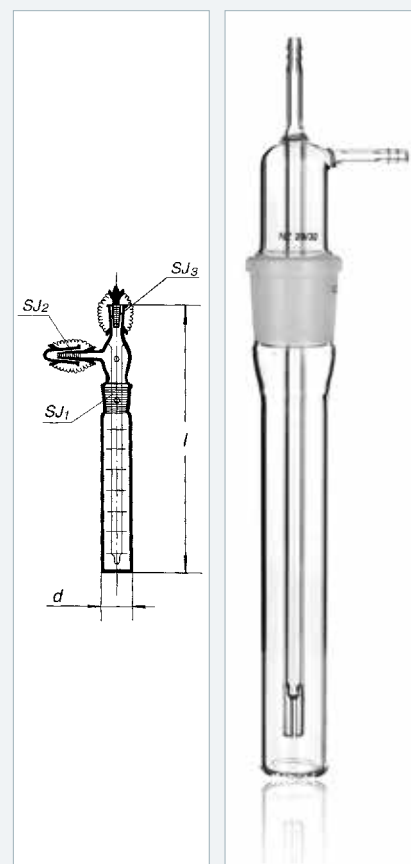
APPARATUS FOR DETERMINATION OF DUST CONCENTRATION

in air - Impinger 30ml

PRALLGERÄT ZUR STAUBBESTIMMUNG

in der Luft - Impinger 30ml

Cat. No. 8757 A						
Catalog No. Katalog-Nr.	d (mm)	l (mm)	SJ NS	SJ1 NS1	SJ2 NS2	Packing (pcs) Packung (Stück)
1632441106030	22	225	19/26	7/16	7/16	1



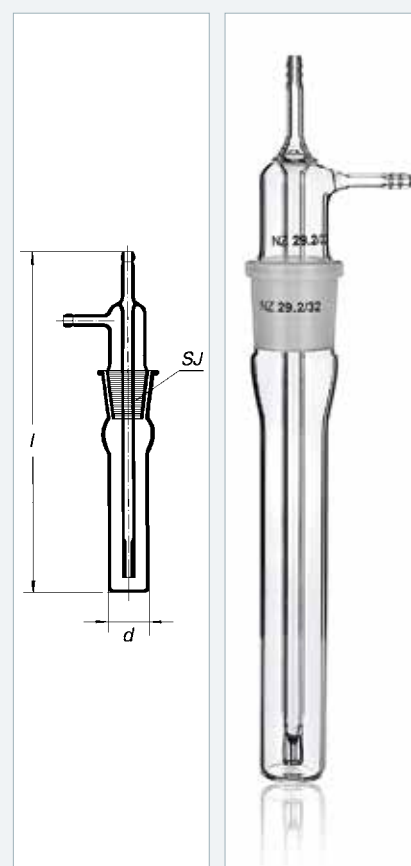
APPARATUS FOR DETERMINATION OF DUST CONCENTRATION

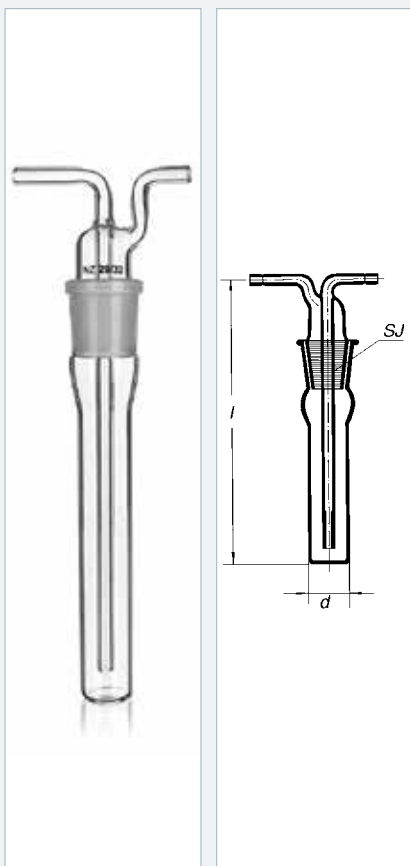
in air - Impinger 50ml

PRALLGERÄT ZUR STAUBBESTIMMUNG

in der Luft - Impinger 50ml

Cat. No. 8757 B				
Catalog No. Katalog-Nr.	d (mm)	l (mm)	SJ NS	Packing (pcs) Packung (Stück)
1632441106050	26	270	29/32	1





APPARATUS FOR
DETERMINATION OF
DUST CONCENTRATION

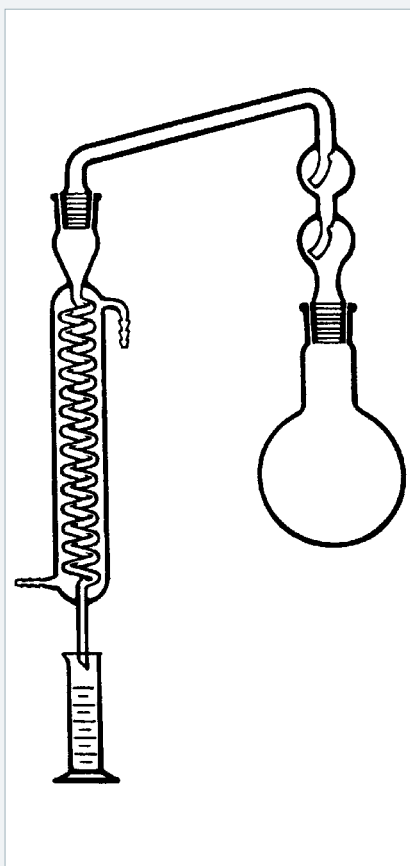
in air - Impinger 100ml

PRALLGERÄT ZUR
STAUBBESTIMMUNG

in der Luft - Impinger 100ml

Cat. No. 8757 C

Catalog No. Katalog-Nr.	d (mm)	l (mm)	SJ NS	Packing (pcs) Packung (Stück)
1632441106100	26	285	29/32	1



APPARATUS DISTILLING

acc. Maruson, with splash head and bulb

DESTILLIERAPPARAT

nach Markuson mit Tropfenfänger

Cat. No. 8746

Catalog No. Katalog-Nr.	Package height (mm) Packungshöhe (mm)	SJ NS	Packing (pcs) Packung (Stück)
1632441617940	1000	29/32	1
1632441617950	2000	29/32	1

ISO
835

EXTRACTOR BODY

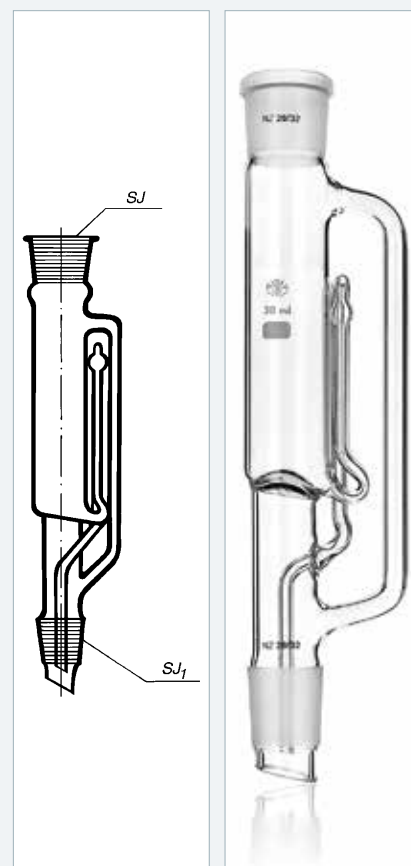
acc. Soxhlet

Cat. No. 8293				
Catalog No. Katalog-Nr.	Capacity (ml) Kapazität (ml)	SJ NS	SJ1 NS1	Packing (pcs) Packung (Stück)
1632442101070	70	34/35	29/32	1
1632442101100	100	45/40	29/32	1
1632442101200	200	55/50	29/32	1
1632442101500	500	60/46	29/32	1
1632442101940	1000	71/51	29/32	1

ISO
835

EXTRAKTORAUFSATZ

nach Soxhlet



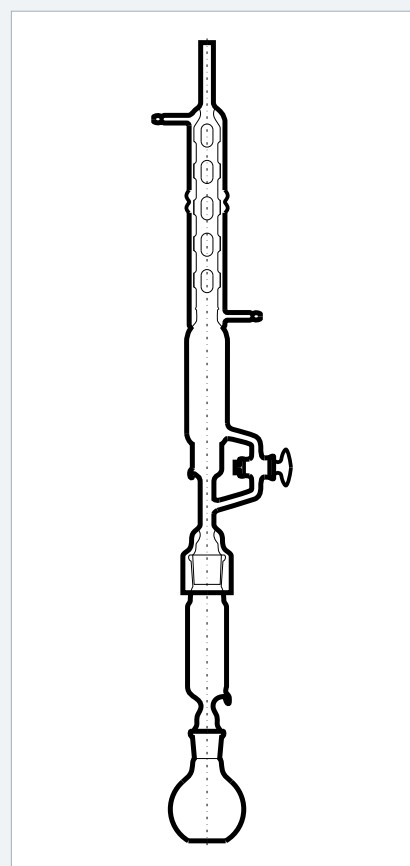
EXTRACTOR

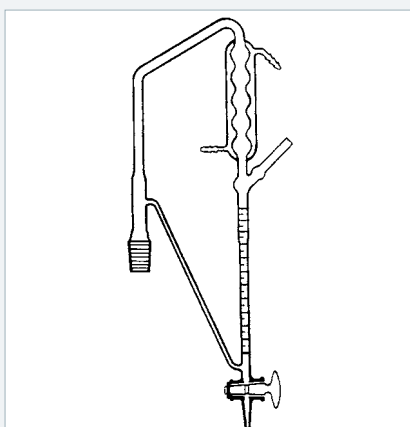
acc. Twisselmann

Cat. No. 8308					
Catalog No. Katalog-Nr.	Apparatus Sj Apparat NS	Cond. length Kond. Länge	Flask (ml) Kolbenkörper (ml)	Packing Sj quantity Packung NS Menge	Packing (pcs) Packung (Stück)
1632442108090	29/32 + 34/35	34/35	250	29/32	1

EXTRAKTOR

nach Twisselmann





APPARATUS FOR DETERMINATION OF VOLATILE OIL

in drugs

ÖLUNTERSUCHUNGSAP- PARAT

zur Bestimmung des Gehaltes an
ätherischen Ölen

Cat. No. 8504

Catalog No. Katalog-Nr.	Capacity (ml) Kapazität (ml)	Flask (ml) Kolbenkörper (ml)	Capacity SJ Kapazität NS	Receiver- adapter Empfänger Adapter	Packing (pcs) Packung (Stück)
1632442110940	1	1000	29/32	graduated	1

CONDENSER, AIR

KÜHLROHR

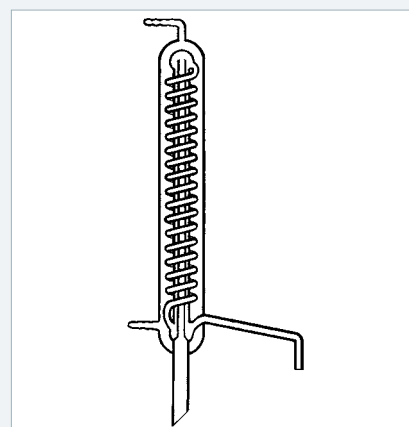
Cat. No. 8250

Catalog No. Katalog-Nr.	Length (mm) Länge (mm)	SJ NS	Packing (pcs) Packung (Stück)
1632442501505	500	29/32	1
1632442501995	1000	29/32	1

CONDENSER, REDESTILLING

SCHLANGENKÜHLER ZUR REDESTILLIERUNG

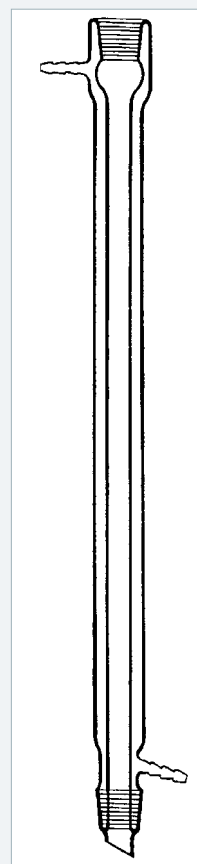
Cat. No. 7119		
Catalog No. Katalog-Nr.	Length (mm) Länge (mm)	Packing (pcs) Packung (Stück)
1632442502300	300	1
1632442502400	400	1

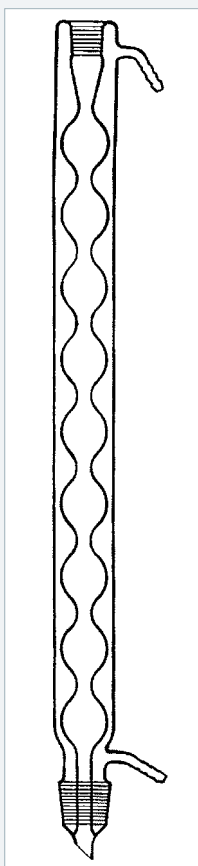


CONDENSER, WEST

WEST-KÜHLER

Cat. No. 8720			
Catalog No. Katalog-Nr.	Length (mm) Länge (mm)	SJ NS	Packing (pcs) Packung (Stück)
1632442509305	300	29/32	1
1632442509705	700	29/32	1
1632442509995	1000	29/32	1





CONDENSER ALLIHN

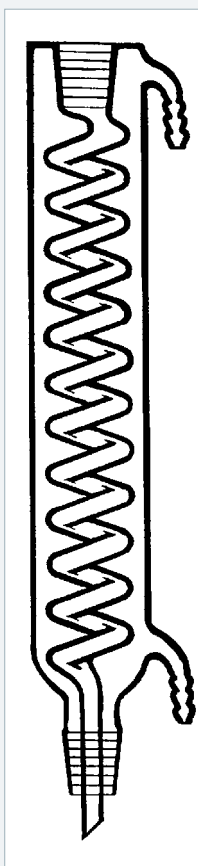
acc. Allihn, SJ cone and socket, water cooled

KUGELKÜHLER

Allihn-Kühler mit gekühltem NS-Kern und Hülse

Cat. No. 8723

Catalog No. Katalog-Nr.	Length (mm) Länge (mm)	SJ NS	Packing (pcs) Packung (Stück)
1632442514305	300	29/32	1
1632442514405	400	29/32	1
1632442514605	600	29/32	1



CONDENSER COIL

SJ cone and socket, water cooled

SCHLANGENKÜHLER

mit gekühltem NS-Kern und Hülse

Cat. No. 8722

Catalog No. Katalog-Nr.	Length (mm) Länge (mm)	SJ NS	Packing (pcs) Packung (Stück)
1632442521305	300	29/32	1
1632442521405	400	29/32	1

CONDENSER REFLUX FRIEDRICHS, HELICAL

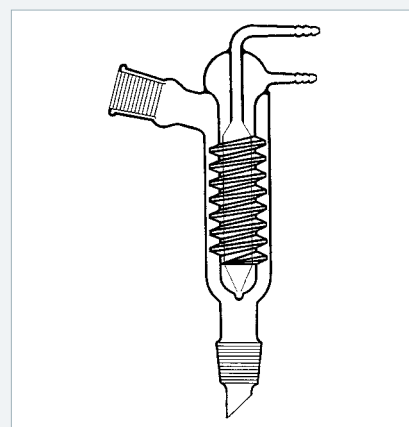
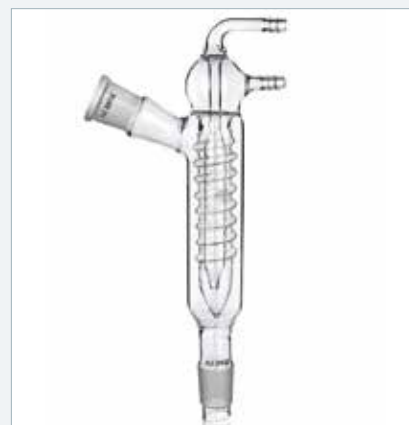
sloping, SJ cone and socket

Cat. No. 8266

Catalog No. Katalog-Nr.	Length (mm) Länge (mm)	SJ NS	Packing (pcs) Packung (Stück)
1632442526080	250	29/32	1

RÜCKLAUF – SCHRAUBENKÜHLER

nach Friedrichs mit NS Kern und
schrägem Vorstoß mit NS Hülse



CONDENSER REFLUX FRIEDRICHS, HELICAL

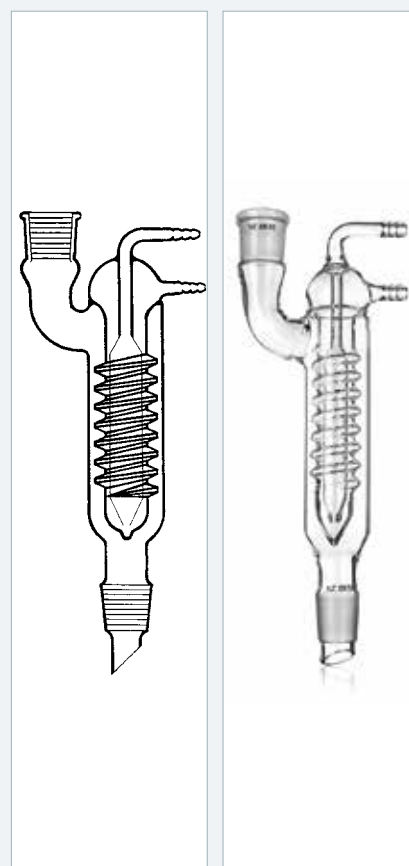
straight, SJ cone and socket

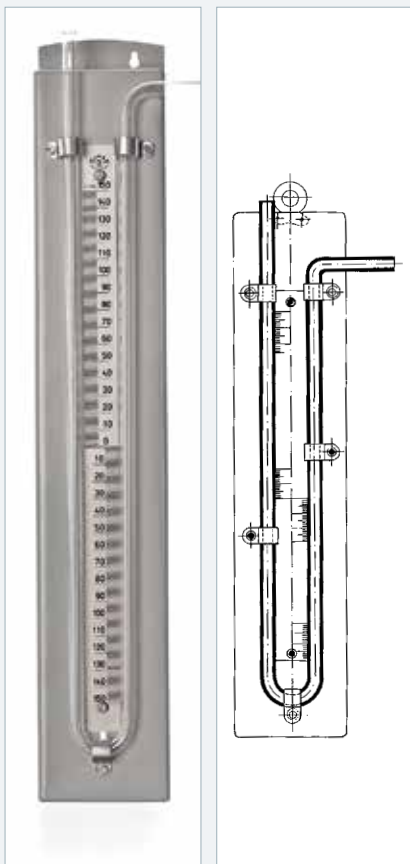
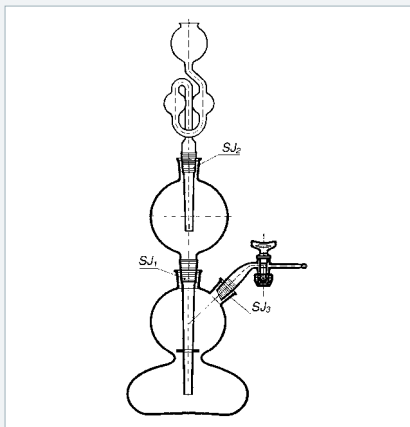
Cat. No. 8267

Catalog No. Katalog-Nr.	Length (mm) Länge (mm)	SJ NS	Packing (pcs) Packung (Stück)
1632442527080	250	29/32	1

RÜCKLAUF – SCHRAUBENKÜHLER

nach Friedrichs mit NS Kern und
senkrechtem Vorstoß mit NS Hülse





GAS GENERATOR

globe shaped bottom, with tubular fittings provided with SJ

KIPP – APPARATE

mit halbkugelförmigem Unterteil und NS – Zubehör (Sicherheitsrohr und NS Hahn)

Cat. No. 2442

Catalog No. Katalog-Nr.	Capacity (ml) Kapazität (ml)	SJ NS	SJ1 NS1	SJ2 NS2	Packing (pcs) Packung (Stück)
1632415106500	500	29/32	29/32	29/32	1
1632415106940	1000	34/35	34/35	29/32	1
1632415106950	2000	34/35	34/35	29/32	1

MANOMETER GAUGE

with scale, without stopcock

MANOMETER

mit Skala, ohne Hahn

Cat. No. 7235

Catalog No. Katalog-Nr.	Capacity (ml) Kapazität (ml)	Packing (pcs) Packung (Stück)
1632443001150	150-0-150	1
1632443001250	250-0-250	1
1632443001500	500-0-500	1

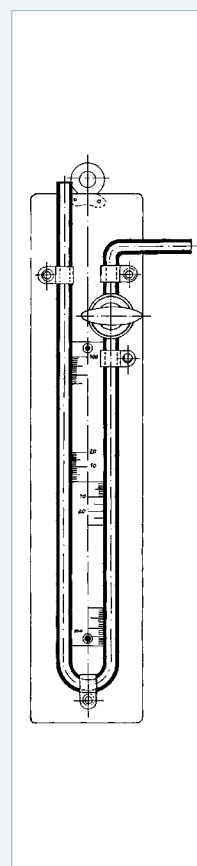
MANOMETER GAUGE

with scale and stopcock

Cat. No. 7236		
Catalog No. Katalog-Nr.	Capacity (ml) Kapazität (ml)	Packing (pcs) Packung (Stück)
1632443002100	100-0-100	1
1632443002150	150-0-150	1
1632443002250	250-0-250	1
1632443002500	500-0-500	1

MANOMETER

mit Skala und Hahn



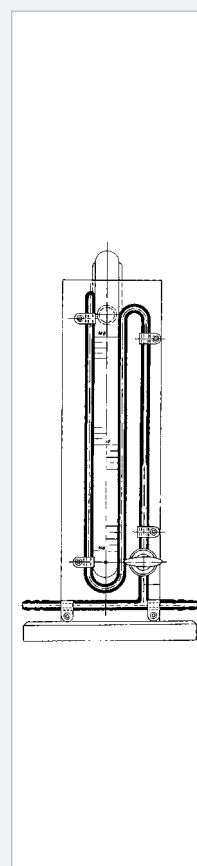
MANOMETER GAUGE

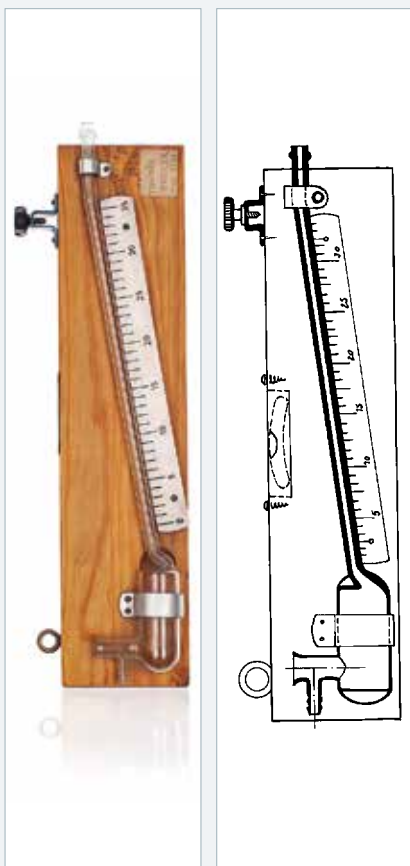
with moveble scale, acc. Anschütz

Cat. No. 7238			
Catalog No. Katalog-Nr.	Capacity of mercury column (mm) Kapazität von Quecksilber (mm)		Packing (pcs) Packung (Stück)
1632443003100	100-0-100	without mercury fillings ohne Quecksilberfüllungen	1
1632443003101	100-0-100		1

MANOMETER

mit verschiebbarer Skala





MANOMETER GAUGE KRELL TYPE

Cat. No. 7246		
Catalog No. Katalog-Nr.	Capacity of water column (mm) Kapazität der Wassersäule	Packing (pcs) Packung (Stück)
1632443008035	0-35	1
1632443008060	0-60	1

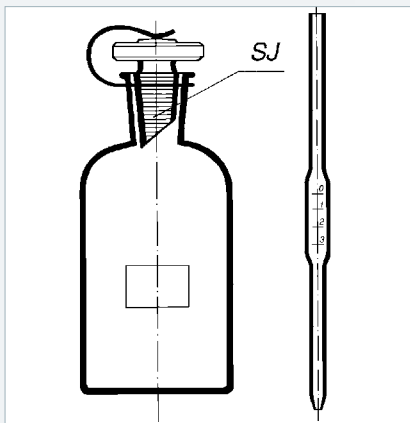
MANOMETER NACH KRELL



APPARATUS WINKLER water determinantion

APPARAT NACH WINKLER zur Wasserbestimmung

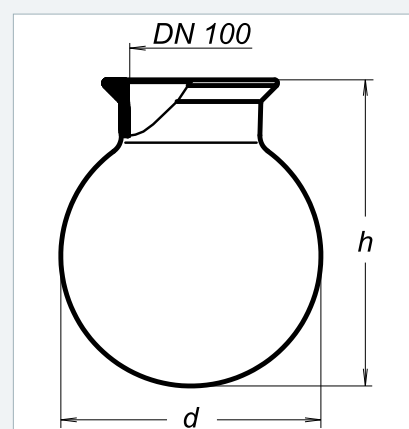
Cat. No. 2772			
Catalog No. Katalog-Nr.	Capacity (ml) Kapazität (ml)	SJ NS	Packing (pcs) Packung (Stück)
1632447702300	250-300	19/26	40



ROUND FLASK DN100

RUNDKOLBEN DN100

Cat. No. 661				
Catalog No. Katalog-Nr.	Capacity (ml) Kapazität (ml)	d (mm)	h (mm)	Packing (pcs) Packung (Stück)
1632449661954	4000	207	250	2
1632449661958	6000	236	275	1
1632449661966	10000	280	365	1
1632449661968	20000	350	450	1



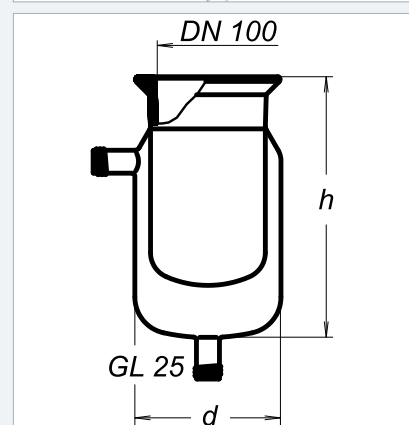
STEAM-JACKETED KETTLE

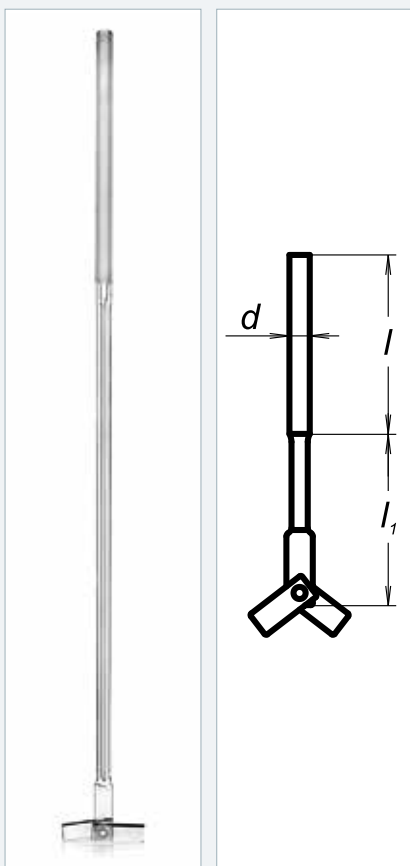
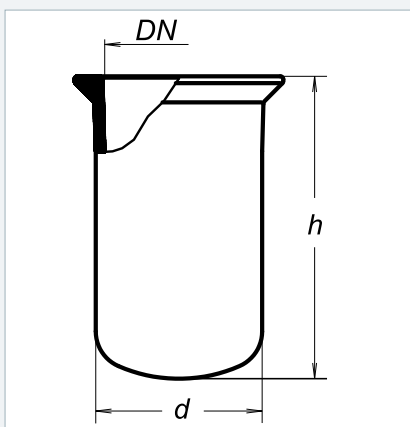
with outlet GL25

DUPLIKATORGEFÄSS DN100

mit Auslaß GL 25

Cat. No. 654				
Catalog No. Katalog-Nr.	Capacity (ml) Kapazität (ml)	d (mm)	h (mm)	Packing (pcs) Packung (Stück)
1632449654500	500	110	200	4
1632449654940	1000	140	250	2
1632449654950	2000	175	300	2





REACTION KETTLE

REAKTIONSGEFÄSS

Cat. No. 651

Catalog No. Katalog-Nr.	Capacity (ml) Kapazität (ml)	d (mm)	h (mm)	DN	Packing (pcs) Packung (Stück)
1632449631100	100	68	85	60	
1632449631250	250	68	125	60	
1632449651500	500	110	125	100	8
1632449651940	1000	110	200	100	2
1632449651950	2000	140	275	100	4
1632449651952	3000	165	275	100	4
1632449651954	4000	175	315	100	3
1632449671954	4000	200	280	150	
1632449671958	6000	215	320	150	
1632449671966	10000	240	410	150	

STIRRER

with movable wings

RÜHRWERK

mit festen Flügeln

Cat. No. 8430 MS

Catalog No. Katalog-Nr.	d (mm)	l (mm)	l1 (mm)	Packing (pcs) Packung (Stück)
1632443117300	10	165	300	1
1632443117420	10	165	420	1
1632443117535	10	165	535	1

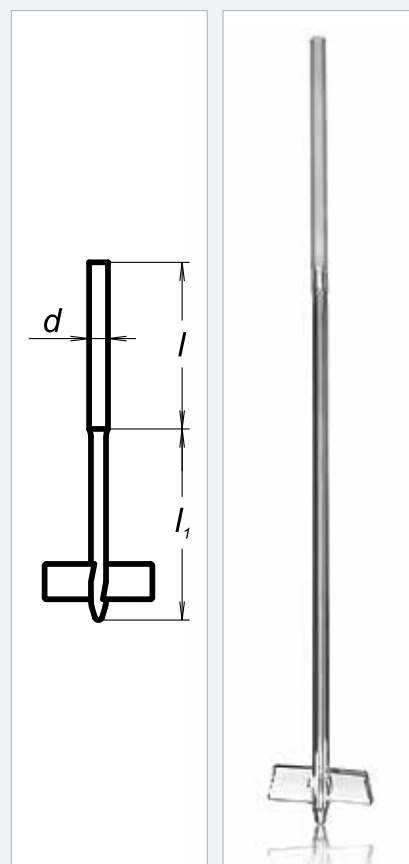
STIRRER

with fixed wings

RÜHRWERK

mit festen Flügeln

Cat. No. 8430 MR				
Catalog No. Katalog-Nr.	d (mm)	l (mm)	l ₁ (mm)	Packing (pcs) Packung (Stück)
1632443116300	10	165	300	1



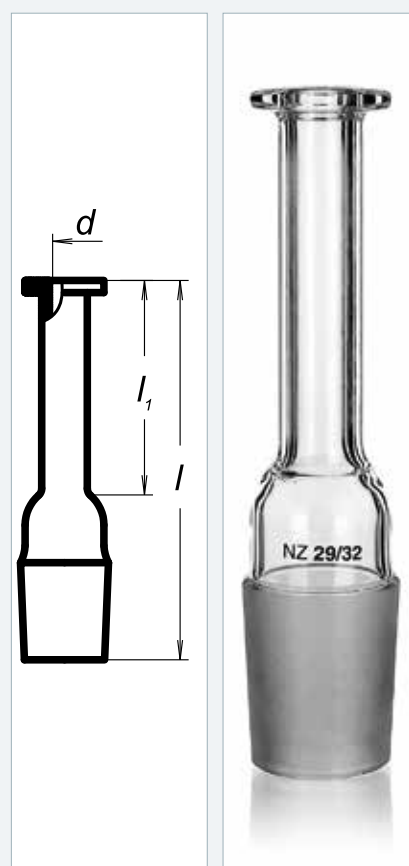
BEARING KPG

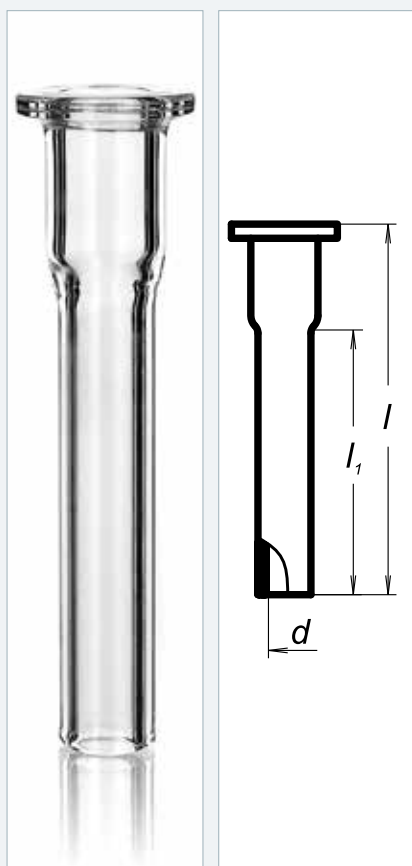
for stirrers with SJ

KPG-LAGER

für Rührwerke mit NS

Cat. No. 8430 LZ					
Catalog No. Katalog-Nr.	d (mm)	l (mm)	l ₁ (mm)	NZ	Packing (pcs) Packung (Stück)
1632443112080	10	125	70	29/32	1
1632443113110	10	135	70	45/40	1





BEARING KPG

for stirrers

KPG-LAGER

für Rührwerke

Cat. No. 8430L

Catalog No. Katalog-Nr.	d (mm)	l (mm)	l1 (mm)	Packing (pcs) Packung (Stück)
1632443111100	10	105	75	1

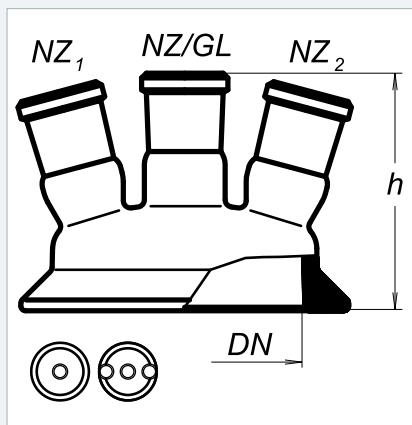


LID

DECKEL

Cat. No. 610

Catalog No. Katalog-Nr.	DN	Central NZ/GL Zentral NZ/GL	NZ1	NZ2	h (mm)	Packing (pcs) Packung (Stück)
1632426606100	60	NZ 29/32	-	-	80	1
1632426610101	100	NZ 29/32	-	-	100	6
1632426610102	100	NZ 45/40	-	-	100	6
1632426610301	100	NZ 29/32	29/32	14/23	100	6
1632426610302	100	NZ 29/32	14/23	14/23	100	6
1632426610304	100	GL 32	29/32	14/23	100	6
1632426610310	100	NZ 29/32	29/32	29/32	100	6
1632426615100	150	NZ 29/32	-	-	100	6
1632426615300	150	NZ 29/32	29/32	14/23	100	6
1632426615301	150	NZ 29/32	29/32	29/32	100	6



Various configuration and number of outlets may be combined according to customer's request.
Nach Kundenwunsch können die Ausführungen und ihre Anzahl unterschiedlich kombiniert werden.

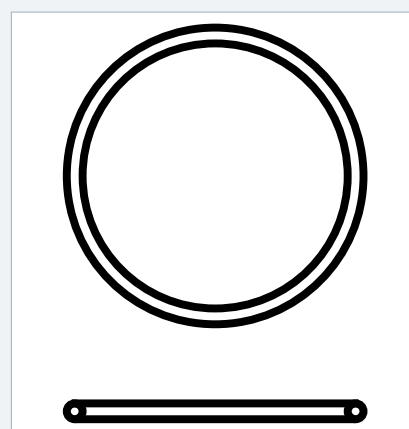
SEALING O-RING, SILICONE

FEP, plastic coated, red

O-RING AUS SILIKON

kunststoffbeschichtet FEP, rot

Catalog No. Katalog-Nr.	DN	Packing (pcs) Packung (Stück)
9180003256	60	1
9180003257	100	1
9180003258	150	1



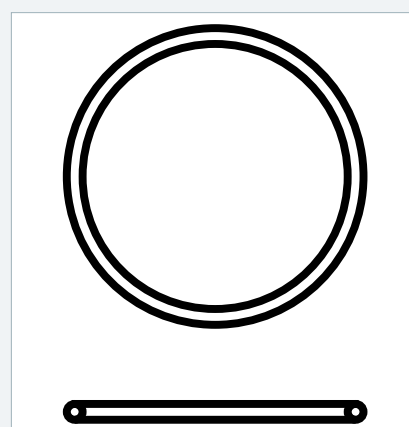
SEALING O-RING, SILICONE

transparent

O-RING AUS SILIKON

transparent

Catalog No. Katalog-Nr.	DN	Packing (pcs) Packung (Stück)
9180003259	60	1
9180003260	100	1
9180003261	150	1





**LABORATORY
APPLIANCES**

LABORZUBEHÖR



LABORATORY APPLIANCES

LABORZUBEHÖR

LAB BURNERS

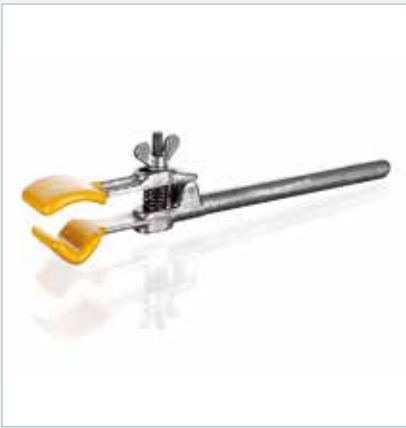
Laboratory gas burners are used in laboratories for the process of heating and annealing substances. The burners should only be used in properly ventilated rooms. The burner consists of a pressed sheet metal base to which the burner body with gas inlet and mixer can be attached. There is a rotating ring recess to the bottom of the burner for controlling airflow to the unit. The burner gas type is marked on the base plate. Burner Types Z2 and P2 are fitted with a regulating valve.

LABORBRENNER

Die Laborbrenner für gasartige Brennstoffe werden in Laboratorien und Betriebsstätten zum Erhitzen und Glühen von Stoffen benutzt. Die Brenner können nur in gut belüfteten Räumen eingesetzt werden. Der Brenner besteht aus dem Sockel aus Stanzblech, auf den der Brennerkörper mit der Gaszuführung und dem Mischer festgeschraubt ist. Im unteren Brennerteil ist eine Blende, mit deren Drehung das Luftansaugen geregelt wird. Die für den Brenner geeignete Gasart ist auf dem Produktionsschild am Sockel angeführt. Die Brenner des Typs Z2 und P2 sind mit einem Regelungsventil ausgestattet.

Catalog No. Katalog-Nr.	Type Typ	Gas Gas	Pressure (Pa) Druck (Pa)	Consumption (Nm ³ /h) Leistungsauf- nahme (Nm ³ /h)	Output (W) Leistung	Weight (g) Gewicht (g)
1396554211800	Z1	Gas	1,5–2,3	0,13	1300	450
1396554212100	Z2	Gas	1,5–2,3	0,23	2300	800
1396554211900	P1	Propan butan	2,5–3,5	0,045	1450	450
1396554212200	P2	Propan butan	2,5–3,5	0,08	2500	800





HOLDER WITHOUT CLAMP

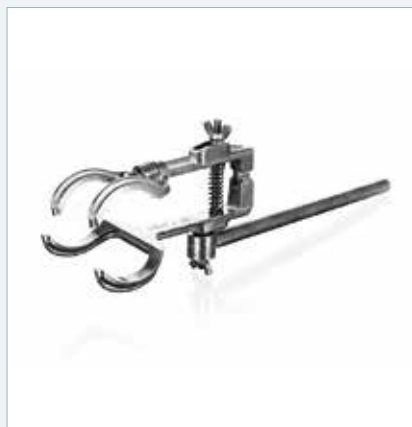
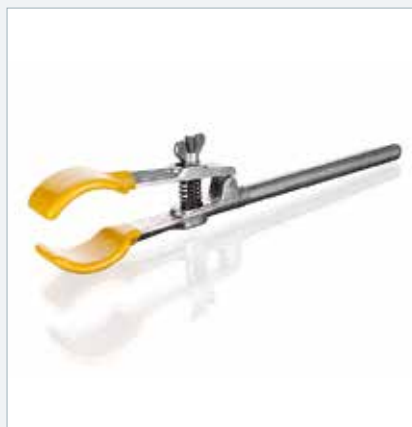
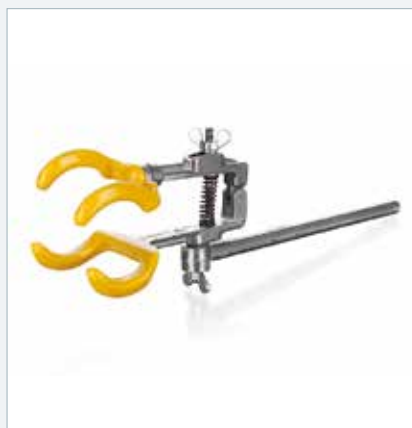
The holder is intended for use with a laboratory stand. It is fastened using a cross clamp to the stand rod. Maximum jaw opening is 40mm. The jaws are cork-lined. Diameter of the clamped part is 11mm.

HALTER OHNE KLEMME

Der Halter ist für Arbeiten mit dem Laborständer in Laboratorien bestimmt. Er wird mit Kreuzklemme an die Ständerstange befestigt. Maximaler Backenabstand beträgt 40mm. Die Backen sind mit Kork ausgekleidet. Durchmesser des einzuspannenden Teiles beträgt 11mm.

Catalog No. Katalog-Nr.		Surface Oberfläche	Length (mm) Länge (mm)	Weight (g) Gewicht (g)
1396551210101	Holder 1 Halter 1	Cork Kork	186	65
1396551210103	Holder 1 Halter 1	Plastic Kunststoff	186	65
1396551210102	Holder 1 Halter 1	Cork Kork	196	75
1396551210104	Holder 1 Halter 1	Plastic Kunststoff	196	75

NOTES / AUFZEICHNUNGEN



COOLER HOLDER

The cooler holder is used for the safe hanging of a cooler onto a laboratory stand. The holder consists of adjustable jaws and a 11mm diameter stem for fastening the holder onto a laboratory stand. It is fastened with a cross clamp to the stand rod.

KÜHLERHALTER

Der Kühlerhalter wird zum sicheren Anhängen des Kühlers an den Laborständer benutzt. Der Halter besteht aus den verstellbaren Backen und dem Schaft mit einem Durchmesser von 11 mm, der zum Befestigen an den Laborständer dient. Er wird mit Kreuzklemme an die Ständerstange befestigt.

Catalog No. Katalog-Nr.		Surface Oberfläche	Length (mm) Länge (mm)	Weight (g) Gewicht (g)
1396551210105	Holder of cooler (medium) Kühlerhalter (mittel)	Cork Kork	225	85
1396551210107	Holder of cooler (medium) Kühlerhalter (mittel)	Plastic Kunststoff	225	85
1396551210106	Holder of cooler (large) Kühlerhalter (groß)	Cork Kork	280	150
1396551210108	Holder of cooler (large) Kühlerhalter (groß)	Plastic Kunststoff	280	150

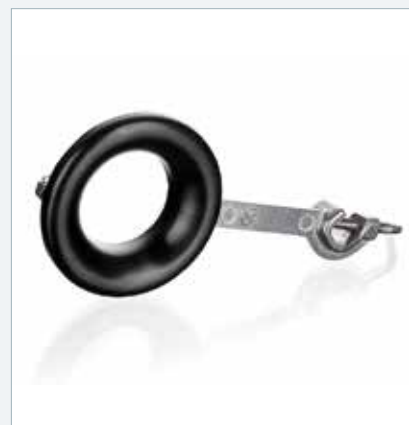
FILTRATION RINGS

The rings are designed as an under-glass support for laboratory stand work. They are fitted with a plastic insert and come in three sizes.

FILTRIERRINGE

Die Ringe sind für Arbeiten an Laborständen in Laboratorien als Unterlage unter Glaskolben bestimmt. Sie sind mit einer Kunststoffeinlage versehen und werden in drei Größen hergestellt.

Catalog No. Katalog-Nr.	Internal diameter (mm) Innendurchmesser (mm)	Length (mm) Länge (mm)	Weight (g) Gewicht (g)
1396551310101	30	157	60
1396551310102	40	162	80
1396551310103	55	170	90



BOILING RINGS

The boiling ring is used for mounting various sized flasks to a laboratory stand. It is fixed to the rod by means of a cross clamp. There are three different ring diameters for the safe mounting of glass flasks to the stand.

KOCHRINGE

Der Kochring dient für das Ablegen der Kolben verschiedener Größen auf dem Laborständer. Er wird mit Hilfe einer Kreuzklemme an einer Stange befestigt. Hergestellt wird er in drei Ringdurchmessern für das Ablegen von Glaskolben auf dem Ständer.

Catalog No. Katalog-Nr.	Type Typ	Internal diameter (mm) Innendurchmesser (mm)	Length (mm) Länge (mm)	Weight (g) Gewicht (g)
1396551316286	Kruh 80	80	225	100
1396551316287	Kruh 106	106	260	200
1396551316288	Kruh 132	132	286	300





CROSS CLAMP

The cross clamp is used for fastening components to a laboratory stand. It is made of aluminium alloy with a steel fastening screw to the clamp. The minimum and maximum clamping diameter is 5mm and 12mm respectively.

KREUZKLEMME

Die Kreuzklemme ist für das Befestigen am Laborständer bestimmt. Sie ist aus Aluminiumlegierung hergestellt, die Befestigungsschraube der Klemme aus Stahl.

Der Spanndurchmesser beträgt 5-12 mm.

Catalog No. Katalog-Nr.	Length (mm) Länge (mm)	Weight (g) Gewicht (g)
1396551410100	80	55



LABORATORY STAND WITH PLATE

The stand is intended for laboratory use. The stand plate is made from cast iron with a coated surface. The rod is nickel-plated. The stand comes in two sizes.

LABORSTÄNDER MIT PLATTE

Der Ständer ist für Arbeiten in Laboratorien bestimmt. Die Platte des Ständers ist aus Gusseisen, Oberflächenbehandlung mit einem Anstrich, die Stange ist vernickelt.

Der Ständer wird in zwei Größen hergestellt.

Catalog No. Katalog-Nr.	Height (mm) Höhe (mm)	Rod diameter (mm) Stangendurchmesser (mm)	Plate dimension (mm) Abmessungen der Platte (mm)	Weight (kg) Gewicht (kg)
1396551110301	750	12	250 x 160	2,3
1396551110302	1000	12	250 x 160	2,5



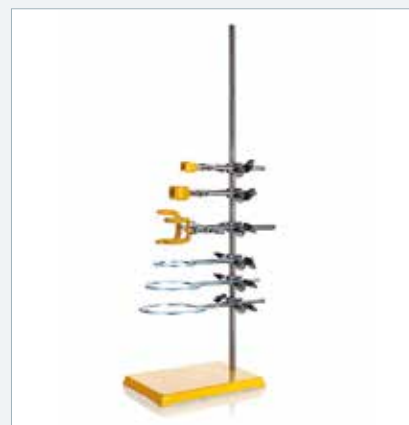
UNIVERSAL BUNSEN STAND

The universal stand is used in laboratories for fastening apparatus in various positions. The stand is supplied in parts for assembling in various combinations for effective laboratory use

BUNSEN-UNIVERSALGESTELL

Das Universalgestell wird in Laboratorien zum Befestigen von Geräten und Laborhilfsmitteln in verschiedenen Positionen benutzt. Das Gestell wird in Teilen für den Zusammenbau beliebiger Kombinationen für Laborarbeiten geliefert.

Catalog No. Katalog-Nr.			Weight (kg) Gewicht (kg)
1396551110100	1 pc lab stand with plate and rod length 750mm	1 Stk. Laborgestell mit Platte und Stange, Länge 750mm	
1396551110101	1 pc ring for boiling, Ø 100mm 1 pc holder of cooler (large) 1 pc holder without clamp 2 1 pc ring for boiling, Ø 130mm 1 pc ring for boiling, Ø 70mm 1 pc holder without clamp 1 6 pcs cross clamp	1 Stk. Kochring, Ø 100mm 1 Stk. Kühlerhalter groß 1 Stk. Halter ohne Klemme 2 1 Stk. Kochring, Ø 130mm 1 Stk. Kochring, Ø 70mm 1 Stk. Halter ohne Klemme 1 6 Stk. Kreuzklemme	3,6



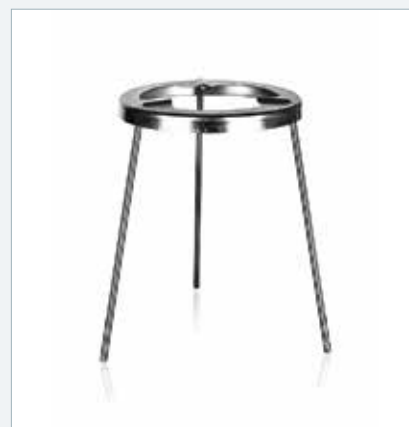
BOILING TRIPOD

The tripod is intended for boiling use in laboratories. It is made of steel rods and pressed sheet metal. It is fabricated in two versions.

DREIFUSS ZUM KOCHEN

Der Dreifuß ist für das Kochen in Laboratorien bestimmt. Er ist aus einer Stahlstange und Stanzblech hergestellt. Er wird in zwei Ausführungen produziert.

Catalog No. Katalog-Nr.	Type Typ	Diameter (mm) Durchmesser (mm)	Length (mm) Länge (mm)	Weight (g) Gewicht (g)
1396553710103	Tripod 120 Dreifuß 120	140	190	360
1396553710104	Tripod 150 Dreifuß 150	154	190	450





TEST TUBE HOLDER

Catalog No. Katalog-Nr.	Socket diameter x length (mm) Hülsendurchmesser x Länge (mm)	Weight (g) Gewicht (g)
1396551210501	17x225	60

REAGENZGLASHALTER



HOFMAN HOSE CLAMP

To be used for flow-rate control of liquids within the hose. Made of metal and available in two sizes.

HOFMANS QUETSCHHAHN

Der Hofmans Quetschhahn dient der Regelung des Durchflusses der Flüssigkeit im Schlauch. Er ist aus Metall hergestellt und ist in zwei Größen lieferbar.

Catalog No. Katalog-Nr.	Size (mm) Größe (mm)
1396553110205	30
1396553110206	40

HARDENED PVC REPUMPING SIPHON

The siphon is used for the safe re-pumping of aggressive and other liquids from transport bottles or barrels. The siphon is formed from a bent hardened-PVC tube fitted on one end with a glass adapter with protective flask, a rubber ball and a two-way glass cock. The volume of the ball enables, with a single stroke, the sucking in of liquid which passes the overflow point and then flows out spontaneously. The protective glass flask prevents the pumped liquid from penetrating into the ball.

UMPUMP-SAUGHEBER AUS NOVODUR

Der Saugheber dient dem sicheren Umpumpen aggressiver und anderer Flüssigkeiten aus Transportflaschen oder Fässern. Der Saugheber ist ein gebogenes Novodurrohr, das an einem Ende mit einem Glasansatz mit Schutzkolben, einem Gummiballon und Zweiweg-Glashahn versehen ist. Der Balloninhalt ermöglicht, mit einem Ansaugen Flüssigkeit anzusaugen, damit diese über den Überfallpunkt gelangt und weiter spontan ausläuft. Der Schutzglaskolben verhindert das Eindringen der umpumpten Flüssigkeit in den Ballon.



Catalog No. Katalog-Nr.		
1396529110100	Length - ball side 916mm - opposite side 880mm Width 310mm Curvature diameter 150mm Tube diameter 15mm Weight 0,75kg	Länge - Seite mit Ballon 916mm - gegenüberliegende Seite 880mm Breite 310mm Durchmesser des gebogenen Rohres 150mm Rohrdurchmesser 15mm Gewicht 0,75kg

NOTES / AUFZEICHNUNGEN

ALPHABETICAL INDEX BY NAME

A

ADAPTER MULTIPLE with two necks parallel	158
ADAPTER DISTILLING with drop catcher, with SJ distilling head	155
ADAPTER MULTIPLE with two necks parallel	159
ADAPTER, WITH BENDED TUBE SJ cone	152
ADAPTER, REDUCTION socket/cone	151
ADAPTER TO RINSE SJ 29/32 with rubber joint	157
ADAPTER WITH STOPCOCK and bended tube, with SJ	153
ADAPTORS FOR BOTTLES GAS WASHING, DRECHSLER	61
ADAPTORS FOR BOTTLES GAS WASHING, DRECHSLER, SJ 29/32	63
ALCOHOL LAMP, GROUND-ON CAP	57
ANTISEPTIC BOWL	51
APPARATUS DISTILLING acc. Maruson, with splash head and bulb	182
APPARATUS FOR DETERMINATION OF DUST CONCENTRATION in air - Impinger 30ml	181
APPARATUS FOR DETERMINATION OF DUST CONCENTRATION in air - Impinger 50ml	181
APPARATUS FOR DETERMINATION OF DUST CONCENTRATION in air - Impinger 100ml	182
APPARATUS FOR DETERMINATION OD VOLATILE OIL in drugs	184
APPARATUS WINKLER water determinantion	190

B

BEAKERS, LOW FORM, WITH HANDLE	40
BEAKERS, LOW FORM, WITH SPOUT	39
BEAKERS PHILIPS, LOW FORM	41
BEAKERS, TALL FORM, WITH SPOUT	40
BEARING KPG for stirrers with SJ	193
BEARING KPG for stirrers	194
BELL JARS WITH GROUND FLANGE AND KNOB	55
BELL JARS WITH GROUND FLANGE AND NECK SJ	55
BEND RECOVERY, ANGLE 75° two SJ cones	153
BEND RECOVERY, ANGLE 75° cone/socket	154
BEND RECOVERY, ANGLE 90° cone/socket	154
BOILING RINGS	203
BOILING TRIPOD	205
BOTTLE REAGENT, NARROW MOUTH with precise ground neck and glass stopper	30
BOTTLE REAGENT, WIDE MOUTH for injection serum	31
BOTTLE RESERVOIR for injection serum	30
BOTTLES ERLENMEYER, BAFFLED, GL 45	89
BOTTLES ERLENMEYER, GL 45	88
BOTTLES GAS WASHING, DRECHSLER	61
BOTTLES GAS WASHING, DRECHSLER, SJ 29/32	62
BOTTLES GAS WASHING WITH SINTERED DISC	63
BOTTLE, SPECIFIC GRAVITY, GAY-LUSSAC	101
BOTTLE, SPECIFIC GRAVITY, REISCHAUER	102
BOTTLES, SPECIFIC GRAVITY, HIGH-ROAD with adapter and funnel	102
BOTTLES TO GASWASHING ACC. DRECHSLER, SJ 29/32	62

BOTTLES WEIGHING, WITH GROUND in stopper, low form, SJ	53
BOTTLES WEIGHING, WITH GROUND in stopper, tall form, SJ	53
Bottles Woulff, three necks and outlet at bottom.	58
Bottles Woulff, three necks SJ	57
Bottles Woulff, two necks SJ	58
BOTTLES WOULFF, WITH GROUND in SJ stopper and outlet stopcock	59
BOTTOMS FOR DESICCATORS, ONLY GLASS	73
BOXES WITH DROP on cover fitted with knob, ungrounded	50
BURETTE FLASK clear	115
BURETTE HOLDER	201
BURETTE WITH STRAIGHT BORE STOPCOCK with teflon key, QUALICOLOR, CLASS AS	120
BURETTE WITH STRAIGHT BORE STOPCOCK with teflon key, with Schellbach's stripe, QUALICOLOR, CLASS AS	120
BURETTE WITH STRAIGHT BORE STOPCOCK with glass key, QUALICOLOR, CLASS AS	121
BURETTE WITH STRAIGHT BORE STOPCOCK with glass key, with Schellbach's stripe, QUALICOLOR, CLASS AS	121
BURETTE WITH STRAIGHT BORE STOPCOCK with glass key, QUALICOLOR, CLASS B	122

C

CENTRIFUGES TEST TUBES WITH CONICAL BOTTOM, WITHOUT RIM	86
CLAMPS FOR SJ	163
COMUMN DISTILLING acc. Hempel, jacketed, filled with Raschig's rings	179
CONDENSER with two SJ	172
CONDENSER, AIR	184
CONDENSER ALLIHN	174
CONDENSER ALLIHN acc. Allihn, with SJ cone	174
CONDENSER ALLIHN acc. Allihn, with two SJ	175
CONDENSER ALLIHN for extractors	175
CONDENSER ALLIHN acc. Allihn, SJ cone and socket, water cooled	186
CONDENSER COIL SJ cone and socket, water cooled	186
CONDENSER, COIL acc. Dimroth, with SJ cone	176
CONDENSER, COIL	173
CONDENSER, COIL acc. Dimroth, with two SJ	177
CONDENSER, COIL with two SJ	177
CONDENSER, DIMROTH for extractor	178
CONDENSER FOR WATER REDESTILLING	171
CONDENSER, LIEBIG without SJ	171
CONDENSER, LIEBIG with SJ cone	172
CONDENSER, LIEBIG with two SJ	173
CONDENSER, REDESTILLING	185
CONDENSER REFLUX FRIEDRICHS, HELICAL sloping, SJ cone and socket	187
CONDENSER REFLUX FRIEDRICHS, HELICAL straight, SJ cone and socket	187
CONDENSER, SPIRAL acc. Friedrichs, with side hose connection, with SJ cone	178

CONDENSER, WEST with two SJ	176	DISHES PETRI, BLOWN, BOTTOM DIVIDED	
CONDENSER, WEST	185	TO FOUR PARTITIONS, BORO 3.3	81
CONE SETTLING acc. Imhoff, closed tip	111	DISHES PETRI, BOTTOM DIVIDED IN THREE PARTITIONS,	
CONE SETTLING acc. Imhoff, with stopcock	111	BORO 3.3	80
CONE SETTLING Imhoff, end with hose connection	112	DISHES PETRI, SODA LIME GLASS	81
CONNECTING TUBES, T-SHAPE, WITH HOSE CONNECTIONS	65	DISTILLATION HEAD acc. Claisen, with SJ	158
COOLER HOLDER	202	DOSING DEVICE	35
CROSS CLAMP	204	DROPPING BOTTLES WITH GROUND in pipette stoper, clear	60
CRUCIBLES gooch type	133	DROPPING BOTTLES WITH GROUND i	
CRYSTALLIZING DISHES WITHOUT SPOUT	48	n pipette stopper, amber	60
CRYSTALLIZING DISHES WITH SPOUT	48		
CULTURE FLASKS, RECTANGULAR, BLACK,		E	
FORMED FOR STANDARD JOINT	91	EVAPORATING DISHES, FLAT BOTTOM, WITH SPOUT	49
CULTURE FLASKS ROUX, CENTRAL NECK	89	EVAPORATING DISHES, ROUND BOTTOM, WITH SPOUT	49
CULTURE FLASKS ROUX, NECK CONICAL EXCENTRIC,		EXTRACTOR acc. Twiselmann	183
FORMED FOR STANDARD JOINT	91	EXTRACTOR acc. Soxhlet, with Allihn condenser	179
CULTURE FLASKS ROUX, NECK CONICAL IN THE MIDDLE,		EXTRACTOR acc. Soxhlet, with Allihn condenser	
FORMED FOR STANDARD JOINT	90	and sintered disc	180
CULTURE FLASKS ROUX, SIDE NECK	90	EXTRACTOR BODY acc. Soxhlet	183
CYLINDER	106		
CYLINDER GRADUATED with hexagonal base and spout,		F	
high form, blue / blau graduation, class A.	103	FILTERING DEVICES with accessories	139
CYLINDER GRADUATED with hexagonal base and spout,		FILTERING FLASK with plastic side hose and plastic tube	130
high form, white / weiß graduation, class B.	104	FILTERING FLASK with glass side hose	131
CYLINDER GRADUATED with hexagonal base and spout,		FILTERING TEST TUBES	88
high form, brown graduation, class B	105	FILTRATION RINGS	203
CYLINDER GRADUATED high form, brown graduation	105	FLASK, CONICAL acc. Erlenmeyer, with SJ	143
CYLINDER GRADUATED with hexagonal base and spout,		FLASK, DISTILLING round bottom, two lateral necks	147
low form, white / weiß graduation, class B	106	FLASK, DISTILLING round bottom, one oblique neck	148
CYLINDER GRADUATED with hexagonal base and spout, l		FLASK, DROP SHAPED with SJ	147
ow form, brown graduation, class B	107	FLASK, HEART SHAPED with SJ	146
CYLINDER GRADUATED with hexagonal base and spout,		FLASK MICRO with round bottom and SJ	146
without graduation	107	FLASKS ERLLENMEYER, NARROW NECK enghalsig	42
CYLINDER GRADUATED with SJ and glass stopper,		FLASKS ERLLENMEYER, WIDE NECK	43
all-round scale, blue / blau graduation, class A	108	FLASKS, FLAT BOTTOM, NARROW NECK, WITH RIM	44
CYLINDER GRADUATED with SJ and plastic stopper,		FLASKS, FLAT BOTTOM, WIDE NECK, WITH RIM	44
blue / blau graduation, class A	108	FLASKS FRACTIONATING, ENGLER	47
CYLINDER GRADUATED with SJ and glass stopper,		FLASKS FRACTIONATING SIDE, ARM SEALED	
white / weiß graduation, class B	109	AT THE BOTTOM THIRD PART OF NECK	46
CYLINDER GRADUATED with SJ and plastic stopper,		FLASKS FRACTIONATING SIDE, ARM SEALED	
white / weiß graduation, class B	109	AT THE MIDDLE PART OF NECK	47
CYLINDER GRADUATED with SJ and plastic stopper,		FLASKS KJELDAHL	46
brown graduation, class B	110	FLASKS, ROUND BOTTOM, NARROW NECK, WITH RIM	45
CYLINDER GRADUATED with SJ and plastic stopper,		FLASK, SULPHONATING with three necks	148
brown graduation, class B	110	FLASK VOLUMETRIC with SJ and plastic stopper,	
		conformity certificate	98
D		FLASK VOLUMETRIC with rim, without stopper, class A	95
DESICCATOR with glass knob	71	FLASK VOLUMETRIC with rim, without stopper, class B	95
DESICCATORS with nz 24/29 and valve	72	FLASK VOLUMETRIC with SJ and glass stopper, class A	96
DESICCATOR VALVES	74	FLASK VOLUMETRIC with SJ – brown and brown glass stopper	96
DISCS SINTERED, FLATGROUND ground edges	132	FLASK VOLUMETRIC with SJ and glass stopper,	
DISHES PETRI, BLOWN BORO 3.3	79	conformity certificate	97
DISHES PETRI, BLOWN, BOTTOM DIVIDED			
IN TWO PARTITIONS, BORO 3.3	80		

FLASK VOLUMETRIC with SJ and plastic stopper, class A	97
FLASK VOLUMETRIC with SJ and glass stopper, class B	99
FLASK VOLUMETRIC with SJ and plastic stopper, class B	99
FLASK VOLUMETRIC, BROWN with SJ and plastic stopper, class A	98
FLASK VOLUMETRIC, BROWN with SJ and plastic stopper NT, class B	100
FLASK VOLUMETRIC, SUGAR ANALYSIS two marks	100
FLASK WITH DIVIDED NECK	101
FLASK WITH FLAT BOTTOM with SJ	144
FLASK WITH ROUND BOTTOM with SJ	145
FUNNEL, ANALYTICAL for quick filtering	128
FUNNEL FILLING with short straight end	128
FUNNEL FILLING with short oblique end	129
FUNNEL, RIBBED	129
FUNNEL SEPARATOR cylindrical, open	135
FUNNEL SEPARATOR acc. to Gilson with SJ stopper and teflon SJ stopcock	136
FUNNEL SEPARATOR CONICAL, acc. to Squibb with SJ stopper and teflon SJ stopcock	137
FUNNEL SEPARATOR, with stopper SJ	135
FUNNEL SEPARATOR, CYLINDRICAL with glass stopper SJ, without graduation	138
FUNNEL SEPARATOR, CYLINDRICAL graduated	138
FUNNEL SEPARATOR, CYLINDRICAL dropping, with glass stopper SJ, without graduation	139
FUNNEL SEPARATOR, PEAR SHAPE with SJ stopper	137
FUNNELS WITH SINTERED DISC	134
FUNNEL WITH SHORT STEM angle 60°	127

G

GAS GENERATOR globe shaped bottom, with tubular fittings provided with SJ	188
---	-----

H

HARDENED PVC REPUMPING SIPHON	207
HOFMAN HOSE CLAMP	206
HOLDER WITHOUT CLAMP	200
HOSE CONNECTION BENT (45°) Bördelrand	165

I

IRRIGATOR barrel shaped, tubulated near bottom, with knob	31
IRRIGATOR barrel shaped, tubulated near bottom	32

J

JARS SPECIMEN, CYLINDRICAL, GROUND RIM	41
JARS SPECIMEN, FOOTED, WITH LOOSE DROP on cover, with drop	52
JARS SPECIMEN, WITH GROUND in cover, with knob	52
JOINT (adapter) NZ-GL	151

L

LAB BURNERS	199
LABORATORY STAND WITH PLATE	204
LID	194
LIDS FOR DESICCATORS with glass knob	73
LIDS FOR DESICCATORS with nz 24/29	74

M

MANOMETER GAUGE with scale, without stopcock	188
MANOMETER GAUGE with scale and stopcock	189
MANOMETER GAUGE with moveable scale, acc. Anschütz	189
MANOMETER GAUGE KRELL TYPE	190
MEASURE GRADUATED, BELL SHAPED with spout, graduated	115
MEASURE GRADUATED, CONICAL with graduation and handle	117
MEASURE GRADUATED, CONICAL with glass base and graduation	116
MEASURE GRADUATED, CYLINDRICAL with graduation and handle	116
MICROBURETTE Bang, straight bore stopcock	112
MICROBURETTE Bang, lateral stopcock	113
MORTARS WITH POROUT AND PESTLE, INSIDE GLAZED	54
MORTARS WITH POROUT AND PESTLE, INSIDE ROUGH	54

N

NZ CONE	149
---------	-----

O

OUTLET RING	24
OUTLET RING GL 80	20

P

PIPETTE AUTOMAT. KIPP WITH BOTTLE SJ 29/32	67
PIPETT, GRADUATED for full outflow, QUALICOLOR, COLOR CODE, CLASS AS	119
PIPETT, NOT GRADUATED extended design with two scale lines, QUALICOLOR, COLOR CODE, CLASS AS	118
PORCELAIN PLATE to desiccators	75
PTFE PROTECTION FILM with hole	166
PTFE PROTECTION FILMS without hole	166
PUMP, WATERJET	180

R

REACTION KETTLE	192
REAGENT BOTTLE -1/+1,5 bar	29
REAGENT BOTTLE with blue PP cap with blue PP outlet ring	21
REAGENT BOTTLE brown, with blue PP cap and blue PP outlet ring	22
REAGENT BOTTLE outlet GL32 + cock (PTFE)	32

REAGENT BOTTLE for common use	33	STOPCOCK, T- BORE, COMPLETE with PTFE key, T-bore	162
REAGENT BOTTLE for common use, wide mouth, brown	33	STOPCOCK, V- BORE, COMPLETE with glass key, V-bore	161
REAGENT BOTTLE for common use	34		
REAGENT BOTTLE for common use	34		
REAGENT BOTTLE, PLASTIC COATED			
PU-polyurethane Provided with well-legible scale and large field for description (indication of the content).	28		
REAGENT BOTTLES with GL80, with blue PP cap, with blue PP pouring ring	19		
REAGENT BOTTLE with GL45, with red PP cap, with red PP outlet ring	23		
REAGENT BOTTLE with GL80, with blue PP cap, with blue PP outlet ring	19		
REDUCTION, INVERTED socket/cone	152		
REVERSE VALVE, STRAIGHT	64		
ROUND FLASK DN100	191		
S			
SAMPLE SET FOR GAS	67		
SCREW CAP	23		
SCREW CAP with two hose connections	27		
SCREW CAP	164		
SCREW CAP GASKET			
GL45 200°C, D43	24		
SCREW CAP GL 80	20		
SCREW ERLENMEYER FLASKS WITH GL THREADS AND SCREW CUP	43		
SCREW FITTING	26		
SCREW FITTING	27		
SCREW-TYPE JOINT	28		
SEALING O-RING, SILICONE FEP, plastic coated, red	195		
SEALING O-RING, SILICONE transparent	195		
SEALING RING, SILICONE with hole	167		
SEALING RING, SILICONE without hole	167		
SECURITY FUNNEL SJ 29/32	157		
SJ SOCKET extended	149		
SLEEVE NUT	164		
SPECIMEN JARS WITH RIM	51		
SPLASH HEAD	156		
SPLASH HEAD VERTICAL with separatory dropping funnel	155		
STANDARD JOINT straight, socket	150		
STEAM-JACKETED KETTLE with outlet GL25	191		
STILLHEAD WITH SJ 14/23 for thermometer	156		
STIRRER with movable wings	192		
STIRRER with fixed wings	193		
STOPCOCK, BURETTE with PTFE cone	163		
STOPCOCK FOR BELL JARS, SJ	56		
STOPCOCK, STRAIGHT with PTFE cone	162		
STOPCOCK, STRAIGHT BORE, COMPLETE with glass key	159		
STOPCOCK, STRAIGHT BORE, COMPLETE with PTFE key	160		
STOPCOCK, T- BORE, COMPLETE with glass key, T-bore	161		
STOPCOCK, T- BORE, COMPLETE with glass key, T-bore	160		
T			
TEST TUBE HOLDER	206		
TEST TUBES FOR SAMPLES WITH FROSTED LABEL and with sj stopper, with marked label	87		
TEST TUBES GRADUATED with sj 14/15 and glass stopper	83		
TEST TUBES WITH CONICAL BOTTOM, WITHOUT RIM	85		
TEST TUBES WITH CONICAL BOTTOM, WITH RIM	85		
TEST TUBES WITH METAL CAP, ROUND BOTTOM	87		
TEST TUBES WITHOUT RIM round bottom	83		
TEST TUBES WITH RIM, GRADUATED	82		
TEST TUBES WITH RIM, ROUND BOTTOM	84		
TEST TUBES WITH ROUND BOTTOM and with screw gl	86		
TITRATION APPARATUS Pellet, with lateral stopcock, automatic zero adjustment and reservoir bottle with rubber ball	114		
TITRATION APPARATUS Pellet, with discharging and by-pass cock, reservoir bottle with rubber ball	114		
TITRATION APPARATUS, PELLETS with stopcock, with glass key, QUALICOLOR, CLASS AS	122		
TITRATION APPARATUS, PELLET with stopcock, with by-pass cock, with glass key, QUALICOLOR, CLASS AS	123		
tube gas collecting with one straight bore, stopcock and with one three ways stopcock	66		
TUBE GAS COLLECTING, WITH TWO HOSE CONNECTIONS	66		
TUBES CENTRIFUGE graduated	82		
TUBE, U-SHAPED, WITH TWO SIDE ARMS	65		
TUBE WITH GL THREAD	150		
U			
UNIVERSAL BUNSEN STAND	205		
URINE MEASURE graduated	117		
U-TUBES	64		
W			
WASHING BOTTLES, COMPLETE, SJ 29/32	56		
without graduation	106		
Wouff bottles with neck and outlet	59		
WATCH GLASS DISH	50		

ALPHABETISCHER INDEX NACH NAME

A

ABDAMPFSCHALEN mit rundem Boden, und Ausguß	49
ABDAMPFSCHALEN mit flachem Boden, und Ausguß	49
ABKLÄRFLASCHEN mit NS – Stopfen und NS – Hahn am Boden	59
ANALYSETRICHTER für schnelle Filtration	128
APPARAT FÜR WASSERREDESTILLATION	171
Apparat nach Winkler zur Wasserbestimmung	190
AUFSÄTZE FÜR GASWASCHFLASCHEN nach Drechsler, NS 29/32	63
AUFSÄTZE FÜR GASWASCHFLASCHEN nach Drechsler	61
AUSGIESSRING	24
AUSGIEßRING GL 80	20
AUTOMATISCHE BÜRETTE nach Pellet mit Hahn, Gummiballon und Vorratsflasche	114
AUTOMATISCHE BÜRETTE nach Pellet mit Hahn, Vorratsflasche mit NS 29/32, mit Gummiballon und Auslaufhahn zwischen Burette und Flasche	114
AUTOMATISCHE BÜRETTE NACH PELLETT mit Hahn mit Glashammer, QUALICOLOR, AS KLASSE	122
AUTOMATISCHE BÜRETTE NACH PELLETT mit Hahn, Auslaufhahn, Glashammer, QUALICOLOR, AS KLASSE	123

B

BATTERIEGLÄSER runde Form, Rand abgeschliffen	41
BECHER niedrige Form mit Ausguß	39
BECHER hohe Form, mit Ausguß	40
BECHER niedrige Form, mit Ausguß, und Henkel	40
BUNSEN-UNIVERSALGESTELL	205
BÜRETTE	122
BÜRETTE MIT DIREKTEM HAHN mit Teflonhammer, QUALICOLOR, AS KLASSE	120
BÜRETTE MIT DIREKTEM HAHN mit Teflonhammer, mit Schellbach-Streifen, QUALICOLOR, AS KLASSE	120
BÜRETTE MIT DIREKTEM HAHN mit Glashammer, QUALICOLOR, AS KLASSE	121
BÜRETTE MIT DIREKTEM HAHN mit Glashammer, mit Schellbach-Streifen, QUALICOLOR, AS KLASSE	121
BÜRETTFENLASCHE klar	115
BÜRETTEHALTER	201
BÜRETTEVENTIL mit PTFE-Kegel	163

C

CLAISEN-DESTILLIERAUFSÄTZE mit NS	158
-----------------------------------	-----

D

DECKEL	194
DESINFektionSSCHALE	51
DESTILLATIONSKOLBEN mit rundem Boden und zwei NS - Seitenhalsen	147
DESTILLIERAPPARAT nach Markuson mit Tropfenfänger	182
DESTILLIERAUFSATZ mit senkrechter Abzweigung	158

DESTILLIERAUFSATZ mit senkrechter Abzweigung	159
DESTILLIERBRÜCKE mit Thermometerhülse NS 14/23	156
DESTILLIER-TROPFENFÄNGER mit NS	155
DICHTUNG DES SCHRAUBVERSCHLUSSES - KAPPE GL 45	24
DIMROTH-KÜHLER für Extraktor	178
DOSIERER	35
DREIFUß ZUM KOCHEN	205
DREIWEHHAHN KOMPLETT mit Glashammer, T-Bohrung	160
DREIWEHHAHN KOMPLETT mit Glashammer, V-Bohrung	161
DREIWEHHAHN KOMPLETT mit Glashammer, V-Bohrung	161
DREIWEHHAHN KOMPLETT mit PTFE-Hammer, T-Bohrung	162
DRUCKLABORFLASCHE -1/+1,5 bar	29
DUPLIKATORGEFÄß DN100 mit Auslaß GL 25	191

E

EINWEHHAHN KOMPLETT mit Glashammer	159
EINWEHHAHN KOMPLETT mit PTFE-Hammer	160
ENGER-KOLBEN mit angeschmolzenem Rohr in der Mitte des Halses	47
ERLENMEYER-KOLBEN	42
ERLENMEYER-KOLBEN weithalsig	43
ERLENMEYER-KOLBEN mit GL-Gewinde	43
ERLENMEYER-KOLBEN mit GL 45	88
ERLENMEYER-KOLBEN mit NS	143
ERLENMEYER-KOLBEN MIT SCHIKANEN mit GL 45	89
EXSIKKATOR mit Glasknopfdeckel	71
EXSIKKATOR mit NS 24/29 und Ventil	72
EXSIKKATORDECKEL mit Glasknopf	73
EXSIKKATORDECKEL mit NS 24/29	74
EXSIKKATORUNTERTEIL	73
EXSIKKATORVENTIL	74
EXTRAKTOR nach Twiselmann	183
EXTRAKTOR nach Soxhlet mit Allihn-Kühler	179
EXTRAKTOR nach Soxhlet mit Allihn-Kühler und Filterplatte	180
EXTRAKTORAUFSATZ nach Soxhlet	183

F

FILTRATIONSEINRICHTUNG mit Zubehör	139
FILTRIERRINGE	203
FRAKTIONNIERKOLBEN mit angeschmolzenem Rohr im unteren Drittel des Halses	46
FRAKTIONNIERKOLBEN mit angeschmolzenem Rohr in der Mitte des Halses	47
FRITTENNUTSCHE	134
Fritten – Waschflasche Typische Verwendung: Reinigung (Waschen) von Gas.	63

G			
Gassammelröhre mit zwei Oliven	66	KÜHLROHR	184
Gassammelröhre mit einem Einweg und einem Dreiweghahn	66	KULTURFLASCHE NACH ROUX Hals in der Mitte	89
Gassammelröhre	67	KULTURFLASCHE NACH ROUX Hals in der Mitte, für Schliff vorbereitet	90
GASWASCHFLASCHEN nach Drechsler	61	KULTURFLASCHE NACH ROUX mit Seitenhals	90
GASWASCHFLASCHEN nach Drechsler	62	KULTURFLASCHE NACH ROUX Hals exzentrisch, für Schliff vorbereitet	91
GASWASCHFLASCHEN nach Drechsler, NS 29/32	62	KULTURFLASCHEN NACH BLACK Flasche eckig mit NS.	91
GEWINDEVERBINDUNGSSTÜCK GL	150	KUNSTSTOFFBESCHICHTETE LABORFLASCHE PU-Polyurethan Mit einem gut lesbaren Beschriftungsfeld für die Beschriftung.	28
GLASDOSEN mit übergreifendem Knopfdeckel	50		
GLASFILTERTIEGEL konische Form	133	L	
GLASHÄHNE mit NS für Glocken	56	LABORBRENNER	199
GLOCKEN mit Knopf und Flansch	55	LABORFLASCHE mit PP blauer Kappe und PP Ring	21
GLOCKEN mit NS Hals und Flansch	55	LABORFLASCHE braun, mit PP blauer Kappe und PP Ring	22
		LABORFLASCHE Bodentubus GL32 + Hahn PTFE	32
		LABORFLASCHE für normale Verwendung mit breitem Hals, klar	33
		LABORFLASCHE für normale Verwendung mit breitem Hals, braun	33
H		LABORFLASCHE ENGHALSIG mit geschliffenem Stopfen, SIMAX - weiß	30
HALTER OHNE KLEMME	200	LABORFLASCHE FÜR NORMALE VERWENDUNG mit engem Hals, klar	34
HEMPEL-DESTILLIERKOLONNE mit Isoliermantel und Raschigringfüllung	179	LABORFLASCHE FÜR NORMALE VERWENDUNG mit engem Hals, braun	34
HOFMANS QUETSCHHAHN	206	LABORFLASCHE MIT GL 45 mit PP roter Kappe und PP Ring	23
		LABORFLASCHE MIT GL80 mit PP blauer Kappe und PP Ring	19
		LABORFLASCHE MIT GL80 mit PP blauer Kappe und PP Ring	19
I		LABORFLASCHE WEITHALSIG mit eingeschliffenem Stopfen, SIMAX - weiß	31
IRRIGATOR Tonnenförmig mit deckel und bodentubus	31	LABORSTÄNDER MIT PLATTE	204
IRRIGATOR Tonnenförmig mit deckel Hahn und Bodentubus	32	LIEBIG-KÜHLER ohne Schliff	171
		LIEBIG-KÜHLER mit NS-Kern	172
		LIEBIG-KÜHLER mit zwei NS	173
K			
Kipp – Apparate mit halbkugelförmigem Unterteil und NS – Zubehör (Sicherheitsrohr und NS Hahn)	188	M	
Kipp-Automat mit NS 29/32 und mit Vorratsflasche	67	Manometer mit Skala, ohne Hahn	188
KJELDAHL-kolben	46	Manometer mit Skala und Hahn	189
KLEMMEN FÜR NS	163	Manometer mit verschiebbarer Skala	189
KOCHRINGE	203	Manometer nach Krell	190
KOLBEN mit rundem Boden und einem NS – Seitenhals	148	MENSUREN GRADUIERT, GLOCKENFÖRMIG mit Ausguss	115
KOLBEN, HERZFÖRMIG mit NS	146	MENSUREN MIT TEILUNG KONISCH mit Glasfus	116
KOLBEN MIT TEILUNG IM HALS	101	MESSKOLBEN mit NS – Glasstopfen, Klasse A	96
KOLBEN, TROPFENFÖRMIG mit NS	147	MESSKOLBEN Rand aufgetrieben, ohne Stopfen, Klasse A	95
KPG-LAGER für Rührwerke mit NS	193	MESSKOLBEN braun mit NS, mit braunem Glasstopfen	96
KPG-LAGER für Rührwerke	194	MESSKOLBEN mit NS und Glasstopfen, Konformität – Zertifikat	97
KREISFÖRMIGE FRITTENPLATTEN, RUNDGESCHLIFFEN	132	MESSKOLBEN mit NS und Kunststoffstopfen, Klasse A	97
KREUZKLEMME	204	MESSKOLBEN braun, mit NS und Kunststoffstopfen, Klasse A	98
KRISTALLIERSCHALEN ohne Ausguß	48	MESSKOLBEN mit NS und Kunststoffstopfen, Konformität – Zertifikat	98
KRISTALLIERSCHALEN mit Ausguß	48	MESSKOLBEN mit NS und Glasstopfen, Klasse B	99
KUGELKÜHLER Allihn-Kühler, ohne Schliff	174	MESSKOLBEN mit NS und Kunststoffstopfen, Klasse B	99
KUGELKÜHLER Allihn-Kühler mit NS-Kern	174		
KUGELKÜHLER Allihn-Kühler mit zwei NS	175		
KUGELKÜHLER für Extraktor	175		
KUGELKÜHLER Allihn-Kühler mit gekühltem NS-Kern und Hülse	186		
KÜHLER mit zwei NS	172		
KÜHLERHALTER	202		

MESSKOLBEN, Rand aufgetrieben, ohne Stopfen, Klasse B	95
MESSKOLBEN BRAUN mit NS und Kunststoffstopfen, Klasse B	100
MESSKOLBEN FÜR ZUCKERINDUSTRIE mit zwei Marken	100
MESSKRÜGE mit Teilung, zylindrisch, mit Henkel	116
MESSKRÜGE mit Teilung, konisch, mit Henkel	117
MESSZYLINDER ohne Graduierung	106
MESSZYLINDERHOHE FORM mit Sechskantfuß und Ausguß, braun graduiert, Klasse B	105
MESSZYLINDER HOHE FORM mit Sechskantfuß und Ausguß, Ringteilung, blau graduiert, Klasse A	103
MESSZYLINDER HOHE FORM mit Sechskantfuß und Ausguß, weiß graduiert, Klasse B	104
MESSZYLINDER HOHE FORM braun graduiert	105
MESSZYLINDER NIEDRIGE FORM mit Sechskantfuß und Ausguß, weiß graduiert, Klasse B	106
MESSZYLINDER NIEDRIGE FORM mit Sechskantfuß und Ausguß, braun graduiert, Klasse B	107
MESSZYLINDER NIEDRIGE FORM mit Sechskantfuß und Ausguß, ohne Graduierung	107
MIKROBÜRETTE nach Bang mit geradem Hahn	112
MIKROBÜRETTE nach Bang mit seitlichem Hahn	113
MIKRO-KOLBEN mit NS, runderförmig	146
MISCHZYLINDER mit NS – Glasstopfen, Ringteilung, blau graduiert, Klasse A	108
MISCHZYLINDER mit NS – Kunststoffstopfen, blau graduiert, Klasse A	108
MISCHZYLINDER hohe Form, mit Sechskantfuß und NS – Glasstopfen, Ringteilung, weiß graduiert, Klasse B	109
MISCHZYLINDER hohe Form, mit Sechskantfuß und NS – Kunststoffstopfen, Ringteilung, weiß graduiert, Klasse B	109
MISCHZYLINDER hohe Form, mit Sechskantfuß und NS – Glasstopfen, Ringteilung, braun graduiert, Klasse B	110
MISCHZYLINDER hohe Form, mit Sechskantfuß und NS – Kunststoffstopfen, Ringteilung, braun graduiert, Klasse B	110
MIT DIREKTEM HAHN mit Glashammer, QUALICOLOR, KLASSE B	122
MÖRSER mit Pistill und Ausguß, innen rau	54
MÖRSER mit Pistill und Ausguß, innen glatt	54
N	
NORMSCHLIFF - HÜLSE	149
NORMSCHLIFF – HÜLSE gerade	150
NORMSCHLIFF-KERN	149
NORMSCHLIFF - ÜBERGANGSSTÜCK (kleine Hülse auf großem Kern)	151
NS-ÜBERGANGSSTÜCKE (große Hülse auf kleinem Kern)	152
O	
OLIVE GEBOGEN (45°) mit Dichtung	165
OLIVE GERADE mit Dichtung	165
ÖLUNTERSUCHUNGSAPPARAT zur Bestimmung des Gehaltes an ätherischen Ölen	184
O-RING AUS SILIKON kunststoffbeschichtet FEP, rot	195
O-RING AUS SILIKON transparent	195

P	
PETRISCHALE mundgeblasen BORO 3.3	79
PETRISCHALE mundgeblasen, mit Halbtteilung BORO 3.3	80
PETRISCHALE mundgeblasen, mit Drittelteilung BORO 3.3	80
PETRISCHALE mundgeblasen, mit Viertelteilung BORO 3.3	81
PETRISCHALE Kalk-Soda-Glas	81
PHILIPS-BECHER niedrige Form, mit Ausguß	41
PIPETTE GETEILT für Vollausguß, QUALICOLOR, COLOR CODE, AS KLASSE	119
PIPETTE NICHT GETEILT breite Ausführung mit zwei Strichen, QUALICOLOR, COLOR CODE, AS KLASSE	118
PORZELANPLATTE für Exsikkator	75
PRALLGERÄT ZUR STAUBBESTIMMUNG in der Luft - Impinger 30ml	181
PRALLGERÄT ZUR STAUBBESTIMMUNG in der Luft - Impinger 50ml	181
PRALLGERÄT ZUR STAUBBESTIMMUNG in der Luft - Impinger 100ml	182
PRÄPARATENZYLINDER mit Bördelrand	51
PRÄPARATENZYLINDER mit überfallendem Rand	52
PRÄPARATENZYLINDER mit eingeschlifftem Deckel	52
PULVERTRICHTER mit kurzem, gerade Stiel	128
PULVERTRICHTER mit kurzem, schräge Stiel	129
PYKNOMETER NACH GAY-LUSSAC	101
PYKNOMETER NACH REISCHAUER mit Teilung	102

R	
REAGENZGLÄSER	82
REAGENZGLÄSER FÜR PROBEN mit Mattschild und NS Stopfen	87
REAGENZGLÄSER, GRADUIERT mit Glasstopfen, NS 14/15	83
REAGENZGLÄSER MIT RUNDEM BODEN und GL-Gewinde	86
REAGENZGLÄSER MIT RUNDEM BODEN Rand gerade	83
REAGENZGLÄSER MIT RUNDEM BODEN	84
REAGENZGLÄSER MIT RUNDEM BODEN und Metallverschluss	87
REAGENZGLÄSER MIT SPITZBODEN, konisch, Rand gerade	85
REAGENZGLÄSER MIT SPITZBODEN, konisch, Rand gerade	85
REAGENZGLASHALTER	206
REAKTIONSGEFÄß	192
RIPPENTRICHTER	129
Rücklauf – Schraubenkühler	187
nach Friedrichs mit NS Kern und schrägem Vorstoß mit NS Hülse	187
Rücklauf – Schraubenkühler nach Friedrichs mit NS Kern und senkrechtem Vorstoß mit NS Hülse	187
Rückschlagventil, gerade	64
RÜHRWERK mit festen Flügeln	192
RÜHRWERK mit festen Flügeln	193
RUNDKOLBEN mit NS	145
RUNDKOLBEN DN100	191

S			
SAUGFLASCHEN mit Kunststoff – Olive und Kunststoff – Tubus	130	TROPFFLASCHEN mit austauschbarer Pipette NS, braun	60
SAUGFLASCHEN mit Glas – Oliven	131	Tropftrichter, zylindrisch mit NS – Glasstopfen, ungraduiert	139
SAUGREAGENZGLÄSER	88	Ü	
SCHEIDETRICHTER BIRNENFÖRMIG mit NS – Stopfen	137	ÜBERGANGSSTÜCKE mit NS-Kern, mit gebogenem Röhrchen	152
SCHEIDETRICHTER, KUGELFÖRMIG Mit NS - Stopfen	135	ÜBERGANGSSTÜCKE mit NS-Kern, Hahn, mit gebogenem Röhrchen	153
SCHEIDETRICHTER NACH GILSON mit NS – Stopfen und NS – Teflonhahn	136	ÜBERWURFMUTTER	164
SCHEIDETRICHTER NACH SQUIBB KEGELFÖRMIG mit NS – Stopfen und NS – Teflonhahn	137	U	
SCHEIDETRICHTER, ZYLINDRISCH offene form	135	UMPUMP-SAUGHEBER AUS NOVODUR	207
SCHEIDETRICHTER, ZYLINDRISCH mit NS – Glasstopfen, ungraduiert	138	URIN – MESSKRÜGE graduiert	117
SCHEIDETRICHTER, ZYLINDRISCH graduiert	138	U – RÖHRE	64
SCHLANGENKÜHLER nach Dimroth mit NS-Kern	176	U – RÖHRE MIT ZWEI SEITENRÖHREN	65
SCHLANGENKÜHLER ohne Schliff	173	V	
SCHLANGENKÜHLER nach Dimroth mit zwei NS	177	VENTIL DIREKT mit PTFE-Kegel	162
SCHLANGENKÜHLER mit zwei NS	177	VERBINDUNGSRÖHRE, T - FORM mit Oliven	65
SCHLANGENKÜHLER mit gekühltem NS-Kern und Hülse	186	VERBINDUNGSSTÜCK NS – GL	151
SCHLANGENKÜHLER ZUR REDESTILLIERUNG	185	VERBINDUNGSSTÜCK IM WINKEL VON 75° mit zwei Normschliffkernen	153
SCHRAUBENKÜHLER nach Friedrichs, mit Seitenzuführung, mit NS-Kern	178	VERBINDUNGSSTÜCK IM WINKEL VON 75° mit Normschliffkern und Normschliffhülse	154
SCHRAUBVERBINDUNG AUS PBT	28	VERBINDUNGSSTÜCK IM WINKEL VON 90° mit Normschliffkern und Normschliffhülse	154
SCHRAUBVERSCHLUSS - KAPPE	23	VERSCHRAUBUNG	26
SCHRAUBVERSCHLUSS - KAPPE mit 2 Oliven für Schläuche	27	VERSCHRAUBUNG	27
SCHRAUBVERSCHLUSS - KAPPE	164	VORRATSFLASCHE für Injektionsseren	30
SCHRAUBVERSCHLUSS - KAPPE GL 80	20	W	
SCHUTZFOLIE PTFE mit Öffnung	166	WÄGEGLÄSER mit eingeschliffenem Stopfen, niedrige Form, NS	53
SCHUTZFOLIE PTFE ohne Öffnung	166	WÄGEGLÄSER mit eingeschliffenem Stopfen, hohe Form, NS	53
SEDIMENTIERGEFÄSSE nach Imhoff, geschlossene Spitze	111	WASSERSTRAHPUMPE	180
SEDIMENTIERGEFÄSSE nach Imhoff, mit Hahn	111	WEST-KÜHLER mit zwei NS	176
SEDIMENTIERGEFÄSSE nach Imhoff, Spitze mit Olive	112	WEST-KÜHLER	185
SICHERUNGSTRICHTER NS 29/32	157	WOULFFSCHE FLASCHEN mit drei NS Hälsen	57
SILIKONDICHTUNGSRING mit Öffnung	167	WOULFFSCHE FLASCHEN mit zwei NS Hälsen	58
SILIKONDICHTUNGSRING ohne Öffnung	167	WOULFFSCHE FLASCHEN mit drei NS Hälsen und Bodentubus	58
SPIRITUSLAMPE mit Kappe und Docht	57	WOULFFSCHE FLASCHEN mit Hals und Bodentubus	59
SPRITZFLASCHEN komplett, NS 29/32	56	Z	
SPRITZROHRAUFSATZ NS 29/32 mit Gummiverbindung	157	ZENTRIFUGENGLÄSER graduiert	82
STEHKOLBEN	44	ZENTRIFUGENGLÄSER MIT SPITZBODEN, Rand gerade	86
STEHKOLBEN weithalsig, mit Bördelrand	44		
STEHKOLBEN enghalsig, mit Bördelrand	45		
STEHKOLBEN mit NS	144		
STRASSEN-PYKNOMETER mit Aufsatz und Trichter	102		
STUNDENGLÄSER	50		
SULFONATIONSKOLBEN mit drei NS – Seitenhalsen	148		
T			
TRICHTER IM WINKEL VON 60° mit kurzem Stiel	127		
TROPFENFÄNGER mit Brücke und graduiertem Tropftrichter	155		
TROPFENFÄNGER	156		
TROPFFLASCHEN mit austauschbarer Pipette NS, klar	60		

INDEX ACCORDING TO THE CATALOG NUMBER / INDEX NACH DER KATALOGNUMMER

Cat. No. 2080 M	19	Cat. No. 2070 KPP	24	1632414144956	31
1632414812500	19	9180002313	24	1632414144966	31
1632414812940	19	9180003432	24		
1632414812950	19	9180003762	24	Cat. No. 827	31
1632414812956	19	9180003417	24	1632415603952	31
				1632415603956	31
		9180003424	24	1632415603966	31
				1632415603968	31
Cat. No. 2080 M/H	19	N555D593-02	26		
1632414825500	19	N555D593-04	26	Cat. No. 827 R	32
1632414825940	19	N555D593-06	26	1632415623952	32
1632414825950	19	N555D593-26	26	1632415623956	32
1632414825956	19	N555D593-10	26	1632415623966	32
		N555D593-30	26	1632415623968	32
Cat. No. 2080 UPP	20	N555D593-12	26		
9180002271	20	N555D590-02	26	Cat. No. 2070 V	32
		N555D590-10	26	1632414900940	32
Cat. No. 2080 KPP	20	N555D590-08	26	1632414900950	32
9180002272	20	N555D590-20	26	1632414900956	32
		N555D590-04	26	1632414900966	32
		N555D590-12	26		
Cat. No. 2070 M	21	N555D590-06	26	Cat. No. 2014 B	33
1632414501050	21	N555D590-14	26	N555414127050	33
1632414321100	21	N555D590-16	26	N555414127100	33
1632414321250	21	N555D590-18	26	N555414127250	33
1632414321500	21			N555414127500	33
1632414321940	21	N555D612-08	27	N555414127940	33
1632414321950	21	N555D613-08	27		
1632414321954	21			Cat. No. 2014 H	33
1632414321956	21	N555D800-24	27	N555414227050	33
1632414321966	21	N555D800-36	27	N555414227100	33
1632414321968	21	N555D800-48	27	N555414227250	33
				N555414227500	33
		N555H901-01	28	N555414227940	33
Cat. No. 2070 H	22	N555H901-02	28	N555414227950	33
1632414511050	22	N555H901-03	28		
1632414345100	22	N555H901-04	28	Cat. No. 2010 B	34
1632414345250	22	N555H901-05	28	N555414126050	34
1632414345500	22			N555414126100	34
1632414345940	22	N555414321100	28	N555414126250	34
1632414345950	22	N555414321250	28	N555414126500	34
1632414345954	22	N555414321500	28	N555414126940	34
1632414345956	22	N555414321940	28	N555414126950	34
1632414345966	22	N555414321950	28		
1632414345967	22			Cat. No. 2010 H	34
1632414345968	22	Cat. No. 2070 T	29	N555414226050	34
1632414345969	22	1632414491940	29	N555414226100	34
		1632414491950	29	N555414226250	34
				N555414226500	34
Cat. No. 2070 R	23	Cat. No. 3125	30	N555414226940	34
1632414321101	23	1632511101250	30	N555414226950	34
1632414321251	23	1632511101500	30		
1632414321501	23	1632511101940	30	N555439000002	35
1632414321941	23	1632511101950	30	N555439000005	35
1632414321951	23	1632511101956	30	N555439000010	35
1632414321955	23	1632511101966	30	N555439000030	35
1632414321957	23	1632511101968	30	N555439000060	35
1632414321967	23			N555439000100	35
1632414321969	23	Cat. No. 2002 B	30		
		1632414142956	30	Cat. No. 155	39
Cat. No. 2070 UPP	23	1632414142966	30	1632411010005	39
9180002314	23			1632411010010	39
9180003430	23	Cat. No. 2006 B	31	1632411010025	39
9180003444	23			1632411010050	39
9180003445	23				
9180003446	23				
9180003421	23				

1632417010100	39	1632417119500	42		
1632417010150	39	1632417119940	42	Cat. No. 41 A	46
1632417010250	39	1632417119950	42	1632425220025	46
1632417010400	39	1632411119952	42	1632425220050	46
1632417010600	39	1632411119956	42	1632425220100	46
1632417010800	39	1632411119968	42	1632425220250	46
1632417010940	39	Cat. No. 25	43	1632425220500	46
1632417010950	39	1632411106025	43	1632425220940	46
1632417010952	39	1632411106050	43		
1632417010956	39	1632417106100	43	Cat. No. 41 B	47
1632411010966	39	1632417106200	43	1632425221025	47
1632411010968	39	1632417106250	43	1632425221050	47
		1632417106300	43	1632425221100	47
Cat. No. 153	40	1632417106500	43	1632425221250	47
1632411012025	40	1632417106940	43	1632425221500	47
1632411012050	40	1632417106950	43	1632425221940	47
1632411012100	40				
1632411012150	40	Cat. No. 8023 C	43	Cat. No. 42	47
1632417012250	40	1632426731100	43	1632425223100	47
1632417012400	40	1632426731250	43	1632425223125	47
1632417012600	40	1632426731500	43	1632425223250	47
1632417012800	40	1632426731940	43		
1632417012940	40			Cat. No. 174	48
1632417012950	40	Cat. No. 10	44	1632411624040	48
1632411012952	40	1632411117050	44	1632411624050	48
		1632417117100	44	1632411624060	48
Cat. No. 154	40	1632417117250	44	1632411624070	48
1632417011250	40	1632417117500	44	1632411624080	48
1632417011400	40	1632411117940	44	1632411624095	48
1632417011600	40	1632411117950	44	1632411624115	48
1632417011940	40	1632411117954	44	1632411624140	48
		1632411117958	44	1632411624190	48
Cat. No. 161	41	1632411117966	44	1632411624230	48
1632411006150	41				
1632411006250	41	Cat. No. 18	44	Cat. No. 175	48
1632411006500	41	1632411103050	44	1632411625040	48
1632411006940	41	1632411103100	44	1632411625050	48
		1632411103250	44	1632411625060	48
Cat. No. 2500	41	1632411103500	44	1632411625070	48
1632416310612	41	1632411103940	44	1632411625080	48
1632416311010	41	1632411103950	44	1632411625095	48
1632416311015	41	1632411103954	44	1632411625115	48
1632416311020	41	1632411103958	44	1632411625140	48
1632416311212	41	1632411103966	44	1632411625190	48
1632416311221	41			1632411625230	48
1632416311225	41	Cat. No. 15	45		
1632416311432	41	1632411205050	45	Cat. No. 177	49
1632416311515	41	1632411205100	45	1632411604050	49
1632416311520	41	1632411257250	45	1632411604060	49
1632416311525	41	1632411257500	45	1632411604080	49
1632416311632	41	1632411257940	45	1632411604100	49
1632416312020	41	1632411205950	45	1632411604130	49
1632416312025	41	1632411205954	45	1632411604160	49
1632416312030	41	1632411205956	45	1632411604200	49
1632416312040	41	1632411205958	45	1632411604230	49
1632416312448	41	1632411205966	45		
		1632411205968	45	Cat. No. 179	49
Cat. No. 24	42			1632411629040	49
1632411119025	42	Cat. No. 51	46	1632411629050	49
1632417119050	42	1632411210050	46	1632411629060	49
1632417119100	42	1632411210100	46	1632411629070	49
1632417119200	42	1632411210250	46	1632411629080	49
1632417119250	42	1632411210500	46	1632411629095	49
1632417119300	42	1632411210940	46	1632411629115	49

1632411629140	49	1632416151515	52	1632426101500	56
1632411629190	49	1632416151550	52	1632426101940	56
1632411629230	49				
Cat. No. 170	50	Cat. No. 2602 N	53	Cat. No. 2162	57
00001P13100-00016	50	1632421202343	53	1632534104050	57
00001P13100-00017	50	1632421202503	53	1632534104100	57
00001P13100-00018	50	1632421202505	53	1632534104200	57
00001P13100-00019	50	1632421202603	53		
00001P13100-00020	50	1632421202604	53	Cat. No. 2030	57
00001P13100-00021	50	1632421202605	53	1632415043500	57
00001P13100-00022	50	1632421202803	53	1632415043940	57
00001P13100-00023	50	1632421202804	53	1632415043950	57
00001P13100-00024	50			1632415043956	57
00001P13100-00025	50	Cat. No. 2602 V	53	1632415043966	57
00001P13100-00026	50	1632421202244	53	1632415043967	57
00001P13100-00027	50	1632421202305	53		
00001P13100-00128	50	1632421202306	53	Cat. No. 2032	58
00001P13100-00028	50	1632421202347	53	1632415042500	58
00001P13100-00029	50	1632421202408	53	1632415042940	58
00001P13100-00030	50	1632421202507	53	1632415042950	58
00001P13100-00031	50			1632415042956	58
		Cat. No. 2230	54	1632415042966	58
Cat. No. 2205	50	1632538160080	54	1632415042967	58
1632516001100	50	1632538160100	54		
1632516001120	50	1632538160120	54	Cat. No. 2034	58
1632516001150	50	1632538160150	54	1632415045500	58
1632516001200	50	1632538160200	54	1632415045940	58
1632516001250	50			1632415045950	58
		Cat. No. 2231	54	1632415045956	58
Cat. No. 3250	51	1632538150080	54	1632415045966	58
1632531121202	51	1632538150100	54	1632415045967	58
1632531121203	51	1632538150120	54		
1632531121204	51	1632538150150	54	Cat. No. 2035	59
1632531121205	51	1632538150200	54	1632415041500	59
				1632415041940	59
Cat. No. 2704	51	Cat. No. 2873	55	1632415041950	59
1632416810516	51	1632415501152	55	1632415041956	59
1632416810521	51	1632415501153	55	1632415041957	59
1632416810526	51	1632415501154	55	1632415041966	59
1632416810616	51	1632415501155	55	1632415041967	59
1632416810621	51	1632415501185	55	1632415041968	59
1632416810626	51	1632415501203	55		
1632416810631	51	1632415501204	55	Cat. No. 2038	59
1632416810831	51	1632415501205	55	1632415046500	59
		1632415501206	55	1632415046940	59
Cat. No. 2708	52	1632415501307	55	1632415046950	59
1632416130606	52			1632415046956	59
1632416130808	52	Cat. No. 2874	55	1632415046966	59
1632416131005	52	1632415502153	55	1632415046967	59
1632416131010	52	1632415502154	55	1632415046968	59
1632416131212	52	1632415502155	55		
1632416131515	52	1632415502184	55	Cat. No. 2016 B	60
1632416132020	52	1632415502203	55	1632425020050	60
1632416132525	52	1632415502205	55	1632425020100	60
1632416133030	52	1632415502206	55	1632425020250	60
		1632415502254	55		
Cat. No. 2709 NT	52	1632415502306	55	Cat. No. 2016 H	60
1632416150606	52			1632425023050	60
1632416150808	52	Cat. No. 2115	56	1632425023100	60
1632416151010	52	1632441328080	56	1632425023250	60
1632416151050	52	1632441328090	56		
1632416151212	52			Cat. No. 2451	61
1632416151250	52	Cat. No. 8047	56	1632426205500	61
		1632426101250	56		

Cat. No. 2451 N	61	1632446003010	67	1632491006120	80
1632441636111	61	1632446003020	67	Cat. No. 2298	81
Cat. No. 2450	62	1632446003025	67	1632491007080	81
1632426201100	62	1632446003030	67	1632491007100	81
1632426201250	62	1632446003050	67	1632491007120	81
1632426201500	62	Cat. No. 280 K	71	Cat. No. 2280	81
1632426201940	62	1632415280103	71	N555492002040	81
Cat. No. 2450 L	62	1632415280153	71	N555492003060	81
1632426201101	62	1632415280203	71	N555492003080	81
1632426201251	62	1632415280253	71	N555492003090	81
1632426201501	62	1632415280303	71	N555492001100	81
1632426201941	62	Cat. No. 280 T	72	N555492003100	81
Cat. No. 2450 N	63	1632415280104	72	N555492004100	81
1632441634080	63	1632415280154	72	N555492004120	81
Cat. No. 81 S	63	1632415280204	72	N555492005150	81
1632442281102	63	1632415280254	72	N555492006180	81
1632442281202	63	1632415280304	72	N555492006200	81
1632442281103	63	Cat. No. 280 S	73	N555492008200	81
1632442281203	63	1632415280100	73	Cat. No. 3822	82
Cat. No. 7805	64	1632415280150	73	1632437210819	82
1632444004000	64	1632415280200	73	1632437210821	82
Cat. No. 7754	64	1632415280250	73	1632437210823	82
1632449959927	64	1632415280300	73	Cat. No. 7832	82
Cat. No. 7576	65	Cat. No. 280 V/K	73	1632437010719	82
1632523231506	65	1632415280101	73	1632437010721	82
Cat. No. 7755	65	1632415280151	73	1632437010822	82
1632443807100	65	1632415280201	73	1632437010823	82
1632443807120	65	1632415280251	73	1632437010925	82
1632443807121	65	1632415280301	73	Cat. No. 7841	83
1632443807140	65	Cat. No. 280 V/T	74	1632437860297	83
1632443807160	65	1632415280102	74	Cat. No. 3840	83
1632443807180	65	1632415280152	74	1632422008107	83
Cat. No. 7500 GT	66	1632415280202	74	1632422010107	83
1632443611100	66	1632415280252	74	1632422010110	83
1632443611150	66	1632415280302	74	1632422012107	83
1632443611250	66	Cat. No. 280 V	74	1632422012110	83
1632443611500	66	1632442652207	74	1632422014113	83
1632443611940	66	Cat. No. 280 V/T	75	1632422016115	83
1632443611950	66	9180003206	75	1632422016116	83
Cat. No. 7500	66	9180003207	75	1632422018118	83
1632443606100	66	9180003208	75	1632422020115	83
1632443606150	66	9180003209	75	1632422020118	83
1632443606250	66	9180003210	75	1632422024115	83
1632443606500	66	Cat. No. 2290	79	1632422024120	83
1632443606940	66	1632491001058	79	1632422030120	83
1632443606950	66	1632491001071	79	Cat. No. 7830	84
Cat. No. 7501	67	1632491001076	79	1632422108107	84
1632443607250	67	Cat. No. 2296	80	1632422110107	84
Cat. No. 7365	67	1632491005080	80	1632422110110	84
1632446003001	67	1632491005100	80	1632422112107	84
1632446003002	67	1632491005120	80	1632422112110	84
1632446003005	67	Cat. No. 2297	80	1632422114113	84
		1632491006080	80	1632422114114	84
		1632491006100	80	1632422116115	84
				1632422116116	84
				1632422118115	84
				1632422118118	84

1632422120115	84	Cat. No. 70 T	90	1632431371038	96
1632422120118	84	1632411507100	90	1632431371043	96
1632422124115	84	1632411507300	90	1632431371044	96
1632422124120	84	1632411507500	90	1632431371046	96
1632422130120	84	1632411507942	90		
		1632411507950	90	Cat. No. 1503 ASC	97
Cat. No. 3820	85			1632431635018	97
1632422409210	85	Cat. No. 70 A	90	1632431635019	97
1632422414208	85	1632411503300	90	1632431635023	97
1632422416212	85	1632411503500	90	1632431635025	97
		1632411503942	90	1632431635030	97
Cat. No. 3821	85	1632411503950	90	1632431635037	97
1632422514210	85	Cat. No. 70 A/T	91	1632431635038	97
1632422514212	85	1632411508300	91	1632431635043	97
1632422515108	85	1632411508500	91	1632431635044	97
1632422515110	85	1632411508942	91	1632431635046	97
1632422516210	85				
1632422516212	85	Cat. No. 3120	91	Cat. No. 1503 APN	97
1632422517112	85	1632411510151	91	1632431622018	97
		1632411510200	91	1632431622019	97
Cat. No. 2801	86			1632431622023	97
1632422417290	86	Cat. No. 1502 A	95	1632431622025	97
1632422424290	86	1632431011018	95	1632431622030	97
1632422436290	86	1632431011019	95	1632431622037	97
1632422440211	86	1632431011023	95	1632431622038	97
		1632431011025	95	1632431622043	97
Cat. No. 3830	86	1632431011030	95	1632431622044	97
1632422631610	86	1632431011037	95	1632431622046	97
1632422631612	86	1632431011038	95		
1632422631616	86	1632431011043	95	Cat. No. 1503 APN/H	98
1632422631618	86	1632431011044	95	1632431332018	98
		1632431011046	95	1632431332019	98
Cat. No. 8547	87			1632431332023	98
1632422811621	87	Cat. No. 1502 B	95	1632431332025	98
1632422811821	87	1632431031018	95	1632431332030	98
1632422812222	87	1632431031019	95	1632431332037	98
1632422812221	87	1632431031023	95	1632431332038	98
1632422813421	87	1632431031025	95	1632431332043	98
		1632431031030	95	1632431332044	98
Cat. No. 7834	87	1632431031037	95	1632431332046	98
1632422821711	87	1632431031038	95		
1632422821712	87	1632431031043	95	Cat. No. 1503 APNC	98
		1632431031044	95	1632431634018	98
Cat. No. 7835	88	1632431031046	95	1632431634019	98
1632422831621	88			1632431634023	98
		Cat. No. 1503 AS	96	1632431634025	98
Cat. No. 8023 GL	88	1632431071018	96	1632431634030	98
1632414941250	88	1632431071019	96	1632431634037	98
1632414941500	88	1632431071023	96	1632431634038	98
1632414941940	88	1632431071025	96	1632431634043	98
1632414941950	88	1632431071030	96	1632431634044	98
		1632431071037	96	1632431634046	98
Cat. No. 8024/GL	89	1632431071038	96		
1632414931250	89	1632431071043	96	Cat. No. 1503 B5	99
1632414931500	89	1632431071044	96	1632431091018	99
1632414931940	89	1632431071046	96	1632431091019	99
1632414931950	89			1632431091023	99
		Cat. No. 1503 AS/H	96	1632431091025	99
Cat. No. 70	89	1632431371018	96	1632431091030	99
1632411502100	89	1632431371019	96	1632431091037	99
1632411502300	89	1632431371023	96	1632431091038	99
1632411502500	89	1632431371025	96	1632431091043	99
1632411502942	89	1632431371030	96	1632431091044	99
1632411502950	89	1632431371037	96	1632431091046	99

Cat. No. 1503 BPN	99	Cat. No. 1634 BB	104	1632432351544	107
1632431642018	99	1632432140718	104	1632432721746	107
1632431642019	99	1632432140819	104		
1632431642023	99	1632432140923	104	Cat. No. 1645	107
1632431642025	99	1632432141125	104	1632432330019	107
1632431642030	99	1632432141130	104	1632432330023	107
1632431642037	99	1632432141238	104	1632432330025	107
1632431642038	99	1632432141343	104	1632432330030	107
1632431642043	99	1632432141444	104	1632432330038	107
1632431642044	99	1632432141546	104	1632432330043	107
1632431642046	99			1632432330044	107
1632431642048	99				
		Cat. No. 1634 BH	105		
Cat. No. 1503 BPN/H	100	1632432150718	105	Cat. No. 1652 AMS	108
1632431342018	100	1632432150819	105	1632432210718	108
1632431342019	100	1632432150923	105	1632432210819	108
1632431342023	100	1632432151125	105	1632432210923	108
1632431342025	100	1632432151130	105	1632432211125	108
1632431342030	100	1632432151238	105	1632432211130	108
1632431342037	100	1632432151343	105	1632432211238	108
1632431342038	100	1632432151444	105	1632432211343	108
1632431342043	100	1632432151546	105	1632432211444	108
1632431342044	100			1632432211546	108
1632431342046	100				
		Cat. No. 1634 BCH	105		
Cat. No. 1509	100	1632432160718	105	Cat. No. 1652 AMPN	108
1632431510025	100	1632432160819	105	1632432630018	108
1632431510030	100	1632432160923	105	1632432630019	108
1632431510037	100	1632432161125	105	1632432630023	108
		1632432161130	105	1632432630025	108
Cat. No. 1520	101	1632432161238	105	1632432630030	108
1632431560725	101	1632432161343	105	1632432630038	108
1632431560830	101	1632432161444	105	1632432630043	108
1632431560837	101	1632432161546	105	1632432630044	108
1632431560938	101			1632432630046	108
1632431561143	101	Cat. No. 1634	106		
1632431561144	101	1632432130018	106	Cat. No. 1652 BBS	109
1632431561145	101	1632432130019	106	1632432240718	109
		1632432130023	106	1632432240819	109
Cat. No. 1621	101	1632432130025	106	1632432240923	109
1632431722019	101	1632432130030	106	1632432241125	109
1632431722023	101	1632432130038	106	1632432241130	109
1632431722025	101	1632432130043	106	1632432241238	109
1632431722030	101	1632432130044	106	1632432241343	109
		1632432130046	106	1632432241444	109
				1632432241546	109
Cat. No. 1622	102	Cat. No. 1645 BB	106		
1632431831023	102	1632432340818	106	Cat. No. 1652 BBPN	109
1632431831025	102	1632432340919	106	1632432627018	109
		1632432341123	106	1632432627019	109
Cat. No. 1627	102	1632432341125	106	1632432627023	109
1632431901720	102	1632432341230	106	1632432627025	109
1632431901740	102	1632432341338	106	1632432627030	109
		1632432341443	106	1632432627038	109
		1632432341544	106	1632432627043	109
Cat. No. 1634 AM	103	1632432711746	106	1632432627044	109
1632432110718	103			1632432627046	109
1632432110819	103	Cat. No. 1645 BH	107		
1632432110923	103	1632432350818	107	Cat. No. 1652 BHS	110
1632432111125	103	1632432350919	107	1632432250718	110
1632432111130	103	1632432351123	107	1632432250819	110
1632432111238	103	1632432351125	107	1632432250923	110
1632432111343	103	1632432351230	107	1632432251125	110
1632432111444	103	1632432351338	107	1632432251130	110
1632432111546	103	1632432351443	107	1632432251238	110

1632432251343	110	Cat. No. 1688	116	N555435256623	120
1632432251444	110	1632432591123	116	N555435256723	120
1632432251546	110	1632432591225	116	N555435256725	120
		1632432591230	116	N555435256831	120
Cat. No. 1652 BHPN	110	1632432591338	116		
1632432626018	110	1632432591443	116	Cat. No. 1567 AS-STK	120
1632432626019	110	1632432591544	116	N555435276519	120
1632432626023	110	1632432591546	116	N555435276619	120
1632432626025	110			N555435276719	120
1632432626030	110	Cat. No. 1681	116	N555435276623	120
1632432626038	110	1632432511330	116	N555435276723	120
1632432626043	110	1632432511338	116	N555435276725	120
1632432626044	110	1632432511443	116	N555435276831	120
1632432626046	110	1632432511644	116		
		1632432511746	116	Cat. No. 1567 AS	121
Cat. No. 2745	111			N555435156519	121
1632432430044	111	Cat. No. 1683	117	N555435156619	121
1632432430144	111	1632432521330	117	N555435156719	121
1632432430244	111	1632432521338	117	N555435156623	121
		1632432521443	117	N555435156723	121
Cat. No. 2746	111	1632432521644	117	N555435156725	121
1632432440044	111	1632432521746	117	N555435156831	121
1632432440144	111				
1632432440244	111	Cat. No. 3542	117	Cat. No. 1567 AS-S	121
		1632432554845	117	N555435176519	121
Cat. No. 2747	112			N555435176619	121
1632432450044	112	Cat. No. 1595/2AS	118	N555435176719	121
1632432450144	112	N555433151014	118	N555435176623	121
		N555433151016	118	N555435176723	121
Cat. No. 1591	112	N555433151017	118	N555435176725	121
1632435530414	112	N555433151117	118	N555435176831	121
1632435530416	112	N555433151018	118		
1632435530517	112	N555433151019	118	Cat. No. 1567 B	122
1632435530518	112	N555433151021	118	N555435106519	122
		N555433151022	118	N555435106619	122
Cat. No. 1592	113	N555433151023	118	N555435106719	122
1632435540414	113	N555433151024	118	N555435106623	122
1632435540416	113	N555433151057	118	N555435106723	122
1632435540517	113	N555433151025	118	N555435106725	122
1632435540518	113	N555433151058	118	N555435106831	122
		N555433151030	118		
Cat. No. 1580 BL	114	N555433151037	118	Cat. No. 1580 AS	122
1632436110619	114			N555436666519	122
1632436110723	114	Cat. No. 1605 AS	119	N555436666619	122
1632436110725	114	N555434116308	119	N555436666719	122
		N555434116310	119	N555436666623	122
Cat. No. 1581 BL	114	N555434116312	119	N555436666723	122
1632436210619	114	N555434116314	119	N555436666725	122
1632436210723	114	N555434116714	119	N555436666831	122
1632436210725	114	N555434116516	119		
		N555434116716	119	Cat. No. 1581 AS	123
Cat. No. 2100 B	115	N555434116316	119	N555436766519	123
N555436801046	115	N555434116618	119	N555436766619	123
		N555434116718	119	N555436766719	123
Cat. No. 1686	115	N555434116719	119	N555436766623	123
1632432540818	115	N555434116722	119	N555436766723	123
1632432540919	115	N555434116723	119	N555436766725	123
1632432541123	115	N555434116825	119	N555436766831	123
1632432541125	115	N555434116831	119		
1632432541230	115			Cat. No. 2350	127
1632432541338	115	Cat. No. 1567 AST	120	n555413001035	127
1632432541443	115	N555435256519	120	n555413001045	127
1632432541644	115	N555435256619	120	n555413001055	127
1632432541746	115	N555435256719	120	n555413001075	127

n555413001085	127	1632424011402	132	1632424334212	134
n555413001100	127	1632424011103	132	1632424334312	134
n555413001125	127	1632424011203	132	1632424334412	134
n555413001150	127	1632424011303	132	1632424334115	134
1632413001200	127	1632424011403	132	1632424334215	134
1632413001250	127	1632424011104	132	1632424334315	134
1632413001300	127	1632424011204	132	1632424334415	134
		1632424011304	132	1632424334117	134
		1632424011404	132	1632424334217	134
Cat. No. 2354	128	1632424011106	132	1632424334317	134
1632421052055	128	1632424011206	132	1632424334417	134
1632421052075	128	1632424011306	132	1632424334121	134
1632421052100	128	1632424011406	132	1632424334221	134
Cat. No. 2356	128	1632424011109	132	1632424334321	134
1632413103050	128	1632424011209	132	1632424334421	134
1632413103060	128	1632424011309	132		
1632413103080	128	1632424011409	132	Cat. No. 2390	135
1632413103100	128	1632424011112	132	1632426010050	135
1632413103120	128	1632424011212	132	1632426010100	135
1632413103160	128	1632424011312	132	1632426010250	135
1632413103200	128	1632424011412	132	1632426010500	135
		1632424011115	132	1632426010940	135
		1632424011215	132		
Cat. No. 2356/S	129	1632424011315	132	Cat. No. 2392	135
1632413102060	129	1632424011415	132	1632426351050	135
1632413102080	129	1632424011217	132	1632426351100	135
1632413102100	129	1632424011317	132	1632426351250	135
1632413102150	129	1632424011121	132	1632426351500	135
		1632424011221	132	1632426351940	135
Cat. No. 2360	129	1632424011321	132	1632426351950	135
1632413004100	129	1632424011421	132		
1632413004130	129			Cat. No. 2393T	136
1632413004160	129	Cat. No. 31 S	133	1632426353056	136
1632413004200	129	1632424331102	133	1632426353106	136
1632413004250	129	1632424331202	133	1632426353256	136
		1632424331302	133	1632426353506	136
		1632424331402	133	1632426353946	136
Cat. No. 2419	130	1632424331103	133	1632426353956	136
1632412021100	130	1632424331203	133		
1632412021250	130	1632424331303	133	Cat. No. 2394	137
1632412021500	130	1632424331403	133	1632426355050	137
1632412021940	130	1632424331104	133	1632426355100	137
1632412021950	130	1632424331204	133	1632426355250	137
1632412021952	130	1632424331304	133	1632426355500	137
1632412021956	130	1632424331404	133	1632426355940	137
1632412021966	130			1632426355950	137
		Cat. No. 34 S	134		
Cat. No. 2420	131	1632424334103	134	Cat. No. 2394T	137
1632412022100	131	1632424334203	134	1632426355056	137
1632412022250	131	1632424334303	134	1632426355106	137
1632412022500	131	1632424334403	134	1632426355256	137
1632412022940	131	1632424334104	134	1632426355506	137
1632412022950	131	1632424334204	134	1632426355946	137
1632412022952	131	1632424334304	134	1632426355956	137
1632412022956	131	1632424334404	134		
1632412022966	131	1632424334106	134	Cat. No. 2397	138
1632412022967	131	1632424334206	134	1632426354050	138
1632412022968	131	1632424334306	134	1632426354100	138
		1632424334406	134	1632426354250	138
Cat. No. 11 S	132	1632424334109	134	1632426354500	138
1632424011101	132	1632424334209	134	1632426354940	138
1632424011201	132	1632424334309	134	1632426354950	138
1632424011301	132	1632424334409	134		
1632424011401	132	1632424334112	134	Cat. No. 2398	138
1632424011102	132				
1632424011202	132				
1632424011302	132				

1632426009050	138	Cat. No. 8004	145	1632441503010	149
1632426009100	138	1632426219050	145	1632441503020	149
1632426009250	138	1632426219051	145	1632441503030	149
1632426009500	138	1632426219052	145	1632441503040	149
1632426009940	138	1632426219100	145	1632441503050	149
1632426009950	138	1632426219101	145	1632441503060	149
		1632426219102	145	1632441503070	149
Cat. No. 2399	139	1632426219250	145	1632441503080	149
1632426356050	139	1632426219251	145	1632441503090	149
1632426356100	139	1632426219500	145	1632441503100	149
1632426356250	139	1632426219501	145	1632441503110	149
1632426356500	139	1632426219940	145	1632441503120	149
1632426356940	139	1632426219941	145	1632441503130	149
1632426356950	139	1632426219950	145	1632441503140	149
		1632426219951	145	1632441503150	149
Cat. No. 2115	139	1632426219954	145	1632441503160	149
1632442230201	139	1632426219958	145		
1632442230202	139	1632426219966	145	Cat. No. 8121	149
1632442230206	139			1632441504080	149
9180003262	139	Cat. No. 8026	146		
		1632426371010	146	Cat. No. 8124	150
Cat. No. 8024	143	1632426371025	146	1632441512010	150
1632426207025	143	1632426371050	146	1632441512020	150
1632426207026	143	1632426371100	146	1632441512030	150
1632426207050	143	1632426371250	146	1632441512040	150
1632426207051	143			1632441512050	150
1632426207052	143	Cat. No. 8027	146	1632441512060	150
1632426207100	143	1632426372010	146	1632441512070	150
1632426207101	143	1632426372025	146	1632441512080	150
1632426207102	143	1632426372050	146	1632441512090	150
1632426207200	143	1632426372100	146	1632441512100	150
1632426207252	143	1632426372250	146	1632441512110	150
1632426207250	143			1632441512120	150
1632426207251	143	Cat. No. 8029	147	1632441512130	150
1632426207300	143	1632426374010	147	1632441512140	150
1632426207500	143	1632426374025	147	1632441512150	150
1632426207501	143	1632426374050	147	1632441512160	150
1632426207940	143	1632426374100	147		
1632426207941	143	1632426374250	147	Cat. No. 746	150
1632426207950	143			1632441746200	150
1632426207951	143	Cat. No. 8016	147	1632441746400	150
1632426207952	143	1632426222250	147	1632441746600	150
1632426207956	143	1632426222500	147	1632441746800	150
		1632426222940	147	1632441746900	150
Cat. No. 8003	144	1632426222950	147		
1632426217050	144	1632426222954	147	Cat. No. 830	151
1632426217051	144	1632426222958	147	1632441834232	151
1632426217052	144			1632441834452	151
1632426217100	144	Cat. No. 8017	148	1632441834233	151
1632426217101	144	1632426223250	148	1632441834453	151
1632426217102	144	1632426223500	148	1632441834234	151
1632426217250	144	1632426223940	148	1632441834454	151
1632426217251	144	1632426223950	148	1632441834674	151
1632426217500	144	1632426223954	148	1632441834235	151
1632426217501	144	1632426223958	148	1632441834455	151
1632426217940	144			1632441834675	151
1632426217941	144	Cat. No. 8022	148	1632441834895	151
1632426217950	144	1632426707500	148		
1632426217951	144	1632426707945	148	Cat. No. 8127	151
1632426217954	144	1632426707951	148	1632441509042	151
1632426217958	144	1632426707954	148	1632441509053	151
1632426217966	144	1632426707958	148	1632441509054	151
1632426217968	144			1632441509055	151
		Cat. No. 8120	149	1632441509065	151

1632441509075	151	Cat. No. 8173	158	Cat. No. 754	164
1632441509078	151	1632441662050	158	9180000378	164
1632441509080	151	1632441662080	158	9180000045	164
1632441509088	151			9180001256	164
1632441509090	151	Cat. No. 8232	158	9180001199	164
1632441509091	151	1632441640110	158		
				9180003230	165
Cat. No. 8128	152	Cat. No. 8233	159		
1632441510051	152	1632441641000	159	9180003264	165
1632441510062	152				
1632441510069	152	Cat. No. 7143	159	Cat. No. 832	166
1632441510073	152	N555441355232	159	9180003231	166
1632441510082	152	N555441355233	159	9180003232	166
1632441510083	152	N555441355270	159	9180003233	166
1632441510084	152	N555441330000	159	9180003234	166
1632441510114	152	1632441340060	159	9180002252	166
1632441510115	152	1632441340080	159	9180003235	166
		1632441340100	159	9180003236	166
				9180003237	166
Cat. No. 8133	152	Cat. No. 7143T	160		
1632441502050	152	N555441355218	160	Cat. No. 831	166
1632441502060	152	N555441355219	160	9180003244	166
1632441502070	152	N555441355280	160	9180003245	166
1632441502080	152	N555441330100	160	9180003246	166
1632441502110	152	1632441358061	160	9180003247	166
Cat. No. 8134	153	Cat. No. 7150L	160	Cat. No. 833	167
1632441513050	153	1632441345020	160	9180003238	167
1632441513060	153	1632441345040	160	9180001465	167
1632441513070	153	1632441345060	160	9180003239	167
1632441513080	153			9180002246	167
				9180003240	167
Cat. No. 8138JJ	153	Cat. No. 7150 V	161	9180003241	167
1632441516050	153	1632441347020	161	9180003242	167
1632441516080	153	1632441347040	161	9180003243	167
		1632441347060	161		
Cat. No. 8138JP	154	Cat. No. 7150T	161	Cat. No. 834	167
1632441517050	154	1632441349020	161	9180003248	167
1632441517080	154	1632441349040	161	9180003249	167
		1632441349060	161	9180003250	167
				9180003251	167
Cat. No. 8139	154	Cat. No. 7150 T/T	162	9180003252	167
1632441518050	154	1632441357150	162	9180003253	167
1632441518080	154	1632441357250	162	9180003254	167
				9180003255	167
Cat. No. 8146	155	Cat. No. 7140	162	Cat. No. 8364	171
1632441521050	155	9180003204	162	1632441612950	171
1632441521080	155				
		N555442635022	163		
				Cat. No. 7110	171
Cat. No. 8147	155			1632442505200	171
1632441522050	155	9180003223	163	1632442505300	171
1632441522080	155	9180003224	163	1632442505400	171
		9180003225	163	1632442505500	171
		9180003226	163	1632442505700	171
		9180003227	163		
		9180003228	163		
		9180003229	163		
				Cat. No. 8249	172
Cat. No. 8148	156			1632442498176	172
1632441533050	156	Cat. No. 948	164	1632442498266	172
1632441533080	156	9180000829	164	1632442498416	172
		9180001201	164		
		9180001202	164		
Cat. No. 8153	156	9180002505	164	Cat. No. 8251	172
1632441536050	156			1632442506202	172
1632441536080	156			1632442506205	172
Cat. No. 8156	157				
1632443813080	157				
Cat. No. 8165	157				
1632441659080	157				

1632442506302	172	1632442508205	176	1632441106030	181
1632442506305	172	1632442508305	176	Cat. No. 8757 B	181
1632442506402	172	1632442508405	176	1632441106050	181
1632442506405	172	1632442508705	176		
1632442506705	172	1632442508995	176	Cat. No. 8757 C	182
1632442506995	172			1632441106100	182
Cat. No. 8252	173	Cat. No. 8260	176		
1632442507173	173	1632442516202	176	Cat. No. 8746	182
1632442507176	173	1632442516205	176	1632441617940	182
1632442507202	173	1632442516302	176	1632441617950	182
1632442507263	173	1632442516305	176		
1632442507402	173	1632442516405	176	Cat. No. 8293	183
1632442507416	173	1632442516605	176	1632442101070	183
1632442507205	173			1632442101100	183
1632442507305	173	Cat. No. 8261	177	1632442101200	183
1632442507405	173	1632442517173	177	1632442101500	183
1632442507705	173	1632442517176	177	1632442101940	183
		1632442517202	177		
		1632442517205	177	Cat. No. 8308	183
Cat. No. 7112	173	1632442517263	177	1632442108090	183
1632442515200	173	1632442517266	177		
1632442515300	173	1632442517302	177	Cat. No. 8504	184
1632442515400	173	1632442517305	177	1632442110940	184
1632442515500	173	1632442517416	177		
1632442515600	173	1632442517605	177		
				Cat. No. 8250	184
Cat. No. 7114	174	Cat. No. 8269	177	1632442501505	184
1632442511200	174	1632442540416	177	1632442501995	184
1632442511300	174				
1632442511400	174	Cat. No. 8282	178	Cat. No. 7119	185
1632442511600	174	1632442532070	178	1632442502300	185
1632442511800	174	1632442532100	178	1632442502400	185
		1632442532200	178		
Cat. No. 8256	174	1632442532500	178	Cat. No. 8720	185
1632442512202	174	1632442532940	178	1632442509305	185
1632442512205	174			1632442509705	185
1632442512302	174	Cat. No. 8265	178	1632442509995	185
1632442512305	174	1632442525050	178		
1632442512402	174	1632442525080	178	Cat. No. 8723	186
1632442512405	174			1632442514305	186
1632442512605	174	Cat. No. 8321	179	1632442514405	186
		1632441404302	179	1632442514605	186
Cat. No. 8257	175	1632441404303	179		
1632442513173	175	1632441404502	179	Cat. No. 8722	186
1632442513176	175	1632441404505	179	1632442521305	186
1632442513202	175	1632441404755	179	1632442521405	186
1632442513205	175	1632441404995	179		
1632442513263	175			Cat. No. 8266	187
1632442513266	175	Cat. No. 8730	179	1632442526080	187
1632442513302	175	1632442103100	179		
1632442513305	175	1632442103200	179	Cat. No. 8267	187
1632442513402	175	1632442103500	179	1632442527080	187
1632442513416	175	1632442103940	179		
1632442513605	175			Cat. No. 2442	188
		Cat. No. 8730 F	180	1632415106500	188
Cat. No. 8281	175	1632442104100	180	1632415106940	188
1632442531030	175	1632442104200	180	1632415106950	188
1632442531070	175	1632442104500	180		
1632442531100	175	1632442104940	180	Cat. No. 7235	188
1632442531200	175			1632443001150	188
1632442531500	175	Cat. No. 7790	180	1632443001250	188
1632442531940	175	1632444001000	180	1632443001500	188
Cat. No. 8253	176	Cat. No. 8757 A	181	Cat. No. 7236	189

1632443002100	189	1632426615300	194
1632443002150	189	1632426615301	194
1632443002250	189		
1632443002500	189	9180003256	195
		9180003257	195
Cat. No. 7238	189	9180003258	195
1632443003100	189		
1632443003101	189	9180003259	195
		9180003260	195
Cat. No. 7246	190	9180003261	195
1632443008035	190		
1632443008060	190	1396554211800	199
		1396554212100	199
Cat. No. 2772	190	1396554211900	199
1632447702300	190	1396554212200	199
Cat. No. 661	191	1396551210101	200
1632449661954	191	1396551210103	200
1632449661958	191	1396551210102	200
1632449661966	191	1396551210104	200
1632449661968	191		
		1396551210602	201
Cat. No. 654	191	1396551210603	201
1632449654500	191	1396551210601	201
1632449654940	191	1396551210604	201
1632449654950	191		
		1396551210105	202
Cat. No. 651	192	1396551210107	202
1632449631100	192	1396551210106	202
1632449631250	192	1396551210108	202
1632449651500	192		
1632449651940	192	1396551310101	203
1632449651950	192	1396551310102	203
1632449651952	192	1396551310103	203
1632449651954	192		
1632449671954	192	1396551316286	203
1632449671958	192	1396551316287	203
1632449671966	192	1396551316288	203
Cat. No. 8430 MS	192	1396551410100	204
1632443117300	192	1396551110301	204
1632443117420	192	1396551110302	204
1632443117535	192		
		1396551110100	205
Cat. No. 8430 MR	193	1396551110101	205
1632443116300	193		
		1396553710103	205
Cat. No. 8430 LZ	193	1396553710104	205
1632443112080	193		
1632443113110	193	1396551210501	206
Cat. No. 8430L	194	1396553110205	206
1632443111100	194	1396553110206	206
Cat. No. 610	194	1396529110100	207
1632426606100	194		
1632426610101	194		
1632426610102	194		
1632426610301	194		
1632426610302	194		
1632426610304	194		
1632426610310	194		
1632426615100	194		



KAVALIERGLASS, A.S.

REGISTERED OFFICE: KŘÍŽOVÁ 1018/6 | 150 00 PRAHA 5 | CZECH REPUBLIC

PRODUCTION PLANT: SKLÁŘSKÁ 359 | 285 06 SÁZAVA | CZECH REPUBLIC

KAVALIER@KAVALIER.CZ

WWW.KAVALIER.CZ | © 2020

EDICE 6